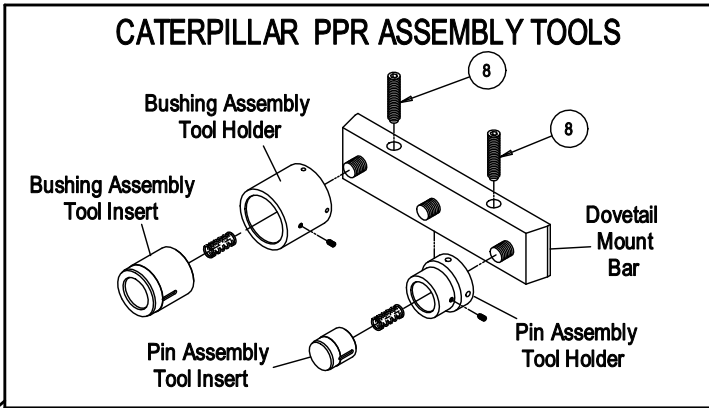
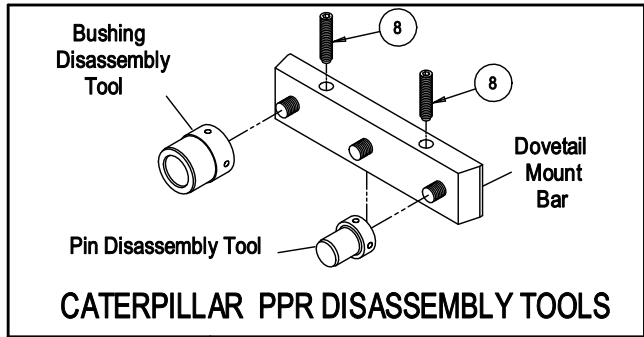
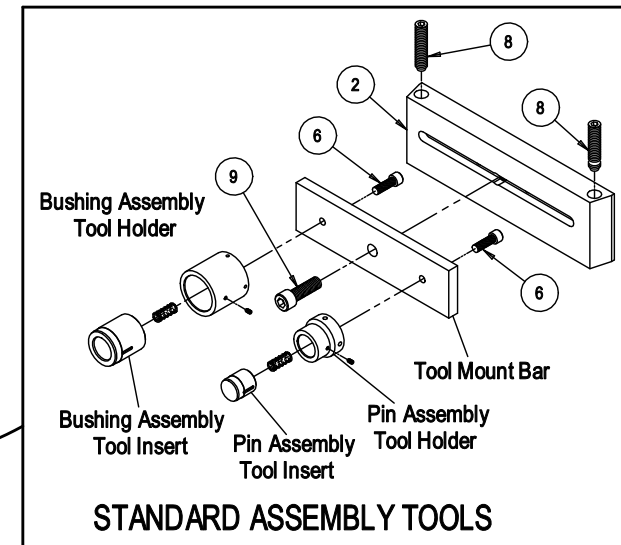
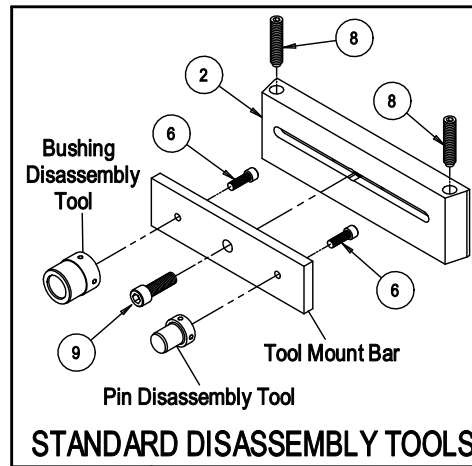
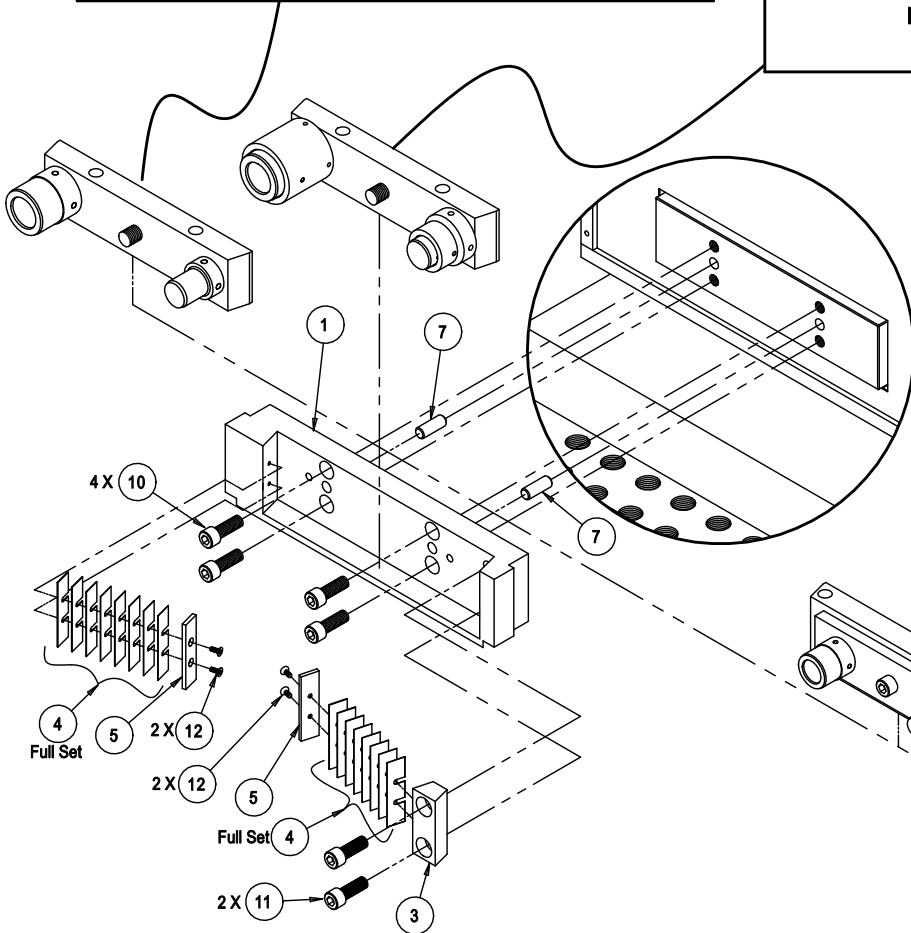


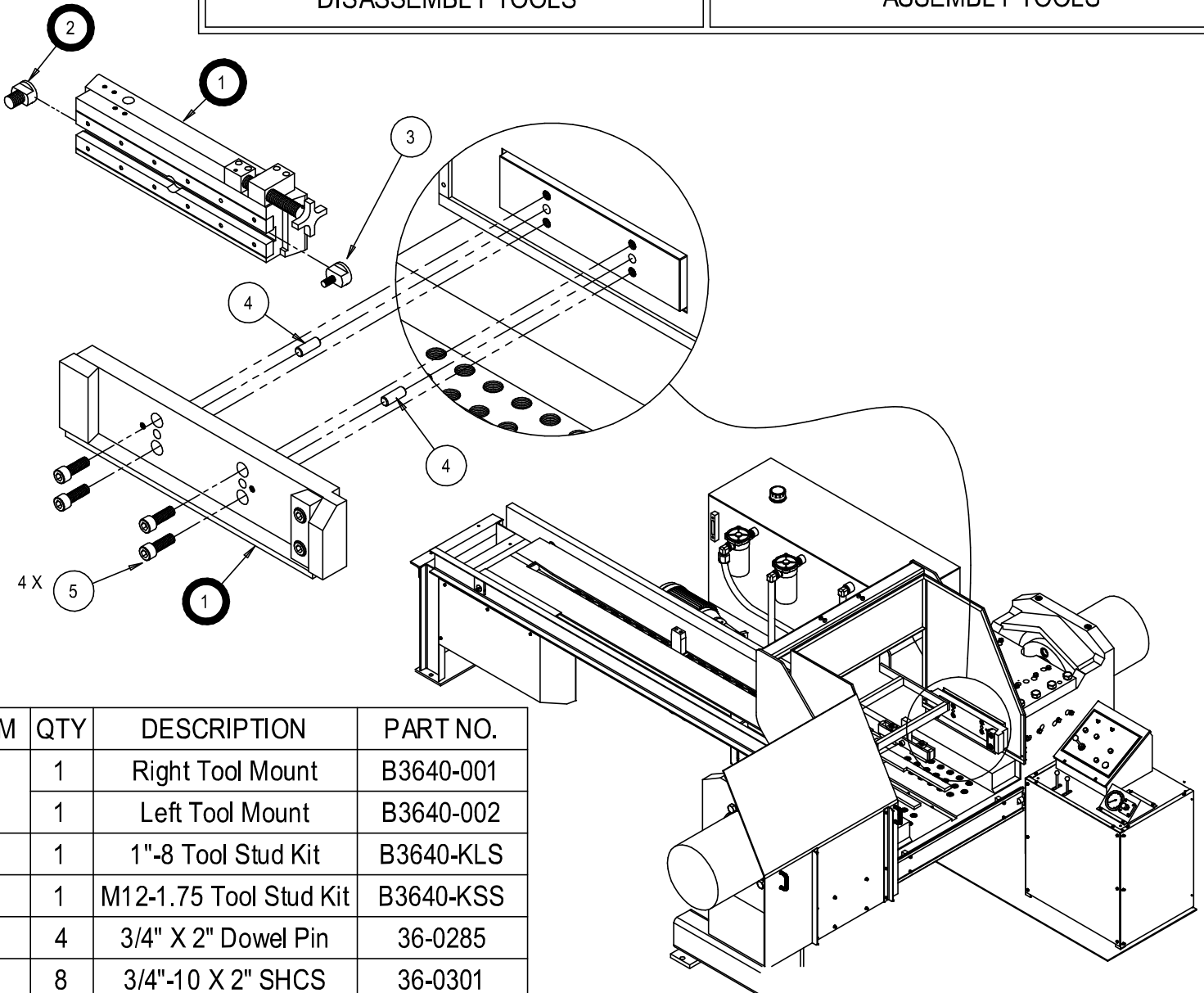
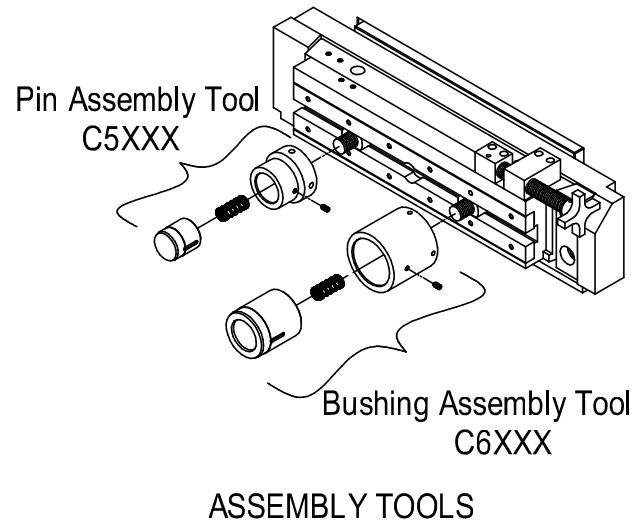
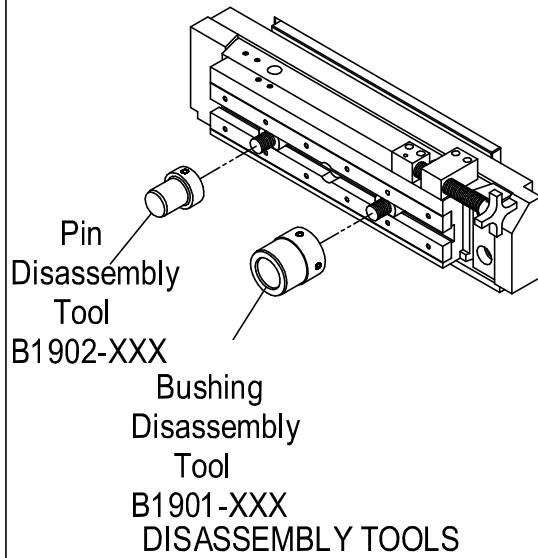
# "C"-Style Tooling Identification



| ITEM | QTY | DESCRIPTION             | PART NO.  |
|------|-----|-------------------------|-----------|
| 1    | 1   | Right Tool Mount        | D1551-001 |
|      | 1   | Left Tool Mount         | D1551-002 |
| 2    | 2   | Slotted Tool Holder     | C1331     |
| 3    | 1   | Tool Holder Clamp       | B2831     |
| 4    | 2   | Shim Set                | A2593     |
| 5    | 2   | Shim Clamp              | A2595     |
|      | 8   | M12 - 1.75 X 40 SHCS    | 36-0259   |
|      | 8   | M12-1.75 X 55 SHCS      | 36-0371   |
| 7    | 4   | 3/4" X 2" Dowel Pin     | 36-0285   |
| 8    | 4   | 3/4"-16 X 3" SHSS 1/2DP | 36-0291   |
| 9    | 2   | 3/4"-10 X 2-1/4" SHCS   | 36-0292   |
| 10   | 8   | 3/4"-10 X 2" SHCS       | 36-0301   |
| 11   | 4   | 3/4"-16 X 2-1/4" SHCS   | 36-0328   |
| 12   | 8   | 1/4"-20 X 3/4" FHCS     | 36-0346   |



# "C"-Style Tooling Identification



| ITEM | QTY | DESCRIPTION            | PART NO.  |
|------|-----|------------------------|-----------|
| 1    | 1   | Right Tool Mount       | B3640-001 |
|      | 1   | Left Tool Mount        | B3640-002 |
| 2    | 1   | 1"-8 Tool Stud Kit     | B3640-KLS |
| 3    | 1   | M12-1.75 Tool Stud Kit | B3640-KSS |
| 4    | 4   | 3/4" X 2" Dowel Pin    | 36-0285   |
| 5    | 8   | 3/4"-10 X 2" SHCS      | 36-0301   |



**WTC Machinery  
C-Style Tool Chart**

2/13/2024

| Make | Model   | Comments         | Type     | Pin Dia. | Pin Len. | Bush. Dia. | Bush. Len. | Pitch | Pin Disass'y Tool (2) | Bushing Disassy Tool (2) | Master Spacer (2) | Pin Assy Holder (2) | Pin Assy Insert (2) | Full Pin Assy Tool (2) | Bushing Assy Holder (2) | Bushing Assy Insert (2) | Full Bushing Assy Tool (2) | Pin Shim (4) | Spring (4) | WTC Tool Set | WTC Mount Bar (2) | WTC Saddle (1) | Track Master Tool Set | T M Mount Bar (2) | T M Saddle (1) | Tool Set No Saddle or Toolbars |  |
|------|---------|------------------|----------|----------|----------|------------|------------|-------|-----------------------|--------------------------|-------------------|---------------------|---------------------|------------------------|-------------------------|-------------------------|----------------------------|--------------|------------|--------------|-------------------|----------------|-----------------------|-------------------|----------------|--------------------------------|--|
| CASE | 350     |                  | FLUSH    | 0.993    | 5.220    | 1.500      | 3.180      | 5.875 | B1902-251             | B1901-158                | N/A               | B1904-596           | B1903-566           | C5068                  | B1904-595               | B1903-565               | C6100A                     |              | 56-0146    | A2392-360    | B1900-033         | D1054-021      |                       |                   |                | 22-360                         |  |
| CASE | 400     |                  | FLUSH    | 0.993    | 5.220    | 1.500      | 3.180      | 5.875 | B1902-251             | B1901-158                | N/A               | B1904-596           | B1903-566           | C5068                  | B1904-595               | B1903-565               | C6100A                     |              | 56-0146    | A2392-360    | B1900-033         | D1054-021      |                       |                   |                | 22-360                         |  |
| CASE | 420     |                  | FLUSH    | 0.993    | 5.220    | 1.500      | 3.180      | 5.875 | B1902-251             | B1901-158                | N/A               | B1904-596           | B1903-566           | C5068                  | B1904-595               | B1903-565               | C6100A                     |              | 56-0146    | A2392-360    | B1900-033         | D1054-021      |                       |                   |                | 22-360                         |  |
| CASE | 450     |                  |          | 1.063    | 5.375    | 1.625      | 3.326      | 5.875 | B1902-088             | 1901-156                 | N/A               | B1904-598           | B1903-568           | C5225                  | B1904-597               | B1903-567               | C6274                      |              | 56-0146    | A2392-361    | B1900-033         | D1054-021      |                       |                   |                | 22-361                         |  |
| CASE | 500     |                  | FLUSH    | 0.993    | 5.220    | 1.500      | 3.180      | 5.875 | B1902-251             | B1901-158                | N/A               | B1904-596           | B1903-566           | C5068                  | B1904-595               | B1903-565               | C6100A                     |              | 56-0146    | A2392-360    | B1900-033         | D1054-021      |                       |                   |                | 22-360                         |  |
| CASE | 550     |                  | SALT     | 1.129    | 6.575    | 1.996      | 4.295      | 6.290 | B1902-213             | B1901-066                | 9002010           | B1904-314           | B1903-312           | C5144                  | B1904-117               | B1903-357               | C6199A                     | 204050       | 56-0146    | A2392-267    | B1900-017         | TBA            | A2656-267             | B2440-006         | 40989          | 22-267                         |  |
| CASE | 550     | JAK0013968 & DN  | SEALED   | 1.129    | 6.457    | 1.850      | 4.598      | 5.998 | B1902-189             | B1901-107                | B1905-204         | B1904-270           | B1903-312           | C5046                  | B1904-271               | B1903-313               | C6198                      | 204050       | 56-0146    | A2392-231    | TBA               | TBA            | A2656-231             | B2474-004         | 41936          | 22-231                         |  |
| CASE | 550     |                  | SEALED   | 1.129    | 6.575    | 1.996      | 4.800      | 6.290 | B1902-212             | B1901-066                | 9002009           | B1904-314           | B1903-312           | C5144                  | B1904-117               | B1903-356               | C6017A                     | 204050       | 56-0146    | A2392-258    | B1900-017         | TBA            | A2656-258             | B2440-006         | 40989          | 22-258                         |  |
| CASE | 560     |                  | FLUSH    | 0.993    | 5.220    | 1.500      | 3.180      | 5.875 | B1902-251             | B1901-158                | N/A               | B1904-596           | B1903-566           | C5068                  | B1904-595               | B1903-565               | C6100A                     |              | 56-0146    | A2392-360    | B1900-033         | D1054-021      |                       |                   |                | 22-360                         |  |
| CASE | 600     |                  |          | 1.063    | 5.375    | 1.625      | 3.326      | 5.875 | B1902-088             | 1901-156                 | N/A               | B1904-598           | B1903-568           | C5225                  | B1904-597               | B1903-567               | C6274                      |              | 56-0146    | A2392-361    | B1900-033         | D1054-021      |                       |                   |                | 22-361                         |  |
| CASE | 650     |                  | SALT     | 1.318    | 7.224    | 2.119      | 4.312      | 6.735 | B1902-129             | B1901-129                | N/A               | B1904-489           | B1903-404           | C5158                  | B1904-609               | B1903-044               | C6239                      |              | 56-0146    | A2392-368    | B1900-017         | D1054-003      |                       |                   |                | 22-368                         |  |
| CASE | 650     |                  | SEALED   | 1.318    | 7.224    | 2.119      | 4.862      | 6.734 | B1902-035             | B1901-071                | N/A               | B1904-608           | B1903-404           | C5011C                 | B1904-607               | B1903-535               | C6275                      |              | 56-0146    | A2392-367    | B1900-017         | D1054-003      |                       |                   |                | 22-367                         |  |
| CASE | 700     | S/N 7070351 & DN | RECESSED | 1.248    | 6.500    | 1.871      | 4.640      | 6.250 | B1902-136             | B1901-155                | N/A               | B1904-602           | B1903-570           | C5056C                 | B1904-601               | B1903-569               | C6093                      |              | 56-0146    | A2392-364    | B1900-011         | D1054-015      |                       |                   |                | 22-364                         |  |
| CASE | 750     |                  | RECESSED | 1.375    | 6.940    | 1.995      | 4.640      | 6.250 | B1902-262             | B1901-162                | N/A               | B1904-600           | B1903-526           | C5069A                 | B1904-599               | B1903-536               | C6088                      |              | 56-0146    | A2392-363    | B1900-011         | D1054-015      |                       |                   |                | 22-363                         |  |
| CASE | 800     |                  | RECESSED | 1.248    | 6.500    | 1.871      | 4.640      | 6.250 | B1902-136             | B1901-155                | N/A               | B1904-602           | B1903-570           | C5056C                 | B1904-601               | B1903-569               | C6093                      |              | 56-0146    | A2392-364    | B1900-011         | D1054-015      |                       |                   |                | 22-364                         |  |
| CASE | 850     |                  | SALT     | 1.318    | 7.220    | 2.119      | 4.220      | 6.250 | B1902-190             | B1901-079                | N/A               | B1904-278           | B1903-265           | C5011A                 | B1904-229               | B1903-314               | C6164                      | 204050       | 56-0146    | A2392-233A   | B1900-011         | D1054-015      | A2656-233             | B2441-002         | 53071          | 22-233A                        |  |
| CASE | 850     |                  | SALT     | 1.320    | 7.224    | 2.122      | 4.311      | 6.735 | B1902-193             | B1901-079                |                   | B1904-118           | B1903-113           | C5401                  | B1904-678               | B1903-044               | C6401                      |              |            |              |                   |                |                       |                   |                |                                |  |
| CASE | 850     |                  | SEALED   | 1.375    | 6.940    | 2.000      | 4.700      | 6.250 | B1902-094             | B1901-162                | N/A               | B1904-604           | B1903-539           | C5009                  | B1904-603               | B1903-571               | C6090                      |              | 56-0146    | A2392-365    | B1900-011         | D1054-015      |                       |                   |                | 22-365                         |  |
| CASE | 1000    | HD               | RECESSED | 1.375    | 6.940    | 1.995      | 4.640      | 6.250 | B1902-262             | B1901-162                | N/A               | B1904-600           | B1903-526           | C5069A                 | B1904-599               | B1903-536               | C6088                      |              | 56-0146    | A2392-363    | B1900-011         | D1054-015      |                       |                   |                | 22-363                         |  |
| CASE | 1000    |                  | RECESSED | 1.248    | 6.500    | 1.871      | 4.640      | 6.250 | B1902-136             | B1901-155                | N/A               | B1904-602           | B1903-570           | C5056C                 | B1904-601               | B1903-569               | C6093                      |              | 56-0146    | A2392-364    | B1900-011         | D1054-015      |                       |                   |                | 22-364                         |  |
| CASE | 1000    |                  | SEALED   | 1.375    | 6.940    | 2.000      | 4.700      | 6.250 | B1902-094             | B1901-162                | N/A               | B1904-604           | B1903-539           | C5009                  | B1904-603               | B1903-571               | C6090                      |              | 56-0146    | A2392-365    | B1900-011         | D1054-015      |                       |                   |                | 22-365                         |  |
| CASE | 1150    |                  | RECESSED | 1.375    | 6.940    | 1.995      | 4.640      | 6.250 | B1902-262             | B1901-162                | N/A               | B1904-600           | B1903-526           | C5069A                 | B1904-599               | B1903-536               | C6088                      |              | 56-0146    | A2392-363    | B1900-011         | D1054-015      |                       |                   |                | 22-363                         |  |
| CASE | 1150    |                  | SALT     | 1.442    | 8.150    | 2.316      | 5.071      | 6.906 | B1901-197             | B1901-162                |                   | B1904-166           | B1903-061           | C5402                  | B1904-679               | B1903-141               | C6402                      |              |            |              |                   |                |                       |                   |                |                                |  |
| CASE | 1150    |                  | SEALED   | 1.375    | 6.940    | 2.000      | 4.700      | 6.250 | B1902-094             | B1901-162                | N/A               | B1904-604           | B1903-539           | C5009                  | B1904-603               | B1903-571               | C6090                      |              | 56-0146    | A2392-365    | B1900-011         | D1054-015      |                       |                   |                | 22-365                         |  |
| CASE | 1450    |                  | SEALED   | 1.752    | 9.075    | 2.620      | 6.205      | 8.020 | B1902-098             | B1901-149                | N/A               | B1904-390           | B1903-426           | C5070                  | B1904-610               | B1903-435               | C6095                      |              | 56-0146    | A2392-338    | B1900-035         | D1054-002      |                       |                   |                | 22-338                         |  |
| CASE | 1550    |                  | SALT     | 1.753    | 9.060    | 2.620      | 5.640      | 8.020 | B1902-082             | B1901-027                | N/A               | B1904-281           | B1903-117           | C5006D                 | B1904-054               | B1903-324               | C6132A                     | A2904-001    | 56-0146    | A2392-232    | B1900-035         | D1054-002      | A2656-232             | B2158-020         | 52877          | 22-232                         |  |
| CASE | 1550    |                  | SEALED   | 1.753    | 9.060    | 2.620      | 6.200      | 8.020 | B1902-196             | B1901-069                | B1905-208         | B1904-280           | B1903-057           | C5226                  | B1904-054               | B1903-323               | C6197A                     | A2904-001    | 56-0146    | A2392-229    | B1900-035         | D1054-002      | A2656-229             | B2185-020         | 52877-001      | 22-229                         |  |
| CASE | 1650    |                  | SALT     | 1.512    | 9.370    | 2.500      | 5.173      | 7.480 | B1902-194             | B1901-016                |                   | B1904-180           | B1903-181           | C5403                  | B1904-680               | B1903-358               | C6403                      |              |            |              |                   |                |                       |                   |                |                                |  |
| CASE | 1150B   |                  | SEALED   | 1.500    | 8.100    | 2.185      | 5.700      | 6.678 | B1902-169             | B1901-055                | B1905-203         | B1904-180           | B1903-311           | C5067                  | B1904-269               | B1903-310               | C6097                      | A2904-001    | 56-0146    | A2392-073    | B1900-034         | TBA            | A2656-073             | B2440-013         | 41932          | 22-073                         |  |
| CASE | 1150D   | 7310051 & PRIOR  | SEALED   | 1.440    | 8.110    | 2.314      | 5.563      | 6.678 | B1902-033             | B1901-076                | N/A               | B1904-606           | B1903-431           | C5052B                 | B1904-504               | B1903-439               | C6191                      |              | 56-0146    | A2392-366    | B1900-034         | D1054-020      |                       |                   |                | 22-366                         |  |
| CASE | 1150D   | 7310051 & PRIOR  | SALT     | 1.440    | 8.110    | 2.314      | 5.070      | 6.678 | B1902-169             | B1901-109                | N/A               | B1904-249           | B1903-321           | C5052A                 | B1904-279               | B1903-322               | C6074                      | A2904-001    | 56-0146    | A2392-227    | B1900-034         | D1054-020      | A2656-227             | B2440-013         | D1281-020      | 22-227                         |  |
| CASE | 1150E   |                  | SEALED   | 1.440    | 8.110    | 2.314      | 5.563      | 6.678 | B1902-033             | B1901-076                | N/A               | B1904-606           | B1903-431           | C5052B                 | B1904-504               | B1903-439               | C6191                      |              | 56-0146    | A2392-366    | B1900-034         | D1054-020      |                       |                   |                | 22-366                         |  |
| CASE | 1150ELT |                  | SALT     | 1.442    | 8.150    | 2.316      | 5.071      | 6.906 | B1901-197             | B1901-162                |                   | B1904-166           | B1903-061           | C5402                  | B1904-679               | B1903-141               | C6402                      |              |            |              |                   |                |                       |                   |                |                                |  |
| CASE | 1155D   |                  | SALT     | 1.440    | 8.110    | 2.314      | 5.070      | 6.678 | B1902-169             | B1901-109                | N/A               | B1904-249           | B1903-321           | C5052A                 | B1904-279               | B1903-322               | C6074                      | A2904-001    | 56-0146    | A2392-227    | B1900-034         | D1054-020      | A2656-227             | B2440-013         | D1281-020      | 22-227                         |  |
| CASE | 1155D   | 7311001 & PRIOR  | SEALED   | 1.440    | 8.110    | 2.314      | 5.563      | 6.678 | B1902-033             | B1901-076                | N/A               | B1904-606           | B1903-431           | C5052B                 | B1904-504               | B1903-439               | C6191                      |              | 56-0146    | A2392-366    | B1900-034         | D1054-020      |                       |                   |                | 22-366                         |  |
| CASE | 1155E   | 7311001 & PRIOR  | SALT     | 1.440    | 8.110    | 2.314      | 5.070      | 6.678 | B1902-169             | B1901-109                | N/A               | B1904-249           | B1903-321           | C5052A                 | B1904-279               | B1903-322               | C6074                      | A2904-001    | 56-0146    | A2392-227    | B1900-034         | D1054-020      | A2656-227             | B2440-013         | D1281-020      | 22-227                         |  |
| CASE | 1155E   |                  | SALT     | 1.440    | 8.110    | 2.314      | 5.070      | 6.678 | B1902-169             | B1901-109                | N/A               | B1904-249           | B1903-321           | C5052A                 | B1904-279               | B1903-322               | C6074                      | A2904-001    | 56-0146    | A2392-227    | B1900-034         | D1054-020      | A2656-227             | B2440-013         | D1281-020      | 22-227                         |  |



### WTC Machinery C-Style Tool Chart

2/13/2024

| Make | Model   | Comments            | Type   | Pin Dia. | Pin Len. | Bush. Dia. | Bush. Len. | Pitch | Pin Disass'y Tool (2) | Bushing Disass'y Tool (2) | Master Spacer (2) | Pin Assy Holder (2) | Pin Assy Insert (2) | Full Pin Assy Tool (2) | Bushing Assy Holder (2) | Bushing Assy Insert (2) | Full Bushing Assy Tool (2) | Pin Shim (4) | Spring (4) | WTC Tool Set | WTC Mount Bar (2) | WTC Saddle (1) | Track Master Tool Set | T M Mount Bar (2) | T M Saddle (1) | Tool Set No Saddle or Toolbars |
|------|---------|---------------------|--------|----------|----------|------------|------------|-------|-----------------------|---------------------------|-------------------|---------------------|---------------------|------------------------|-------------------------|-------------------------|----------------------------|--------------|------------|--------------|-------------------|----------------|-----------------------|-------------------|----------------|--------------------------------|
| CASE | 1155E   |                     | SEALED | 1.440    | 8.110    | 2.314      | 5.563      | 6.678 | B1902-033             | B1901-076                 | N/A               | B1904-606           | B1903-431           | C5052B                 | B1904-504               | B1903-439               | C6191                      |              | 56-0146    | A2392-366    | B1900-034         | D1054-020      |                       |                   |                | 22-366                         |
| CASE | 1450B   |                     | SALT   | 1.753    | 9.060    | 2.620      | 5.640      | 8.020 | B1902-082             | B1901-027                 | N/A               | B1904-281           | B1903-117           | C5006D                 | B1904-054               | B1903-324               | C6132A                     | A2904-001    | 56-0146    | A2392-232    | B1900-035         | D1054-002      | A2656-232             | B2158-020         | 52877          | 22-232                         |
| CASE | 1450B   |                     | SEALED | 1.753    | 9.060    | 2.620      | 6.200      | 8.020 | B1902-196             | B1901-069                 | B1905-208         | B1904-280           | B1903-057           | C5226                  | B1904-054               | B1903-323               | C6197A                     | A2904-001    | 56-0146    | A2392-229    | B1900-035         | D1054-002      | A2656-229             | B2185-020         | 52877-001      | 22-229                         |
| CASE | 1455B   |                     | SALT   | 1.753    | 9.060    | 2.620      | 5.640      | 8.020 | B1902-082             | B1901-027                 | N/A               | B1904-281           | B1903-117           | C5006D                 | B1904-054               | B1903-324               | C6132A                     | A2904-001    | 56-0146    | A2392-232    | B1900-035         | D1054-002      | A2656-232             | B2158-020         | 52877          | 22-232                         |
| CASE | 1455B   |                     | SEALED | 1.753    | 9.060    | 2.620      | 6.200      | 8.020 | B1902-196             | B1901-069                 | B1905-208         | B1904-280           | B1903-057           | C5226                  | B1904-054               | B1903-323               | C6197A                     | A2904-001    | 56-0146    | A2392-229    | B1900-035         | D1054-002      | A2656-229             | B2185-020         | 52877-001      | 22-229                         |
| CASE | 1650ELT |                     | SALT   | 1.512    | 9.370    | 2.500      | 5.173      | 7.480 | B1902-194             | B1901-016                 |                   | B1904-180           | B1903-181           | C5403                  | B1904-680               | B1903-358               | C6403                      |              |            |              |                   |                |                       |                   |                |                                |
| CASE | 2050M   |                     | SALT   | 1.754    | 9.055    | 2.624      | 5.785      | 7.984 | B1902-002             | B1901-149                 |                   | B1904-153           | B1903-238           | C5400                  | B1904-138               | B1903-219               | C6400                      |              |            |              |                   |                |                       |                   |                |                                |
| CASE | 310G    |                     | FLUSH  | 0.993    | 5.220    | 1.500      | 3.180      | 5.875 | B1902-251             | B1901-158                 | N/A               | B1904-596           | B1903-566           | C5068                  | B1904-595               | B1903-565               | C6100A                     |              | 56-0146    | A2392-360    | B1900-033         | D1054-021      |                       |                   |                | 22-360                         |
| CASE | 350B    |                     | SEALED | 0.994    | 5.219    | 1.500      | 3.359      | 5.875 | B1902-251             | B1901-158                 | N/A               | B1904-596           | B1903-566           | C5068                  | B1904-595               | B1903-565               | C6100A                     |              | 56-0146    | A2392-360    | B1900-033         | D1054-021      |                       |                   |                | 22-360                         |
| CASE | 450A    | S/N 3030801 & UP    | SEALED | 1.250    | 6.540    | 1.875      | 4.310      | 6.000 | B1902-262             | B1901-162                 | N/A               | B1904-600           | B1903-526           | C5069A                 | B1904-599               | B1903-536               | C6088                      |              | 56-0146    | A2392-362    | B1900-012         | TBA            |                       |                   |                | 22-362                         |
| CASE | 450B    |                     | SEALED | 1.250    | 6.540    | 1.875      | 4.310      | 6.000 | B1902-262             | B1901-162                 | N/A               | B1904-600           | B1903-526           | C5069A                 | B1904-599               | B1903-536               | C6088                      |              | 56-0146    | A2392-362    | B1900-012         | TBA            |                       |                   |                | 22-362                         |
| CASE | 450C    |                     | SALT   | 1.129    | 6.460    | 1.850      | 4.090      | 6.000 | B1902-193             | B1901-107                 | N/A               | B1904-270           | B1903-312           | C5046                  | B1904-271               | B1903-317               | C6034                      | 204050       | 56-0146    | A2392-228    | TBA               | TBA            | A2392-228             | B2441-01          | 41936          | 22-228                         |
| CASE | 450C    |                     | SEALED | 1.129    | 6.457    | 1.850      | 4.598      | 5.998 | B1902-189             | B1901-107                 | B1905-204         | B1904-270           | B1903-312           | C5046                  | B1904-271               | B1903-313               | C6198                      | 204050       | 56-0146    | A2392-231    | TBA               | TBA            | A2656-231             | B2474-004         | 41936          | 22-231                         |
| CASE | 455C    |                     | SALT   | 1.129    | 6.460    | 1.850      | 4.090      | 6.000 | B1902-193             | B1901-107                 | N/A               | B1904-270           | B1903-312           | C5046                  | B1904-271               | B1903-317               | C6034                      | 204050       | 56-0146    | A2392-228    | TBA               | TBA            | A2392-228             | B2441-01          | 41936          | 22-228                         |
| CASE | 550E    |                     | SALT   | 1.129    | 6.575    | 1.996      | 4.295      | 6.290 | B1902-213             | B1901-066                 | 9002010           | B1904-314           | B1903-312           | C5144                  | B1904-117               | B1903-357               | C6199A                     | 204050       | 56-0146    | A2392-267    | B1900-017         | TBA            | A2656-267             | B2440-006         | 40989          | 22-267                         |
| CASE | 550E    |                     | SEALED | 1.129    | 6.575    | 1.996      | 4.800      | 6.290 | B1902-212             | B1901-066                 | 9002009           | B1904-314           | B1903-312           | C5144                  | B1904-117               | B1903-356               | C6017A                     | 204050       | 56-0146    | A2392-258    | B1900-017         | TBA            | A2656-258             | B2440-006         | 40989          | 22-258                         |
| CASE | 550G    |                     | SALT   | 1.129    | 6.575    | 1.996      | 4.295      | 6.290 | B1902-213             | B1901-066                 | 9002010           | B1904-314           | B1903-312           | C5144                  | B1904-117               | B1903-357               | C6199A                     | 204050       | 56-0146    | A2392-267    | B1900-017         | TBA            | A2656-267             | B2440-006         | 40989          | 22-267                         |
| CASE | 550G    | w/ Floating Bushing | SEALED | 1.129    | 6.575    | 1.996      | 4.795      | 6.290 | B1902-212             | B1901-066                 | 9002009           | B1904-314           | B1903-312           | C5144                  | B1904-117               | B1903-356               | C6017A                     | 204050       | 56-0146    | A2392-258    | B1900-017         | TBA            | A2656-258             | B2440-006         | 40989          | 22-258                         |
| CASE | 550L    |                     | SALT   | 1.129    | 6.575    | 1.996      | 4.295      | 6.290 | B1902-213             | B1901-066                 | 9002010           | B1904-314           | B1903-312           | C5144                  | B1904-117               | B1903-357               | C6199A                     | 204050       | 56-0146    | A2392-267    | B1900-017         | TBA            | A2656-267             | B2440-006         | 40989          | 22-267                         |
| CASE | 850B    |                     | SEALED | 1.375    | 6.940    | 2.000      | 4.700      | 6.250 | B1902-094             | B1901-162                 | N/A               | B1904-604           | B1903-539           | C5009                  | B1904-603               | B1903-571               | C6090                      |              | 56-0146    | A2392-365    | B1900-011         | D1054-015      |                       |                   |                | 22-365                         |
| CASE | 850D    |                     | SALT   | 1.318    | 7.224    | 2.119      | 4.312      | 6.735 | B1902-129             | B1901-129                 | N/A               | B1904-489           | B1903-404           | C5158                  | B1904-609               | B1903-044               | C6239                      |              | 56-0146    | A2392-368    | B1900-017         | D1054-003      |                       |                   |                | 22-368                         |
| CASE | 850D    |                     | SEALED | 1.318    | 7.224    | 2.119      | 4.862      | 6.734 | B1902-035             | B1901-071                 | N/A               | B1904-608           | B1903-404           | C5011C                 | B1904-607               | B1903-535               | C6275                      |              | 56-0146    | A2392-367    | B1900-017         | D1054-003      |                       |                   |                | 22-367                         |
| CASE | 850E    | AFTER 4-1-89        | SALT   | 1.318    | 7.224    | 2.119      | 4.312      | 6.735 | B1902-129             | B1901-129                 | N/A               | B1904-489           | B1903-404           | C5158                  | B1904-609               | B1903-044               | C6239                      |              | 56-0146    | A2392-368    | B1900-017         | D1054-003      |                       |                   |                | 22-368                         |
| CASE | 850E    | AFTER 4-1-89        | SEALED | 1.318    | 7.224    | 2.119      | 4.862      | 6.734 | B1902-035             | B1901-071                 | N/A               | B1904-608           | B1903-404           | C5011C                 | B1904-607               | B1903-535               | C6275                      |              | 56-0146    | A2392-367    | B1900-017         | D1054-003      |                       |                   |                | 22-367                         |
| CASE | 850ELT  |                     | SALT   | 1.320    | 7.224    | 2.122      | 4.311      | 6.735 | B1902-193             | B1901-079                 |                   | B1904-118           | B1903-113           | C5401                  | B1904-678               | B1903-044               | C6401                      |              |            |              |                   |                |                       |                   |                |                                |
| CASE | 850G    |                     | SALT   | 1.318    | 7.224    | 2.119      | 4.312      | 6.735 | B1902-129             | B1901-129                 | N/A               | B1904-489           | B1903-404           | C5158                  | B1904-609               | B1903-044               | C6239                      |              | 56-0146    | A2392-368    | B1900-017         | D1054-003      |                       |                   |                | 22-368                         |
| CASE | 850G    |                     | SEALED | 1.318    | 7.224    | 2.119      | 4.862      | 6.734 | B1902-035             | B1901-071                 | N/A               | B1904-608           | B1903-404           | C5011C                 | B1904-607               | B1903-535               | C6275                      |              | 56-0146    | A2392-367    | B1900-017         | D1054-003      |                       |                   |                | 22-367                         |
| CASE | 850H    |                     | SALT   | 1.318    | 7.224    | 2.119      | 4.312      | 6.735 | B1902-129             | B1901-129                 | N/A               | B1904-489           | B1903-404           | C5158                  | B1904-609               | B1903-044               | C6239                      |              | 56-0146    | A2392-368    | B1900-017         | D1054-003      |                       |                   |                | 22-368                         |
| CASE | 850H    |                     | SEALED | 1.318    | 7.224    | 2.119      | 4.862      | 6.734 | B1902-035             | B1901-071                 | N/A               | B1904-608           | B1903-404           | C5011C                 | B1904-607               | B1903-535               | C6275                      |              | 56-0146    | A2392-367    | B1900-017         | D1054-003      |                       |                   |                | 22-367                         |
| CASE | 850K    |                     | SALT   | 1.318    | 7.224    | 2.119      | 4.312      | 6.735 | B1902-129             | B1901-129                 | N/A               | B1904-489           | B1903-404           | C5158                  | B1904-609               | B1903-044               | C6239                      |              | 56-0146    | A2392-368    | B1900-017         | D1054-003      |                       |                   |                | 22-368                         |
| CASE | 850K    |                     | SEALED | 1.318    | 7.224    | 2.119      | 4.862      | 6.734 | B1902-035             | B1901-071                 | N/A               | B1904-608           | B1903-404           | C5011C                 | B1904-607               | B1903-535               | C6275                      |              | 56-0146    | A2392-367    | B1900-017         | D1054-003      |                       |                   |                | 22-367                         |
| CASE | 855D    |                     | SALT   | 1.318    | 7.220    | 2.119      | 4.220      | 6.250 | B1902-190             | B1901-079                 | N/A               | B1904-278           | B1903-265           | C5011A                 | B1904-229               | B1903-314               | C6164                      | 204050       | 56-0146    | A2392-233A   | B1900-011         | D1054-015      | A2656-233             | B2441-002         | 53071          | 22-233A                        |
| CASE | 855D    | AFTER 4-1-89        | SALT   | 1.318    | 7.224    | 2.119      | 4.312      | 6.735 | B1902-129             | B1901-129                 | N/A               | B1904-489           | B1903-404           | C5158                  | B1904-609               | B1903-044               | C6239                      |              | 56-0146    | A2392-368    | B1900-017         | D1054-003      |                       |                   |                | 22-368                         |
| CASE | 855D    | AFTER 4-1-89        | SEALED | 1.318    | 7.224    | 2.119      | 4.862      | 6.734 | B1902-035             | B1901-071                 | N/A               | B1904-608           | B1903-404           | C5011C                 | B1904-607               | B1903-535               | C6275                      |              | 56-0146    | A2392-367    | B1900-017         | D1054-003      |                       |                   |                | 22-367                         |
| CAT  | 30      |                     | RECESS | 1.314    | 7.000    | 1.993      | 5.000      | 6.735 | B1902-092             | B1901-129                 | N/A               | B1904-487           | B1903-436           | C5011B                 | B1904-486               | B1903-437               | C6017                      |              | 56-0146    | A2392-320    | B1900-019         | D1054-004      |                       |                   |                | 22-320                         |
| CAT  | 215     | w/ 9/16 BOLT        | SEALED | 1.315    | 6.370    | 2.120      | 4.170      | 6.735 | B1902-045             | B1901-049                 | B1905-037         | B1904-074           | B1903-073           | C5011                  | B1904-099               | B1903-082               | C6127                      | A2904-001    | 56-0146    | A2392-123A   | B1900-019         | D1054-023      | A2656-123A            | B2440-004         | 42101          | 22-123A                        |
| CAT  | 215     | w/ 5/8 BOLT         | SEALED | 1.314    | 7.220    | 2.118      | 4.990      | 6.735 | B1902-045             | B1901-049                 | B1905-044         | B1904-074           | B1903-073           | C5011                  | B1904-100               | B1903-082               | C6011                      | A2904-001    | 56-0146    | A2392-124B   | B1900-019         | D1054-004      | A2656-124B            | B2545-001         | 43574          | 22-124B                        |



WTC Machinery  
C-Style Tool Chart

| Make | Model | Comments    | Type   | Pin Dia. | Pin Len. | Bush. Dia. | Bush. Len. | Pitch  | Pin Disass'y Tool (2) | Bushing Disassy Tool (2) | Master Spacer (2) | Pin Assy Holder (2) | Pin Assy Insert (2) | Full Pin Assy Tool (2) | Bushing Assy Holder (2) | Bushing Assy Insert (2) | Full Bushing Assy Tool (2) | Pin Shim (4) | Spring (4) | WTC Tool Set | WTC Mount Bar (2) | WTC Saddle (1) | Track Master Tool Set | T M Mount Bar (2) | T M Saddle (1) | Tool Set No Saddle or Toolbars |
|------|-------|-------------|--------|----------|----------|------------|------------|--------|-----------------------|--------------------------|-------------------|---------------------|---------------------|------------------------|-------------------------|-------------------------|----------------------------|--------------|------------|--------------|-------------------|----------------|-----------------------|-------------------|----------------|--------------------------------|
| CAT  | 219   |             | SEALED | 1.442    | 8.120    | 2.312      | 5.700      | 7.480  | B1902-075             | B1901-029                | B1905-024         | B1904-059           | B1903-061           | C5009B                 | B1904-058               | B1903-141               | C6009                      | A2904-001    | 56-0146    | A2392-187    | B1900-002         | D1054-039      | A2656-187             | B2546-001         | D1281-016      | 22-187                         |
| CAT  | 225   |             | SALT   | 1.442    | 8.120    | 2.312      | 5.210      | 6.906  | B1902-027             | B1901-029                | N/A               | B1904-059           | B1903-061           | C5009B                 | B1904-058               | B1903-060               | C6074A                     | A2904-001    | 56-0146    | A2392-041A   | B1900-008         | D1054-007      | A2656-041A            | B2545-002         | 51835          | 22-041A                        |
| CAT  | 225   | w/ 5/8 BOLT | SEALED | 1.314    | 7.220    | 2.118      | 4.990      | 6.735  | B1902-045             | B1901-049                | B1905-044         | B1904-074           | B1903-073           | C5011                  | B1904-100               | B1903-082               | C6011                      | A2904-001    | 56-0146    | A2392-124B   | B1900-019         | D1054-004      | A2656-124B            | B2545-001         | 43574          | 22-124B                        |
| CAT  | 225   |             | SEALED | 1.252    | 9.060    | 2.621      | 6.356      | 7.984  | B1902-078             | B1901-069                | B1905-023         | B1904-055           | B1903-151           | C5003B                 | B1904-054               | B1903-056               | C6003A                     | A2904-002    | 56-0146    | A2392-125A   | B1900-015         | D1054-032      | A2656-125A            | B2158-005         | 52877-001      | 22-125A                        |
| CAT  | 227   |             | SEALED | 1.252    | 9.060    | 2.621      | 6.356      | 7.984  | B1902-078             | B1901-069                | B1905-023         | B1904-055           | B1903-151           | C5003B                 | B1904-054               | B1903-056               | C6003A                     | A2904-002    | 56-0146    | A2392-125A   | B1900-015         | D1054-032      | A2656-125A            | B2158-005         | 52877-001      | 22-125A                        |
| CAT  | 229   |             | SEALED | 1.252    | 9.060    | 2.621      | 6.356      | 7.984  | B1902-078             | B1901-069                | B1905-023         | B1904-055           | B1903-151           | C5003B                 | B1904-054               | B1903-056               | C6003A                     | A2904-002    | 56-0146    | A2392-125A   | B1900-015         | D1054-032      | A2656-125A            | B2158-005         | 52877-001      | 22-125A                        |
| CAT  | 235   |             | SEALED | 1.252    | 9.060    | 2.621      | 6.356      | 7.984  | B1902-078             | B1901-069                | B1905-023         | B1904-055           | B1903-151           | C5003B                 | B1904-054               | B1903-056               | C6003A                     | A2904-002    | 56-0146    | A2392-125A   | B1900-015         | D1054-032      | A2656-125A            | B2158-005         | 52877-001      | 22-125A                        |
| CAT  | 235   | EXC         | SEALED | 1.752    | 9.060    | 2.621      | 6.365      | 7.985  | B1902-078             | B1901-069                | B1905-026         | B1904-055           | B1903-057           | C5003A                 | B1904-054               | B1903-056               | C6003A                     | A2904-002    | 56-0146    | A2392-052A   | B1900-015         | D1054-032      | A2656-052A            | B2158-005         | 52877          | 22-052A                        |
| CAT  | 235   | w/ 7/8 BOLT | SEALED | 1.877    | 9.880    | 2.812      | 6.963      | 8.500  | B1902-072             | B1901-067                | B1905-046         | B1904-020           | B1903-021           | C5012A                 | B1904-019               | B1903-020               | C6013                      | A2904-002    | 56-0150    | A2392-126A   | B1900-009         | D1096-001      | A2656-126A            | B2158-006         | 41623          | 22-126A                        |
| CAT  | 235   | w/ 3/4 BOLT | SEALED | 1.877    | 9.880    | 2.812      | 6.963      | 8.500  | B1902-072             | B1901-067                | B1905-046         | B1904-020           | B1903-021           | C5012A                 | B1904-019               | B1903-020               | C6013                      | A2904-002    | 56-0150    | A2392-126A   | B1900-009         | D1096-001      | A2656-126A            | B2158-006         | 41623          | 22-126A                        |
| CAT  | 245   | EXC         | SEALED | 2.253    | 11.259   | 3.371      | 7.866      | 10.250 | B1902-044             | B1901-048                | B1905-040         | B1904-097           | B1903-156           | C5005A                 | B1904-096               | B2056-010               | C6005                      | A2904-003    | 56-0150    | A2392-127A   | B1900-007         | D1092-004      | A2656-127A            | B3269-018         | 51960          | 22-127A                        |
| CAT  | 311   | EXC         | SEALED | 1.321    | 7.010    | 1.992      | 4.660      | 6.750  | B1902-214             | B1901-066                | N/A               | B1904-287           | B1903-265           | C5059                  | B1904-315               | B1903-277               | C6200                      | 204050       | 56-0146    | A2392-268    | B1900-014         | D1054-004      | A2656-268             | B2440-008         | 42101          | 22-268                         |
| CAT  | 312   | EXC         | SEALED | 1.321    | 7.010    | 1.992      | 4.660      | 6.750  | B1902-214             | B1901-066                | N/A               | B1904-287           | B1903-265           | C5059                  | B1904-315               | B1903-277               | C6200                      | 204050       | 56-0146    | A2392-268    | B1900-014         | D1054-004      | A2656-268             | B2440-008         | 42101          | 22-268                         |
| CAT  | 317   | EXC         | SEALED | 1.442    | 8.150    | 2.312      | 5.700      | 7.480  | B1902-075             | B1901-029                | B1905-024         | B1904-059           | B1903-360           | C5140                  | B1904-058               | B1903-141               | C6009                      | A2904-001    | 56-0146    | A2392-272    | B1900-002         | D1054-027      | A2656-272             | B2546-001         | 52876-002      | 22-272                         |
| CAT  | 320   | EXC         | SEALED | 1.442    | 8.150    | 2.312      | 5.700      | 7.480  | B1902-075             | B1901-029                | B1905-024         | B1904-059           | B1903-360           | C5140                  | B1904-058               | B1903-141               | C6009                      | A2904-001    | 56-0146    | A2392-272    | B1900-002         | D1054-027      | A2656-272             | B2546-001         | 52876-002      | 22-272                         |
| CAT  | 322   | EXC         | SEALED | 1.442    | 8.150    | 2.312      | 5.700      | 7.480  | B1902-075             | B1901-029                | B1905-024         | B1904-059           | B1903-360           | C5140                  | B1904-058               | B1903-141               | C6009                      | A2904-001    | 56-0146    | A2392-272    | B1900-002         | D1054-027      | A2656-272             | B2546-001         | 52876-002      | 22-272                         |
| CAT  | 325   | EXC         | SEALED | 1.654    | 9.055    | 2.519      | 6.319      | 8.000  | B1902-215             | B1901-122                | B1905-219         | B1904-318           | B1903-362           | C5141                  | B1904-317               | B1903-361               | C6196                      | A2904-001    | 56-0146    | A2392-265    | B1900-015         | D1054-055      | A2656-265             | B2158-005         | D1428          | 22-265                         |
| CAT  | 330   | EXC         | SEALED | 1.811    | 9.665    | 2.677      | 6.785      | 8.500  | B1902-079             | B1901-119                | B1905-217         | B1904-311           | B1903-353           | C5015                  | B1904-310               | B1903-352               | C6197                      | A2904-001    | 56-0146    | A2392-264    | B1900-009         | D1096-015      | A2656-264             | B2719             | 41955          | 22-264                         |
| CAT  | 345   | EXC         | SEALED | 2.003    | 11.438   | 2.996      | 7.941      | 8.500  | B1902-071             | B1901-072                | B1905-216         | B1904-087           | B1903-351           | C5142                  | B1904-146               | B1903-087               | C6001                      | A2904-003    | 56-0150    | A2392-271    | B1900-006         | D1096-002A     | A2656-271             | B2158-012         | D1281-015      | 22-271                         |
| CAT  | 349   | EXC         | SEALED | 1.877    | 9.880    | 2.812      | 6.409      | 8.500  | B1902-011             | B1901-067                | N/A               | B1904-694           | B1903-611           | C5404                  | B1904-693               | B1903-220               | C6308                      | A2904-002    | 56-0150    | A2392-446    | B1900-009         | D1096-002A     |                       |                   |                | 22-446                         |
| CAT  | 350   |             | SEALED | 2.003    | 11.438   | 2.996      | 7.941      | 9.000  | B1902-071             | B1901-072                | B1905-025         | B1904-087           | B1903-086           | C5001                  | B1904-146               | B1903-087               | C6001                      | A2904-003    | 56-0150    | A2392-004A   | B1900-006         | D1096-003      | A2656-004A            | B2158-012         | 41253          | 22-004A                        |
| CAT  | 375   | EXC         | SEALED | 2.253    | 12.244   | 3.710      | 8.854      | 10.250 | B1902-044             | B1901-048                | B1905-040         | B1904-097           | B1903-350           | C5139                  | B1904-096               | B2056-010               | C6005                      | A2904-003    | 56-0150    | A2392-270    | B1900-007         | D1092-004      | A2656-270             | B2158-018         | 51960          | 22-270                         |
| CAT  | 390   | EXC         | SEALED | 2.165    | 12.402   | 3.346      | 8.268      | 10.250 | B1902-109             | B1901-201                | N/A               | B1904-704           | B1903-484           | C5284                  | B1904-705               | B1903-612               | C6314                      | A2904-003    | 56-0150    | A2392-453    | B1900-045         | D1092-004      |                       |                   |                | 22-453                         |
| CAT  | 561   |             | SEALED | 1.442    | 8.125    | 2.312      | 5.704      | 6.906  | B1902-075             | B1901-029                | B1905-024         | B1904-059           | B1903-061           | C5009B                 | B1904-058               | B1903-141               | C6009                      | A2904-001    | 56-0146    | A2392-017A   | B1900-008         | D1054-007      | A2656-017A            | B2545-002         | 51835          | 22-017A                        |
| CAT  | 561   |             | SEALED | 1.442    | 8.125    | 2.118      | 5.704      | 6.735  | B1902-080             | B1901-049                | B1905-019         | B1904-043           | B1903-045           | C5009A                 | B1904-042               | B1903-044               | C6009A                     | A2904-001    | 56-0146    | A2392-042A   | B1900-019         | D1054-001A     | A2656-042A            | B2545-001         | 42101          | 22-042A                        |
| CAT  | 571   |             | SEALED | 1.752    | 9.875    | 2.621      | 6.865      | 7.984  | B1902-076             | B1901-069                | B1905-023         | B1904-151           | B1903-057           | C5012B                 | B1904-054               | B1903-142               | C6015                      | A2904-002    | 56-0146    | A2392-022A   | B1900-015         | D1054-032      | A2656-022A            | B2158-005         | 52877-002      | 22-022A                        |
| CAT  | 571   |             | SEALED | 1.877    | 9.880    | 2.812      | 6.963      | 8.500  | B1902-072             | B1901-067                | B1905-009         | B1904-020           | B1903-021           | C5012A                 | B1904-019               | B1903-020               | C6013                      | A2904-002    | 56-0150    | A2392-074A   | B1900-009         | D1096-001      | A2656-074A            | B2158-006         | 41955          | 22-074A                        |
| CAT  | 572   | w/ 5/8 BOLT | SEALED | 1.752    | 9.875    | 2.621      | 6.865      | 7.984  | B1902-076             | B1901-069                | B1905-023         | B1904-151           | B1903-057           | C5012B                 | B1904-054               | B1903-142               | C6015                      | A2904-002    | 56-0146    | A2392-022A   | B1900-015         | D1054-032      | A2656-022A            | B2158-005         | 52877          | 22-022A                        |
| CAT  | 572   | w/ 3/4 BOLT | SEALED | 1.752    | 9.875    | 2.621      | 6.865      | 7.984  | B1902-076             | B1901-069                | B1905-023         | B1904-151           | B1903-057           | C5012B                 | B1904-054               | B1903-142               | C6015                      | A2904-002    | 56-0146    | A2392-022A   | B1900-015         | D1054-032      | A2656-022A            | B2158-005         | 52877-002      | 22-022A                        |
| CAT  | 572   |             | SEALED | 1.752    | 9.875    | 2.621      | 6.865      | 7.984  | B1902-076             | B1901-069                | B1905-023         | B1904-151           | B1903-057           | C5012B                 | B1904-054               | B1903-142               | C6015                      | A2904-002    | 56-0146    | A2392-022A   | B1900-015         | D1054-032      | A2656-022A            | B2158-005         | 52877-002      | 22-022A                        |
| CAT  | 572   |             | SEALED | 1.877    | 9.880    | 2.812      | 6.963      | 8.500  | B1902-072             | B1901-067                | B1905-009         | B1904-020           | B1903-021           | C5012A                 | B1904-019               | B1903-020               | C6013                      | A2904-002    | 56-0150    | A2392-074A   | B1900-009         | D1096-001      | A2656-074A            | B2158-006         | 41955          | 22-074A                        |
| CAT  | 578   |             | PPR    | 1.878    | 9.650    | 2.937      | 6.405      | 8.500  | B2054-013             | B2055-013                | N/A               | C1165-011           | C1166-022/23        | C5152 / C5152-1        | B2057-014               | C1166-021               | C6152                      | N/A          | 56-0150    | A2392-152    | C1000-006         | D1096-002A     | A2656-152             | B2772-001         | 52878-002      | 22-152                         |
| CAT  | 578   | PIPELAYER   | SALT   | 1.880    | 9.880    | 2.940      | 6.410      | 8.500  | B1902-011             | B1901-011                | N/A               | B1904-024           | B1903-152           | C5006B                 | B1904-023               | B1903-024               | C6132                      | A2904-002    | 56-0150    | A2392-153A   | B1900-009         | D1096-002A     | A2656-153A            | B2158-006         | 52878-001      | 22-153A                        |
| CAT  | 583   | w/ 5/8 BOLT | SEALED | 1.752    | 9.875    | 2.621      | 6.865      | 7.984  | B1902-076             | B1901-069                | B1905-023         | B1904-151           | B1903-057           | C5012B                 | B1904-054               | B1903-142               | C6015                      | A2904-002    | 56-0146    | A2392-022A   | B1900-015         | D1054-032      | A2656-022A            | B2158-005         | 52877          | 22-022A                        |
| CAT  | 583   | w/ 3/4 BOLT | SEALED | 1.752    | 9.875    | 2.621      | 6.865      | 7.984  | B1902-076             | B1901-069                | B1905-023         | B1904-151           | B1903-057           | C5012B                 | B1904-054               | B1903-142               | C6015                      | A2904-002    | 56-0146    | A2392-022A   | B1900-015         | D1054-032      | A2656-022A            | B2158-005         | 52877-002      | 22-022A                        |
| CAT  | 583   |             | SEALED | 1.752    | 9.875    | 2.621      | 6.865      | 7.984  | B1902-076             | B1901-069                | B1905-023         | B1904-151           | B1903-057           | C5012B                 | B1904-054               | B1903-142               | C6015                      | A2904-002    | 56-0146    | A2392-022A   | B1900-01          |                |                       |                   |                |                                |



WTC Machinery  
C-Style Tool Chart

| Make | Model | Comments    | Type   | Pin Dia. | Pin Len. | Bush. Dia. | Bush. Len. | Pitch  | Pin Disass'y Tool (2) | Bushing Disassy Tool (2) | Master Spacer (2) | Pin Assy Holder (2) | Pin Assy Insert (2) | Full Pin Assy Tool (2) | Bushing Assy Holder (2) | Bushing Assy Insert (2) | Full Bushing Assy Tool (2) | Pin Shim (4) | Spring (4) | WTC Tool Set | WTC Mount Bar (2) | WTC Saddle (1) | Track Master Tool Set | T M Mount Bar (2) | T M Saddle (1) | Tool Set No Saddle or Toolbars |
|------|-------|-------------|--------|----------|----------|------------|------------|--------|-----------------------|--------------------------|-------------------|---------------------|---------------------|------------------------|-------------------------|-------------------------|----------------------------|--------------|------------|--------------|-------------------|----------------|-----------------------|-------------------|----------------|--------------------------------|
| CAT  | 583   |             | SEALED | 2.003    | 11.438   | 2.996      | 7.941      | 9.000  | B1902-071             | B1901-072                | B1905-025         | B1904-087           | B1903-086           | C5001                  | B1904-146               | B1903-087               | C6001                      | A2904-003    | 56-0150    | A2392-004A   | B1900-006         | D1096-003      | A2656-004A            | B2158-012         | 41253          | 22-004A                        |
| CAT  | 589   | PIPELAYER   | SALT   | 2.000    | 11.437   | 3.220      | 7.355      | 9.000  | B1902-006             | B1901-006                | N/A               | B1904-087           | B1903-088           | C5093                  | B1904-088               | B1903-221               | C6131                      | A2904-003    | 56-0150    | A2392-115C   | B1900-006         | D1096-009      | A2656-115C            | B2158-012         | 52147          | 22-115C                        |
| CAT  | 594   |             | SEALED | 2.252    | 12.250   | 3.371      | 8.856      | 10.250 | B1902-044             | B1901-048                | B1905-040         | B1904-097           | B2056-009           | C5005                  | B1904-096               | B2056-010               | C6005                      | A2904-003    | 56-0150    | A2392-095    | B1900-007         | D1092-004      | A2656-095A            | B2158-018         | 51960          | 22-095                         |
| CAT  | 931   |             | SALT   | 1.126    | 6.161    | 1.850      | 3.706      | 6.125  | B1902-035             | B1901-039                | N/A               | B1904-078           | B1903-639           | C5329                  | B1904-077               | B1903-076               | C6115                      | B1927-022    | 56-0146    | A2392-118B   | B1900-016         | D1054-017A     | A2656-118B            | B2543-001         | D1281-013      | 22-118B                        |
| CAT  | 931   |             | SEALED | 1.129    | 6.156    | 1.850      | 4.222      | 6.125  | B1902-074             | B1901-039                | B1905-028         | B1904-078           | B1903-077           | C5004                  | B1904-077               | B1903-140               | C6004                      | B1927-022    | 56-0146    | A2392-014B   | B1900-016         | D1054-017A     | A2656-014B            | B2546-001         | 41938-001      | 22-014B                        |
| CAT  | 931   | EARLY       | SEALED | 1.129    | 6.156    | 1.850      | 4.222      | 6.125  | B1902-074             | B1901-039                | B1905-028         | B1904-078           | B1903-077           | C5004                  | B1904-077               | B1903-140               | C6004                      | B1927-022    | 56-0146    | A2392-014B   | B1900-016         | D1054-017A     | A2656-014B            | B2546-001         | 41938-001      | 22-014B                        |
| CAT  | 933   |             | SEALED | 1.129    | 6.156    | 1.850      | 4.222      | 6.125  | B1902-074             | B1901-039                | B1905-028         | B1904-078           | B1903-077           | C5004                  | B1904-077               | B1903-140               | C6004                      | B1927-022    | 56-0146    | A2392-014B   | B1900-016         | D1054-017A     | A2656-014B            | B2546-001         | 41938-001      | 22-014B                        |
| CAT  | 933   | w/ 1/2 BOLT | SEALED | 1.314    | 7.000    | 1.994      | 4.804      | 6.735  | B1902-045             | B1901-071                | B1905-032         | B1904-074           | B1903-073           | C5011                  | B1904-073               | B1903-072               | C6002A                     | A2904-001    | 56-0146    | A2392-007A   | B1900-019         | D1054-004      | A2656-007A            | B2440-004         | 42101          | 22-007A                        |
| CAT  | 933   | w/ 5/8 BOLT | SEALED | 1.314    | 7.000    | 1.994      | 4.804      | 6.735  | B1902-045             | B1901-071                | B1905-032         | B1904-074           | B1903-073           | C5011                  | B1904-073               | B1903-072               | C6002A                     | A2904-001    | 56-0146    | A2392-007A   | B1900-019         | D1054-004      | A2656-007A            | B2440-004         | 42101          | 22-007A                        |
| CAT  | 939   |             | SALT   | 1.318    | 7.535    | 2.228      | 4.437      | 6.735  | B1902-208             | B1901-070                | N/A               | B1904-074           | B1903-339           | C5149                  | B1904-303               | B1903-138               | C6203                      | A2904-001    | 56-0146    | A2392-254    | B1900-019         | D1054-001A     | A2656-254             | B2545-001         | 52875          | 22-254                         |
| CAT  | 941   |             | SALT   | 1.315    | 7.220    | 2.119      | 4.437      | 6.735  | B1902-033             | B1901-049                | N/A               | B1904-074           | B1903-073           | C5011                  | B1904-098               | B1903-095               | C6156A                     | A2904-001    | 56-0146    | A2392-093B   | B1900-019         | D1054-004      | A2656-093B            | B2545-001         | 42101          | 22-093B                        |
| CAT  | 941   |             | SALT   | 1.314    | 7.220    | 2.119      | 4.437      | 6.735  | B1902-033             | B1901-071                | N/A               | B1904-485           | B1903-436           | C5052D                 | B1904-360               | B1903-401               | C6156B                     |              | 56-0146    | A2392-319    | B1900-019         | D1054-004      |                       |                   |                | 22-319                         |
| CAT  | 941   | w/ 5/8 BOLT | SEALED | 1.314    | 7.220    | 2.118      | 4.990      | 6.735  | B1902-045             | B1901-049                | B1905-044         | B1904-074           | B1903-073           | C5011                  | B1904-100               | B1903-082               | C6011                      | A2904-001    | 56-0146    | A2392-124B   | B1900-019         | D1054-004      | A2656-124B            | B2545-001         | 43574          | 22-124B                        |
| CAT  | 941   |             | SEALED | 1.314    | 7.220    | 2.119      | 4.996      | 6.735  | B1902-045             | B1901-049                | N/A               | B1904-074           | B1903-073           | C5011                  | B1904-100               | B1903-082               | C6011                      | A2904-001    | 56-0146    | A2392-072A   | B1900-019         | D1054-004      | A2656-072A            | B2545-001         | 42101          | 22-072A                        |
| CAT  | 943   | HI RAIL     | SALT   | 1.315    | 7.220    | 2.119      | 4.437      | 6.735  | B1902-033             | B1901-049                | N/A               | B1904-074           | B1903-150           | C5002                  | B1904-098               | B1903-095               | C6156A                     | A2904-001    | 56-0146    | A2392-149A   | B1900-019         | D1054-001A     | A2656-149A            | B2545-001         | D1281-018      | 22-149A                        |
| CAT  | 943   | HI RAIL     | SALT   | 1.314    | 7.220    | 2.119      | 4.437      | 6.735  | B1902-033             | B1901-071                | N/A               | B1904-485           | B1903-436           | C5052D                 | B1904-360               | B1903-401               | C6156B                     |              | 56-0146    | A2392-319    | B1900-019         | D1054-004      |                       |                   |                | 22-319                         |
| CAT  | 951   |             | SALT   | 1.442    | 8.120    | 2.312      | 5.210      | 6.906  | B1902-027             | B1901-029                | N/A               | B1904-059           | B1903-061           | C5009B                 | B1904-058               | B1903-060               | C6074A                     | A2904-001    | 56-0146    | A2392-041A   | B1900-008         | D1054-007      | A2656-041A            | B2545-002         | 51835          | 22-041A                        |
| CAT  | 951   |             | SEALED | 1.442    | 8.125    | 2.118      | 5.704      | 6.735  | B1902-080             | B1901-049                | B1905-019         | B1904-043           | B1903-045           | C5009A                 | B1904-042               | B1903-044               | C6009A                     | A2904-001    | 56-0146    | A2392-042A   | B1900-019         | D1054-001A     | A2656-042A            | B2545-001         | 42101          | 22-042A                        |
| CAT  | 953   | HI RAIL     | SALT   | 1.442    | 8.120    | 2.312      | 5.214      | 6.906  | B1902-027             | B1901-029                | N/A               | B1904-135           | B1903-061           | C5052C                 | B1904-058               | B1903-060               | C6074A                     | A2904-002    | 56-0146    | A2392-146A   | B1900-008         | D1054-029      | A2656-146A            | B2545-002         | D1281-014      | 22-146A                        |
| CAT  | 953   |             | SALT   | 1.442    | 8.120    | 2.312      | 5.210      | 6.906  | B1902-027             | B1901-029                | N/A               | B1904-059           | B1903-061           | C5009B                 | B1904-058               | B1903-060               | C6074A                     | A2904-001    | 56-0146    | A2392-041A   | B1900-008         | D1054-007      | A2656-041A            | B2545-002         | 51835          | 22-041A                        |
| CAT  | 953   | LGP         | SALT   | 1.442    | 8.120    | 2.312      | 5.210      | 6.906  | B1902-027             | B1901-029                | N/A               | B1904-059           | B1903-061           | C5009B                 | B1904-058               | B1903-060               | C6074A                     | A2904-001    | 56-0146    | A2392-041A   | B1900-008         | D1054-007      | A2656-041A            | B2545-002         | 51835          | 22-041A                        |
| CAT  | 953   |             | SEALED | 1.442    | 8.125    | 2.312      | 5.704      | 6.906  | B1902-075             | B1901-029                | B1905-024         | B1904-059           | B1903-061           | C5009B                 | B1904-058               | B1903-141               | C6009                      | A2904-001    | 56-0146    | A2392-017A   | B1900-008         | D1054-007      | A2656-017A            | B2545-002         | 51835          | 22-017A                        |
| CAT  | 953   | LGP         | SEALED | 1.442    | 8.125    | 2.312      | 5.704      | 6.906  | B1902-075             | B1901-029                | B1905-024         | B1904-059           | B1903-061           | C5009B                 | B1904-058               | B1903-141               | C6009                      | A2904-001    | 56-0146    | A2392-017A   | B1900-008         | D1054-007      | A2656-017A            | B2545-002         | 51835          | 22-017A                        |
| CAT  | 953   | Hybrid      | SALT   | 1.442    | 8.100    | 2.530      | 5.120      | 7.480  | B1902-027             | B1901-225                | N/A               | B1904-782           | B1903-459           | C5328                  | B1904-753               | B1903-361               | C6349                      | A2904-002    | 56-0146    | A2392-492    | B1900-002         | D1054-056      |                       |                   |                | 22-492                         |
| CAT  | 955   |             | SALT   | 1.753    | 9.060    | 2.621      | 5.783      | 7.980  | B1902-023             | B1901-069                | N/A               | B1904-055           | B1903-151           | C5003B                 | B1904-054               | B1903-144               | C6006                      | A2904-002    | 56-0146    | A2392-147B   | B1900-015         | D1054-032      | A2656-147B            | B2158-005         | 52653          | 22-147B                        |
| CAT  | 955   | w/ 1/2 BOLT | SEALED | 1.314    | 7.000    | 1.994      | 4.804      | 6.735  | B1902-045             | B1901-071                | B1905-032         | B1904-074           | B1903-073           | C5011                  | B1904-073               | B1903-072               | C6002A                     | A2904-001    | 56-0146    | A2392-007A   | B1900-019         | D1054-004      | A2656-007A            | B2440-004         | 42101          | 22-007A                        |
| CAT  | 955   |             | SEALED | 1.442    | 8.125    | 2.312      | 5.704      | 6.906  | B1902-075             | B1901-029                | B1905-024         | B1904-059           | B1903-061           | C5009B                 | B1904-058               | B1903-141               | C6009                      | A2904-001    | 56-0146    | A2392-017A   | B1900-008         | D1054-007      | A2656-017A            | B2545-002         | 51835          | 22-017A                        |
| CAT  | 955   |             | SEALED | 1.442    | 8.125    | 2.118      | 5.704      | 6.735  | B1902-080             | B1901-049                | B1905-019         | B1904-043           | B1903-045           | C5009A                 | B1904-042               | B1903-044               | C6009A                     | A2904-001    | 56-0146    | A2392-042A   | B1900-019         | D1054-001A     | A2656-042A            | B2545-001         | 42101          | 22-042A                        |
| CAT  | 955   |             | SEALED | 1.252    | 9.060    | 2.621      | 6.356      | 7.984  | B1902-078             | B1901-069                | B1905-023         | B1904-055           | B1903-151           | C5003B                 | B1904-054               | B1903-056               | C6003A                     | A2904-002    | 56-0146    | A2392-125A   | B1900-015         | D1054-032      | A2656-125A            | B2158-005         | 52877-001      | 22-125A                        |
| CAT  | 955   |             | SEALED | 1.752    | 9.060    | 2.621      | 6.365      | 7.985  | B1902-078             | B1901-069                | B1905-026         | B1904-055           | B1903-057           | C5003A                 | B1904-054               | B1903-056               | C6003A                     | A2904-002    | 56-0146    | A2392-052A   | B1900-015         | D1054-032      | A2656-052A            | B2158-005         | 52877          | 22-052A                        |
| CAT  | 963   | HI RAIL     | SALT   | 1.753    | 9.060    | 2.621      | 5.783      | 7.980  | B1902-023             | B1901-069                | N/A               | B1904-055           | B1903-151           | C5003B                 | B1904-054               | B1903-144               | C6006                      | A2904-002    | 56-0146    | A2392-147B   | B1900-015         | D1054-032      | A2656-147B            | B2158-005         | 52653          | 22-147B                        |
| CAT  | 973   |             | SALT   | 1.877    | 9.880    | 2.812      | 6.409      | 8.500  | B1902-011             | B1901-067                | N/A               | B1904-020           | B1903-154           | C5006A                 | B1904-019               | B1903-220               | C6006A                     | A2904-002    | 56-0150    | A2392-154B   | B1900-009         | D1096-001      | A2656-154B            | B2158-006         | D1281-019      | 22-0154B                       |
| CAT  | 973   | HI RAIL     | SALT   | 1.877    | 9.880    | 2.812      | 6.409      | 8.500  | B1902-011             | B1901-067                | N/A               | B1904-020           | B1903-154           | C5006A                 | B1904-019               | B1903-220               | C6006A                     | A2904-002    | 56-0150    | A2392-154B   | B1900-009         | D1096-001      | A2656-154B            | B2158-006         | D1281-019      | 22-0154B                       |
| CAT  | 973   | LGP         | SALT   | 1.877    | 9.880    | 2.812      | 6.409      | 8.500  | B1902-011             | B1901-067                | N/A               | B1904-020           | B1903-154           | C5006A                 | B1904-019               | B1903-220               | C6006A                     | A2904-002    | 56-0150    | A2392-154B   | B1900-009         | D1096-001      | A2656-154B            | B2158-006         | D1281-019      | 22-0154B                       |
| CAT  | 973   |             | SEALED | 1.877    | 9.880    | 2.812      | 6.963      | 8.500  | B1902-072             | B1901-067                | B1905-009         | B1904-020           | B1903-021           | C5012A                 | B1904-019               | B1903-020               | C6013                      | A2904-002    | 56-0150    | A2392-074A   | B1900-009         | D1096-001      | A2656-074A            | B2158-006         | 41955          | 22-074A                        |
| CAT  | 977   | PRO         | SALT   | 1.877    | 9.880    | 2.812      | 6.409      | 8.500  | B1902-011             | B1901-067                | N/A               | B1904-020           | B1903-154           | C5006A                 | B1904-019               | B1903-220               | C6006A                     | A2904-002    | 56-0150    | A2392-154B   | B1900-009         | D1096-001      | A2656-154B            | B2158-006         | D1281-019      | 22-0154B                       |
| CAT  | 977   |             | SEALED | 1.442    | 8.125    | 2.312      | 5.704      | 6.906  | B1902-075             | B1901-029                | B1905-024         | B1904-059           | B1903-061           | C5009B                 | B1904-058               | B1903-141               | C6009                      | A2904-001    | 56-0146    | A2392-017A   | B1900-008         | D1054-007      | A2656-017A            | B2545-002         | 51835          | 22-017A                        |



**WTC Machinery  
C-Style Tool Chart**

| Make | Model   | Comments      | Type   | Pin Dia. | Pin Len. | Bush. Dia.      | Bush. Len. | Pitch  | Pin Disass'y Tool (2) | Bushing Disassy Tool (2) | Master Spacer (2) | Pin Assy Holder (2) | Pin Assy Insert (2) | Full Pin Assy Tool (2) | Bushing Assy Holder (2) | Bushing Assy Insert (2) | Full Bushing Assy Tool (2) | Pin Shim (4) | Spring (4) | WTC Tool Set | WTC Mount Bar (2)      | WTC Saddle (1) | Track Master Tool Set       | T M Mount Bar (2) | T M Saddle (1) | Tool Set No Saddle or Toolbars |  |
|------|---------|---------------|--------|----------|----------|-----------------|------------|--------|-----------------------|--------------------------|-------------------|---------------------|---------------------|------------------------|-------------------------|-------------------------|----------------------------|--------------|------------|--------------|------------------------|----------------|-----------------------------|-------------------|----------------|--------------------------------|--|
| CAT  | 977     |               | SEALED | 1.442    | 8.125    | 2.118           | 5.704      | 6.735  | B1902-080             | B1901-049                | B1905-019         | B1904-043           | B1903-045           | C5009A                 | B1904-042               | B1903-044               | C6009A                     | A2904-001    | 56-0146    | A2392-042A   | B1900-019              | D1054-001A     | A2656-042A                  | B2545-001         | 42101          | 22-042A                        |  |
| CAT  | 977     | w/ 5/8 BOLT   | SEALED | 1.752    | 9.875    | 2.621           | 6.865      | 7.984  | B1902-076             | B1901-069                | B1905-023         | B1904-151           | B1903-057           | C5012B                 | B1904-054               | B1903-142               | C6015                      | A2904-002    | 56-0146    | A2392-022A   | B1900-015              | D1054-032      | A2656-022A                  | B2158-005         | 52877          | 22-022A                        |  |
| CAT  | 977     | w/ 3/4 BOLT   | SEALED | 1.752    | 9.875    | 2.621           | 6.865      | 7.984  | B1902-076             | B1901-069                | B1905-023         | B1904-151           | B1903-057           | C5012B                 | B1904-054               | B1903-142               | C6015                      | A2904-002    | 56-0146    | A2392-022A   | B1900-015              | D1054-032      | A2656-022A                  | B2158-005         | 52877-002      | 22-022A                        |  |
| CAT  | 977     |               | SEALED | 1.877    | 9.880    | 2.812           | 6.963      | 8.500  | B1902-072             | B1901-067                | B1905-009         | B1904-020           | B1903-021           | C5012A                 | B1904-019               | B1903-020               | C6013                      | A2904-002    | 56-0150    | A2392-074A   | B1900-009              | D1096-001      | A2656-074A                  | B2158-006         | 41955          | 22-074A                        |  |
| CAT  | 983     |               | SALT   | 2.002    | 11.438   | 2.996           | 7.355      | 9.000  | B1902-006             | B1901-006                | N/A               | B1904-087           | B1903-155           | C5007A                 | B1904-146               | B1903-014               | C6007                      | A2904-003    | 56-0150    | A2392-005C   | B1900-006              | D1096-003      | A2656-005C                  | B2158-012         | 41253          | 22-005C                        |  |
| CAT  | 983     |               | SEALED | 2.003    | 11.438   | 2.996           | 7.941      | 9.000  | B1902-071             | B1901-072                | B1905-025         | B1904-087           | B1903-086           | C5001                  | B1904-146               | B1903-087               | C6001                      | A2904-003    | 56-0150    | A2392-004A   | B1900-006              | D1096-003      | A2656-004A                  | B2158-012         | 41253          | 22-004A                        |  |
| CAT  | 5130    |               |        | 2.626    | 14.176   | 4.195/<br>4.330 | 9.343      | 12.500 | B2054-015             | B2055-004                | N/A               | B2061-010           | C1166-026           |                        | C1165-001               | C1166-004               |                            |              |            | A2392-274    | C1000-005<br>C1001-005 | D1092-005      |                             |                   |                |                                |  |
| CAT  | E70B    |               | SEALED | 0.945    | 5.512    | 1.614           | 3.638      | 5.315  | B1902-251             | B1901-158                |                   | B1904-507           | B1903-523           | C5129                  | B1904-506               | B1903-522               | C6182                      |              |            |              | TBA                    | TBA            |                             |                   |                |                                |  |
| CAT  | 14A     |               | SEALED | 1.752    | 11.438   | 2.621           | 7.928      | 7.000  | B1902-077             | B1901-069                | B1905-030         | B1904-152           | B1903-145           | C5013                  | B1904-138               | B1903-143               | C6014                      | A2904-002    | 56-0146    | A2392-023B   | B1900-015              | D1054-032      | A2656-023B                  | B2158-005         | 52877-002      | 22-023B                        |  |
| CAT  | 17A     |               | SEALED | 1.752    | 9.875    | 2.621           | 6.865      | 7.984  | B1902-076             | B1901-069                | B1905-023         | B1904-151           | B1903-057           | C5012B                 | B1904-054               | B1903-142               | C6015                      | A2904-002    | 56-0146    | A2392-022A   | B1900-015              | D1054-032      | A2656-022A                  | B2158-005         | 52877-002      | 22-022A                        |  |
| CAT  | 215A    |               | SEALED | 1.442    | 8.120    | 2.312           | 5.700      | 7.480  | B1902-075             | B1901-029                | B1905-024         | B1904-059           | B1903-061           | C5009B                 | B1904-058               | B1903-141               | C6009                      | A2904-001    | 56-0146    | A2392-187    | B1900-002              | D1054-039      | A2656-187                   | B2546-001         | D1281-016      | 22-187                         |  |
| CAT  | 215SA   |               | SALT   | 1.442    | 8.120    | 2.312           | 5.210      | 6.906  | B1902-027             | B1901-029                | N/A               | B1904-059           | B1903-061           | C5009B                 | B1904-058               | B1903-060               | C6074A                     | A2904-001    | 56-0146    | A2392-041A   | B1900-008              | D1054-007      | A2656-041A                  | B2545-002         | 51835          | 22-041A                        |  |
| CAT  | 215SA   |               | SEALED | 1.442    | 8.120    | 2.312           | 5.700      | 7.480  | B1902-075             | B1901-029                | B1905-024         | B1904-059           | B1903-061           | C5009B                 | B1904-058               | B1903-141               | C6009                      | A2904-001    | 56-0146    | A2392-187    | B1900-002              | D1054-039      | A2656-187                   | B2546-001         | D1281-016      | 22-187                         |  |
| CAT  | 225B    | EXC           | SEALED | 1.442    | 8.120    | 2.312           | 5.700      | 7.480  | B1902-075             | B1901-029                | B1905-024         | B1904-059           | B1903-061           | C5009B                 | B1904-058               | B1903-141               | C6009                      | A2904-001    | 56-0146    | A2392-187    | B1900-002              | D1054-039      | A2656-187                   | B2546-001         | D1281-016      | 22-187                         |  |
| CAT  | 225C    | EXC           | SEALED | 1.442    | 8.120    | 2.312           | 5.700      | 7.480  | B1902-075             | B1901-029                | B1905-024         | B1904-059           | B1903-061           | C5009B                 | B1904-058               | B1903-141               | C6009                      | A2904-001    | 56-0146    | A2392-187    | B1900-002              | D1054-039      | A2656-187                   | B2546-001         | D1281-016      | 22-187                         |  |
| CAT  | 231D    |               | SEALED | 1.252    | 9.060    | 2.621           | 6.356      | 7.984  | B1902-078             | B1901-069                | B1905-023         | B1904-055           | B1903-151           | C5003B                 | B1904-054               | B1903-056               | C6003A                     | A2904-002    | 56-0146    | A2392-125A   | B1900-015              | D1054-032      | A2656-125A                  | B2158-005         | 52877-001      | 22-125A                        |  |
| CAT  | 235D    |               | SEALED | 2.003    | 11.438   | 2.996           | 7.941      | 9.000  | B1902-071             | B1901-072                | B1905-025         | B1904-087           | B1903-086           | C5001                  | B1904-146               | B1903-087               | C6001                      | A2904-003    | 56-0150    | A2392-004A   | B1900-006              | D1096-003      | A2656-004A                  | B2158-012         | 41253          | 22-004A                        |  |
| CAT  | 245S    |               | SEALED | 2.003    | 11.438   | 2.996           | 7.941      | 9.000  | B1902-071             | B1901-072                | B1905-065         | B1904-087           | B1903-086           | C5001                  | B1904-146               | B1903-087               | C6001                      | A2904-003    | 56-0150    | A2392-163    | B1900-006              | D1096-003      | A2656-163                   | B2158-012         | D1281-015      | 22-163                         |  |
| CAT  | 320     | Berco SI879A  | SALT   | 1.496    | 8.150    | 2.311           | 5.331      | 7.480  | B1902-075             | B1901-209                | N/A               | B1904-720           | B1903-622           | C5299                  | B1904-721               | B1903-623               | C6327                      | A2904-001    | 56-0146    | A2392-465    | B1900-002              | D1054-039      |                             |                   |                | 22-465                         |  |
| CAT  | 320B    | EXC           | SEALED | 1.442    | 8.150    | 2.312           | 5.700      | 7.480  | B1902-075             | B1901-029                | B1905-024         | B1904-059           | B1903-360           | C5140                  | B1904-058               | B1903-141               | C6009                      | A2904-001    | 56-0146    | A2392-272    | B1900-002              | D1054-027      | A2656-272                   | B2546-001         | 52876-002      | 22-272                         |  |
| CAT  | 324D    | EXC           | PPR2   | 1.634    | 8.976    | 2.598           | 5.733      | 7.985  | B1902-215             | B1901-220                | N/A               | B1904-318           | B1903-362           | C5141                  | B1904-743               | B1903-035               | C6344                      | A2904-001    | 56-0146    | A2392-487    | B1900-015              | D1054-031      |                             |                   |                | 22-487                         |  |
| CAT  | 330B    | EXC           | GREASE | 1.810    | 9.665    | 2.677           | 6.480      | 8.500  | B1902-201             | B1901-119                | N/A               | B1904-311           | B1903-353           | C5185                  | B1904-682               | B1903-352               | C6228A                     | A2904-001    | 56-0146    | A2392-490    | B1900-009              | D1096-015      |                             | B2719             |                | 22-490                         |  |
| CAT  | 330B    | EXC           | SEALED | 1.811    | 9.665    | 2.677           | 6.785      | 8.500  | B1902-079             | B1901-119                | B1905-217         | B1904-311           | B1903-353           | C5015                  | B1904-310               | B1903-352               | C6197                      | A2904-001    | 56-0146    | A2392-264    | B1900-009              | D1096-015      | A2656-264                   | B2719             | 41955          | 22-264                         |  |
| CAT  | 330C    | EXC           | SEALED | 1.811    | 9.665    | 2.677           | 6.456      | 8.500  | B1902-201             | B1901-119                | B1905-217         | B1904-311           | B1903-353           | C5015                  | B1904-677               | B1903-352               | C6228                      | A2904-001    | 56-0146    | A2392-264    | B1900-009              | D1096-015      | A2656-264                   | B2719             | 41955          | 22-264                         |  |
| CAT  | 336NGH  | EXC           | SEALED | 1.807    | 8.246    | 2.677           | 4.181      | 8.500  | B1902-079             | B1901-224                | N/A               | B1904-750           | B1903-353           | C5327                  | B1904-751               | B1903-637               | C6348                      | A2904-001    | 56-0146    | A2392-491    | B1900-009              | D1096-015      |                             |                   |                | 22-491                         |  |
| CAT  | 345B    | EXC           | SALT   | 1.877    | 9.882    | 2.812           | 6.410      | 8.500  | B1902-011             | B1901-011                | N/A               | B1904-472           | B1903-090           | C5200                  | B1904-473               | B1903-509               | C6260                      |              | 56-0150    | A2392-431    | B1900-009              | D1096-002A     |                             |                   |                | 22-431                         |  |
| CAT  | 345B    |               | SEALED | 1.877    | 9.880    | 2.812           | 6.963      | 8.500  | B1902-072             | B1901-067                | B1905-046         | B1904-020           | B1903-021           | C5012A                 | B1904-019               | B1903-020               | C6013                      | A2904-002    | 56-0150    | A2392-126A   | B1900-009              | D1096-001      | A2656-126A                  | B2158-006         | 41623          | 22-126A                        |  |
| CAT  | 345BL   | EXC           | SALT   | 1.877    | 9.882    | 2.812           | 6.410      | 8.500  | B1902-011             | B1901-011                | N/A               | B1904-472           | B1903-090           | C5200                  | B1904-473               | B1903-509               | C6260                      | A2904-001    | 56-0150    | A2392-431    | B1900-009              | D1096-002A     |                             |                   |                | 22-431                         |  |
| CAT  | 374F    | EXC           | SEALED | 2.244    | 12.205   | 3.346           | 8.268      | 10.250 | B1902-280             | B1901-048                | N/A               | B1904-706           | B1903-156           | C5285                  | B1904-096               | B2056-008               | C6008                      | A2904-003    | 56-0150    | A2392-454    | B1900-007              | D1092-004      |                             |                   |                | 22-454                         |  |
| CAT  | 385 B/C | EXC           | SEALED | 2.253    | 12.362   | 3.371           | 8.228      | 10.250 | B1902-275             | B1901-173                | N/A               | B1904-097           | B1903-350           | C5139                  | B1904-695               | B1903-569               | C6310                      | A2904-003    | 56-0150    | A2392-449    | C1000-002              | D1092-004      |                             |                   |                | 22-449                         |  |
| CAT  | 561H    | HD            | SALT   | 1.418    | 8.445    | 2.366           | 4.670      | 6.735  | B1902-216             | B1901-116                | N/A               | B1904-320           | B1903-364           | C5145                  | B1904-319               | B1903-363               | C6205                      | A2904-001    | 56-0146    | A2392-273    | B1900-019              | D1054-003      | A2656-273                   | B2158-003         | 42101          | 22-273                         |  |
| CAT  | 561H    |               | SALT   | 1.318    | 7.535    | 2.228           | 4.437      | 6.735  | B1902-208             | B1901-070                | N/A               | B1904-074           | B1903-339           | C5149                  | B1904-303               | B1903-138               | C6203                      | A2904-001    | 56-0146    | A2392-254    | B1900-019              | D1054-001A     | A2656-254                   | B2545-001         | 52875          | 22-254                         |  |
| CAT  | 571A    |               | SALT   | 1.877    | 9.880    | 2.812           | 6.409      | 8.500  | B1902-011             | B1901-067                | N/A               | B1904-020           | B1903-154           | C5006A                 | B1904-019               | B1903-220               | C6006A                     | A2904-002    | 56-0150    | A2392-154B   | B1900-009              | D1096-001      | A2656-154B                  | B2158-006         | D1281-019      | 22-0154B                       |  |
| CAT  | 571A    |               | SEALED | 1.877    | 9.880    | 2.812           | 6.963      | 8.500  | B1902-072             | B1901-067                | B1905-009         | B1904-020           | B1903-021           | C5012A                 | B1904-019               | B1903-020               | C6013                      | A2904-002    | 56-0150    | A2392-074A   | B1900-009              | D1096-001      | A2656-074A                  | B2158-006         | 41955          | 22-074A                        |  |
| CAT  | 583R    | PIPELAYER     | SALT   | 1.880    | 9.880    | 2.940           | 6.410      | 8.500  | B1902-011             | B1901-011                | N/A               | B1904-024           | B1903-152           | C5006B                 | B1904-023               | B1903-024               | C6132                      | A2904-002    | 56-0150    | A2392-153A   | B1900-009              | D1096-002A     | A2656-153A                  | B2158-006         | 52878-001      | 22-153A                        |  |
| CAT  | 6015B   | Greased Chain | PPR    | 2.626    | 11.804   | 4.193           | 7.335      | 12.500 | B2054-005             | B2055-018                | N/A               | B2061-011           | C1166-005/6         | C5315/<br>C5315A       | C1165-001               | C1166-004               | C6298                      | N/A          | 56-0150    | A2392-480    | C1000-005              | D1092-024      | EXCEEDS TM-<br>200 CAPACITY |                   |                | 22-480                         |  |
| CAT  | 700H    |               | SALT   | 1.442    | 8.120    | 2.312           | 5.210      | 6.906  | B1902-027             | B1901-029                | N/A               | B1904-059           | B1903-061           | C5009B                 | B1904-058               | B1903-060               | C6074A                     | A2904-001    | 56-0146    | A2392-041A   | B1900-008              | D1054-007      | A2656-041A                  | B2545-002         | 5183           |                                |  |



**WTC Machinery  
C-Style Tool Chart**

| Make | Model    | Comments                 | Type      | Pin Dia. | Pin Len. | Bush. Dia. | Bush. Len. | Pitch  | Pin Disass'y Tool (2) | Bushing Disassy Tool (2) | Master Spacer (2) | Pin Assy Holder (2) | Pin Assy Insert (2) | Full Pin Assy Tool (2) | Bushing Assy Holder (2) | Bushing Assy Insert (2) | Full Bushing Assy Tool (2) | Pin Shim (4) | Spring (4) | WTC Tool Set | WTC Mount Bar (2) | WTC Saddle (1) | Track Master Tool Set   | T M Mount Bar (2) | T M Saddle (1) | Tool Set No Saddle or Toolbars |
|------|----------|--------------------------|-----------|----------|----------|------------|------------|--------|-----------------------|--------------------------|-------------------|---------------------|---------------------|------------------------|-------------------------|-------------------------|----------------------------|--------------|------------|--------------|-------------------|----------------|-------------------------|-------------------|----------------|--------------------------------|
| CAT  | 935B     |                          | SALT      | 1.126    | 6.161    | 1.850      | 3.706      | 6.125  | B1902-035             | B1901-039                | N/A               | B1904-078           | B1903-639           | C5329                  | B1904-077               | B1903-076               | C6115                      | B1927-022    | 56-0146    | A2392-118B   | B1900-016         | D1054-017A     | A2656-118B              | B2543-001         | D1281-013      | 22-118B                        |
| CAT  | 935B     |                          | SEALED    | 1.129    | 6.156    | 1.850      | 4.222      | 6.125  | B1902-074             | B1901-039                | B1905-028         | B1904-078           | B1903-077           | C5004                  | B1904-077               | B1903-140               | C6004                      | B1927-022    | 56-0146    | A2392-014B   | B1900-016         | D1054-017A     | A2656-014B              | B2546-001         | 41938-001      | 22-014B                        |
| CAT  | 935C     |                          | SALT      | 1.126    | 6.161    | 1.850      | 3.706      | 6.125  | B1902-035             | B1901-039                | N/A               | B1904-078           | B1903-639           | C5329                  | B1904-077               | B1903-076               | C6115                      | B1927-022    | 56-0146    | A2392-118B   | B1900-016         | D1054-017A     | A2656-118B              | B2543-001         | D1281-013      | 22-118B                        |
| CAT  | 951B     |                          | SEALED    | 1.442    | 8.125    | 2.312      | 5.704      | 6.906  | B1902-075             | B1901-029                | B1905-024         | B1904-059           | B1903-061           | C5009B                 | B1904-058               | B1903-141               | C6009                      | A2904-001    | 56-0146    | A2392-017A   | B1900-008         | D1054-007      | A2656-017A              | B2545-002         | 51835          | 22-017A                        |
| CAT  | 951B     |                          | SEALED    | 1.442    | 8.125    | 2.118      | 5.704      | 6.735  | B1902-080             | B1901-049                | B1905-019         | B1904-043           | B1903-045           | C5009A                 | B1904-042               | B1903-044               | C6009A                     | A2904-001    | 56-0146    | A2392-042A   | B1900-019         | D1054-001A     | A2656-042A              | B2545-001         | 42101          | 22-042A                        |
| CAT  | 951C     |                          | SALT      | 1.442    | 8.120    | 2.312      | 5.210      | 6.906  | B1902-027             | B1901-029                | N/A               | B1904-059           | B1903-061           | C5009B                 | B1904-058               | B1903-060               | C6074A                     | A2904-001    | 56-0146    | A2392-041A   | B1900-008         | D1054-007      | A2656-041A              | B2545-002         | 51835          | 22-041A                        |
| CAT  | 951C     |                          | SEALED    | 1.442    | 8.125    | 2.312      | 5.704      | 6.906  | B1902-075             | B1901-029                | B1905-024         | B1904-059           | B1903-061           | C5009B                 | B1904-058               | B1903-141               | C6009                      | A2904-001    | 56-0146    | A2392-017A   | B1900-008         | D1054-007      | A2656-017A              | B2545-002         | 51835          | 22-017A                        |
| CAT  | 953K     |                          | SALT      | 1.442    | 8.120    | 2.312      | 5.210      | 6.906  | B1902-027             | B1901-029                | N/A               | B1904-059           | B1903-061           | C5009B                 | B1904-058               | B1903-060               | C6074A                     | A2904-001    | 56-0146    | A2392-041A   | B1900-008         | D1054-007      | A2656-041A              | B2545-002         | 51835          | 22-041A                        |
| CAT  | 953K     |                          | SEALED    | 1.442    | 8.125    | 2.312      | 5.704      | 6.906  | B1902-075             | B1901-029                | B1905-024         | B1904-059           | B1903-061           | C5009B                 | B1904-058               | B1903-141               | C6009                      | A2904-001    | 56-0146    | A2392-017A   | B1900-008         | D1054-007      | A2656-017A              | B2545-002         | 51835          | 22-017A                        |
| CAT  | 955H     |                          | SEALED    | 1.442    | 8.125    | 2.312      | 5.704      | 6.906  | B1902-075             | B1901-029                | B1905-024         | B1904-059           | B1903-061           | C5009B                 | B1904-058               | B1903-141               | C6009                      | A2904-001    | 56-0146    | A2392-017A   | B1900-008         | D1054-007      | A2656-017A              | B2545-002         | 51835          | 22-017A                        |
| CAT  | 955K     |                          | SEALED    | 1.442    | 8.125    | 2.312      | 5.704      | 6.906  | B1902-075             | B1901-029                | B1905-024         | B1904-059           | B1903-061           | C5009B                 | B1904-058               | B1903-141               | C6009                      | A2904-001    | 56-0146    | A2392-017A   | B1900-008         | D1054-007      | A2656-017A              | B2545-002         | 51835          | 22-017A                        |
| CAT  | 977K     |                          | SEALED    | 1.752    | 9.875    | 2.621      | 6.865      | 7.984  | B1902-076             | B1901-069                | B1905-023         | B1904-151           | B1903-057           | C5012B                 | B1904-054               | B1903-142               | C6015                      | A2904-002    | 56-0146    | A2392-022A   | B1900-015         | D1054-032      | A2656-022A              | B2158-005         | 52877-002      | 22-022A                        |
| CAT  | AP1050   |                          | SEALED    | 1.129    | 6.156    | 1.850      | 4.222      | 6.125  | B1902-074             | B1901-039                | B1905-028         | B1904-078           | B1903-077           | C5004                  | B1904-077               | B1903-140               | C6004                      | B1927-022    | 56-0146    | A2392-014B   | B1900-016         | D1054-017A     | A2656-014B              | B2546-001         | 41938-001      | 22-014B                        |
| CAT  | D10      |                          | PPR       | 2.252    | 11.974   | 3.809      | 8.270      | 10.250 | B2054-003             | B2055-002                | N/A               | B2057-006           | C1166-002/3         | C5246 / C5246-1        | B2057-005               | C1166-001               | C6157A                     | N/A          | 56-0150    | A2392-120C   | C1000-002         | D1092-003      | A2656-120C              | B2158-013         | 46180          | 22-120C                        |
| CAT  | D10      |                          | SALT      | 2.253    | 12.250   | 3.809      | 8.270      | 10.250 | B2054-002             | B2055-002                | N/A               | B2057-011           | C1166-011           | C5063                  | B2057-005               | C1166-001               | C6157A                     | A2904-003    | 56-0150    | A2392-109C   | C1000-002         | D1092-003      | A2656-109C              | B2158-013         | 42904          | 22-109C                        |
| CAT  | D10N     |                          | PPR       | 2.253    | 11.970   | 3.557      | 8.280      | 10.250 | B2054-003             | B2055-007                | N/A               | B2057-006           | C1166-002/3         | C5246 / C5246-1        | C1165-003               | C1166-010               | C6157                      | N/A          | 56-0150    | A2392-137B   | C1000-002         | D1092-003      | A2656-137B              | C1269-001         | C1277          | 22-137B                        |
| CAT  | D10N     | Korean Crawler Track     | PPR       | 2.253    | 11.976   | 3.559      | 8.283      | 10.250 | B2054-003             | B2055-007                | N/A               | B2057-022           | C1166-029           | C5319                  | C1165-024               | C1166-010               | C6342                      | N/A          | 56-0150    | A2392-484    | C1000-002         | D1092-025      |                         |                   |                | 22-484                         |
| CAT  | D10N     |                          | SALT      | 2.253    | 12.250   | 3.557      | 8.280      | 10.250 | B1902-240             | B1901-146                | N/A               | B1904-477           | B1903-511           | C5104                  | C1165-003               | C1166-010               | C6157                      | A2904-003    | 56-0150    | A2392-155B   | C1000-002         | D1092-003      | A2656-155B              | C1269-001         | C1277          | 22-317                         |
| CAT  | D10N / R | Berco CR6075D            | Snap Ring | 2.250    | 12.260   | 3.740      | 8.276      | 10.250 | B2054-022             | B2055-007                | N/A               | B2057-019           | C1166-029           | C5304                  | C1165-021               | C1166-010               | C6331                      | A2904-003    | 56-0150    | A2392-471    | C1000-002         | D1092-003      |                         |                   |                | 22-471                         |
| CAT  | D10N/R/T | Berco CR7663             | BPR2      | 2.250    | 11.969   | 3.740      | 8.276      | 10.250 | B2054-003             | B2055-007                | N/A               | B2057-006           | C1166-029           | C5301                  | C1165-003               | C1166-010               | C6157                      | A2904-003    | 56-0150    | A2390-468    | C1000-002         | D1092-003      |                         |                   |                | 22-468                         |
| CAT  | D10R     |                          | PPR       | 2.253    | 11.970   | 3.557      | 8.280      | 10.250 | B2054-003             | B2055-007                | N/A               | B2057-006           | C1166-002/3         | C5246 / C5246-1        | C1165-003               | C1166-010               | C6157                      | N/A          | 56-0150    | A2392-137B   | C1000-002         | D1092-003      | A2656-137B              | C1269-001         | C1277          | 22-137B                        |
| CAT  | D10R     |                          | SALT      | 2.253    | 12.250   | 3.557      | 8.280      | 10.250 | B1902-240             | B1901-146                | N/A               | B1904-477           | B1903-511           | C5104                  | B1904-476               | B1903-510               | C6158                      |              | 56-0146    | A2392-317    | C1000-002         | D1092-003      |                         |                   |                | 22-317                         |
| CAT  | D10T     |                          | PPR       | 2.253    | 11.970   | 3.557      | 8.280      | 10.250 | B2054-003             | B2055-007                | N/A               | B2057-006           | C1166-002/3         | C5246 / C5246-1        | C1165-003               | C1166-010               | C6157                      | N/A          | 56-0150    | A2392-137B   | C1000-002         | D1092-003      | A2656-137B              | C1269-001         | C1277          | 22-137B                        |
| CAT  | D10T     |                          | SALT      | 2.253    | 12.250   | 3.557      | 8.280      | 10.250 | B1902-240             | B1901-146                | N/A               | B1904-477           | B1903-511           | C5104                  | B1904-476               | B1903-510               | C6158                      |              | 56-0146    | A2392-317    | C1000-002         | D1092-003      |                         |                   |                | 22-317                         |
| CAT  | D11      |                          | PPR       | 2.626    | 13.810   | 4.330      | 9.340      | 12.500 | B2054-005             | B2055-004                | N/A               | B2061-003           | C1166-005/6         | C5203 / C5203A         | C1165-001               | C1166-004               | C6298                      | N/A          | 56-0150    | A2392-128B   | C1000-005         | D1092-005      | EXCEEDS TM-200 CAPACITY |                   |                | 22-128B                        |
| CAT  | D11      |                          | SALT      | 2.626    | 13.810   | 4.033      | 9.340      | 12.500 | B1902-248             | B1901-152                | N/A               | B1904-480           | B1903-514           | C5202                  | B1904-478               | B1903-512               | C6261                      |              | 56-0146    | A2392-318    | C1000-005         | D1092-005      |                         |                   |                | 22-006                         |
| CAT  | D11N     |                          | PPR       | 2.626    | 13.810   | 4.330      | 9.340      | 12.500 | B2054-005             | B2055-004                | N/A               | B2061-003           | C1166-005/6         | C5203 / C5203A         | C1165-001               | C1166-004               | C6298                      | N/A          | 56-0150    | A2392-128B   | C1000-005         | D1092-005      | EXCEEDS TM-200 CAPACITY |                   |                | 22-128B                        |
| CAT  | D11N/R/T | 144mm Heavy Duty Bushing | PPR       | 2.777    | 14.313   | 5.569      | 9.188      | 12.500 | B2054-005             | B2055-004                | N/A               | B2061-003           | C1166-005/6         | C5203 / C5203A         | C1165-001               | C1166-004               | C6298                      | N/A          | 56-0150    | A2392-128B   | C1000-005         | D1092-023      | EXCEEDS TM-200 CAPACITY |                   |                | 22-128B                        |
| CAT  | D11N/R/T | Berco Recessed Snap-Ring | SALT      | 2.777    | 14.313   | 4.326      | 9.188      | 12.500 | B1902-248             | B1901-172                | N/A               | C1165-015           | C1166-012           | C5279                  | C1165-014               | C1166-028               | C6309                      | A2904-003    | 56-0150    | A2392-447    | C1000-005         | D1092-005      | EXCEEDS TM-200 CAPACITY |                   |                | 22-447                         |
| CAT  | D11N/R/T | Berco CR7865A            | BPR2      | 2.756    | 14.134   | 4.331      | 9.244      | 12.500 | B2054-020             | B2055-016                | N/A               | C1165-018           | C1166-030           | C5302                  | C1165-019               | C1166-031               | C6330                      | A2904-003    | 56-0150    | A2392-469    | C1000-005         | D1092-005      | EXCEEDS TM-200 CAPACITY |                   |                | 22-469                         |
| CAT  | D11R     |                          | PPR       | 2.626    | 13.810   | 4.330      | 9.340      | 12.500 | B2054-005             | B2055-004                | N/A               | B2061-003           | C1166-005/6         | C5203 / C5203A         | C1165-001               | C1166-004               | C6298                      | N/A          | 56-0150    | A2392-128B   | C1000-005         | D1092-005      | EXCEEDS TM-200 CAPACITY |                   |                | 22-128B                        |
| CAT  | D11T     |                          | PPR       | 2.626    | 13.810   | 4.330      | 9.340      | 12.500 | B2054-005             | B2055-004                | N/A               | B2061-003           | C1166-005/6         | C5203 / C5203A         | C1165-001               | C1166-004               | C6298                      | N/A          | 56-0150    | A2392-128B   | C1000-005         | D1092-005      | EXCEEDS TM-200 CAPACITY |                   |                | 22-128B                        |
| CAT  | D2       |                          | RECESS    | 1.127    | 6.156    | 1.687      | 4.250      | 6.125  | B1902-249             | B1901-156                | N/A               | B1904-483           | B1903-079           | C5040B                 | B1904-484               | B1903-516               | C6067                      |              | 56-0146    | A2392-433    | B1900-016         |                |                         |                   |                | 22-433                         |
| CAT  | D2       |                          | SALT      | 1.125    | 6.180    | 1.690      | 4.255      | 6.125  | B1902-092             | B1901-114                | N/A               | B1904-481           | B1903-442           | C5040A                 | B1904-482               | B1903-515               | C6068                      |              | 56-0146    | A2392-432    | B1900-016         |                |                         |                   |                | 22-432                         |
| CAT  | D3       |                          | SALT      | 1.126    | 6.161    | 1.850      | 3.706      | 6.125  | B1902-035             | B1901-039                | N/A               | B1904-078           | B1903-639           | C5329                  | B1904-077               | B1903-076               | C6115                      | B1927-022    | 56-0146    | A2392-118B   | B1900-016         | D1054-017A     | A2656-118B              | B2543-001         | D1281-013      | 22-118B                        |
| CAT  | D3       |                          | SALT      | 1.126    | 6.161    | 1.850      | 3.706      | 6.125  | B1902-035             | B1901-039                | N/A               | B1904-078           | B1903-639           | C5329                  | B1904-077               | B1903-076               | C6115                      | B1927-022    | 56-0146    | A2392-118B   | B1900-016         | D1054-017A     | A2656-118B              | B2543-001         | D1281-013      | 22-118B                        |
| CAT  | D3       |                          | SEALED    | 1.129    | 6.156    | 1.850      | 4.222      | 6.125  | B1902-074             | B1901-039                | B1905-028         | B1904-078           | B1903-077           | C5004                  | B1904-077               | B1903-140               | C6004                      | B1927-022    | 56-0146    | A2392-014B   | B1900-016         | D1054-017A     | A2656-014B              | B2546-001         | 41938-001      | 22-014B                        |





### WTC Machinery C-Style Tool Chart

| Make | Model | Comments     | Type   | Pin Dia. | Pin Len. | Bush. Dia. | Bush. Len. | Pitch | Pin Disass'y Tool (2) | Bushing Disassy Tool (2) | Master Spacer (2) | Pin Assy Holder (2) | Pin Assy Insert (2) | Full Pin Assy Tool (2) | Bushing Assy Holder (2) | Bushing Assy Insert (2) | Full Bushing Assy Tool (2) | Pin Shim (4) | Spring (4) | WTC Tool Set | WTC Mount Bar (2) | WTC Saddle (1) | Track Master Tool Set | T M Mount Bar (2) | T M Saddle (1) | Tool Set No Saddle or Toolbars |
|------|-------|--------------|--------|----------|----------|------------|------------|-------|-----------------------|--------------------------|-------------------|---------------------|---------------------|------------------------|-------------------------|-------------------------|----------------------------|--------------|------------|--------------|-------------------|----------------|-----------------------|-------------------|----------------|--------------------------------|
| CAT  | D3    | EARLY        | SEALED | 1.129    | 6.156    | 1.850      | 4.222      | 6.125 | B1902-074             | B1901-039                | B1905-028         | B1904-078           | B1903-077           | C5004                  | B1904-077               | B1903-140               | C6004                      | B1927-022    | 56-0146    | A2392-014B   | B1900-016         | D1054-017A     | A2656-014B            | B2546-001         | 41938-001      | 22-014B                        |
| CAT  | D3    | LGP EARLY    | SEALED | 1.129    | 6.156    | 1.850      | 4.222      | 6.125 | B1902-074             | B1901-039                | B1905-028         | B1904-078           | B1903-077           | C5004                  | B1904-077               | B1903-140               | C6004                      | B1927-022    | 56-0146    | A2392-014B   | B1900-016         | D1054-017A     | A2656-014B            | B2546-001         | 41938-001      | 22-014B                        |
| CAT  | D3    | LGP          | SEALED | 1.129    | 6.156    | 1.850      | 4.222      | 6.125 | B1902-074             | B1901-039                | B1905-028         | B1904-078           | B1903-077           | C5004                  | B1904-077               | B1903-140               | C6004                      | B1927-022    | 56-0146    | A2392-014B   | B1900-016         | D1054-017A     | A2656-014B            | B2546-001         | 41938-001      | 22-014B                        |
| CAT  | D3B   |              | SALT   | 1.126    | 6.161    | 1.850      | 3.706      | 6.125 | B1902-035             | B1901-039                | N/A               | B1904-078           | B1903-639           | C5329                  | B1904-077               | B1903-076               | C6115                      | B1927-022    | 56-0146    | A2392-118B   | B1900-016         | D1054-017A     | A2656-118B            | B2543-001         | D1281-013      | 22-118B                        |
| CAT  | D3B   | LGP          | SALT   | 1.126    | 6.161    | 1.850      | 3.706      | 6.125 | B1902-035             | B1901-039                | N/A               | B1904-078           | B1903-639           | C5329                  | B1904-077               | B1903-076               | C6115                      | B1927-022    | 56-0146    | A2392-118B   | B1900-016         | D1054-017A     | A2656-118B            | B2543-001         | D1281-013      | 22-118B                        |
| CAT  | D3B   |              | SEALED | 1.129    | 6.156    | 1.850      | 4.222      | 6.125 | B1902-074             | B1901-039                | B1905-028         | B1904-078           | B1903-077           | C5004                  | B1904-077               | B1903-140               | C6004                      | B1927-022    | 56-0146    | A2392-014B   | B1900-016         | D1054-017A     | A2656-014B            | B2546-001         | 41938-001      | 22-014B                        |
| CAT  | D3C   |              | SALT   | 1.126    | 6.161    | 1.850      | 3.706      | 6.125 | B1902-035             | B1901-039                | N/A               | B1904-078           | B1903-639           | C5329                  | B1904-077               | B1903-076               | C6115                      | B1927-022    | 56-0146    | A2392-118B   | B1900-016         | D1054-017A     | A2656-118B            | B2543-001         | D1281-013      | 22-118B                        |
| CAT  | D3G   |              | SALT   | 1.126    | 6.161    | 1.850      | 3.706      | 6.125 | B1902-035             | B1901-039                | N/A               | B1904-078           | B1903-639           | C5329                  | B1904-077               | B1903-076               | C6115                      | B1927-022    | 56-0146    | A2392-118B   | B1900-016         | D1054-017A     | A2656-118B            | B2543-001         | D1281-013      | 22-118B                        |
| CAT  | D3G   |              | SEALED | 1.129    | 6.156    | 1.850      | 4.222      | 6.125 | B1902-074             | B1901-039                | B1905-028         | B1904-078           | B1903-077           | C5004                  | B1904-077               | B1903-140               | C6004                      | B1927-022    | 56-0146    | A2392-014B   | B1900-016         | D1054-017A     | A2656-014B            | B2546-001         | 41938-001      | 22-014B                        |
| CAT  | D3K   | 54MM Bushing | SALT   | 1.126    | 6.161    | 1.848      | 3.705      | 6.125 | B1902-035             | B1901-039                | N/A               | B1904-078           | B1903-639           | C5329                  | B1904-077               | B1903-076               | C6115                      | B1927-022    | 56-0146    | A2392-118B   | B1900-016         | D1054-059      | A2656-118B            | B2543-001         | D1281-013      | 22-118B                        |
| CAT  | D3K2  | 54MM Bushing | SALT   | 1.126    | 6.161    | 1.848      | 3.705      | 6.125 | B1902-035             | B1901-039                | N/A               | B1904-078           | B1903-639           | C5329                  | B1904-077               | B1903-076               | C6115                      | B1927-022    | 56-0146    | A2392-118B   | B1900-016         | D1054-059      | A2656-118B            | B2543-001         | D1281-013      | 22-118B                        |
| CAT  | D4    |              | RECESS | 1.314    | 7.000    | 1.993      | 5.000      | 6.735 | B1902-092             | B1901-129                | N/A               | B1904-487           | B1903-436           | C5011B                 | B1904-486               | B1903-437               | C6017                      |              | 56-0146    | A2392-320    | B1900-019         | D1054-004      |                       |                   |                | 22-320                         |
| CAT  | D4    |              | SALT   | 1.315    | 7.220    | 2.119      | 4.437      | 6.735 | B1902-033             | B1901-049                | N/A               | B1904-074           | B1903-073           | C5011                  | B1904-098               | B1903-095               | C6156A                     | A2904-001    | 56-0146    | A2392-093B   | B1900-019         | D1054-004      | A2656-093B            | B2545-001         | 42101          | 22-093B                        |
| CAT  | D4    | LGP          | SALT   | 1.315    | 7.220    | 2.119      | 4.437      | 6.735 | B1902-033             | B1901-049                | N/A               | B1904-074           | B1903-073           | C5011                  | B1904-098               | B1903-095               | C6156A                     | A2904-001    | 56-0146    | A2392-093B   | B1900-019         | D1054-004      | A2656-093B            | B2545-001         | 42101          | 22-093B                        |
| CAT  | D4    | w/ 5/8 BOLT  | SEALED | 1.314    | 7.000    | 1.994      | 4.804      | 6.735 | B1902-045             | B1901-071                | B1905-032         | B1904-074           | B1903-073           | C5011                  | B1904-073               | B1903-072               | C6002A                     | A2904-001    | 56-0146    | A2392-007A   | B1900-019         | D1054-004      | A2656-007A            | B2440-004         | 42101          | 22-007A                        |
| CAT  | D4    |              | SEALED | 1.314    | 7.220    | 2.119      | 4.996      | 6.735 | B1902-045             | B1901-049                | N/A               | B1904-074           | B1903-073           | C5011                  | B1904-100               | B1903-082               | C6011                      | A2904-001    | 56-0146    | A2392-072A   | B1900-019         | D1054-004      | A2656-072A            | B2545-001         | 42101          | 22-072A                        |
| CAT  | D4    |              | SALT   | 1.314    | 7.220    | 2.119      | 4.437      | 6.735 | B1902-033             | B1901-071                | N/A               | B1904-485           | B1903-436           | C5052D                 | B1904-360               | B1903-401               | C6156B                     |              | 56-0146    | A2392-319    | B1900-019         | D1054-004      |                       |                   |                | 22-319                         |
| CAT  | D4    | w/ 1/2 BOLT  | SEALED | 1.314    | 7.000    | 1.994      | 4.804      | 6.735 | B1902-045             | B1901-071                | B1905-032         | B1904-074           | B1903-073           | C5011                  | B1904-073               | B1903-072               | C6002A                     | A2904-001    | 56-0146    | A2392-007A   | B1900-019         | D1054-004      | A2656-007A            | B2440-004         | 42101          | 22-007A                        |
| CAT  | D4    | w/ 9/16 BOLT | SEALED | 1.314    | 7.000    | 1.994      | 4.804      | 6.735 | B1902-045             | B1901-049                | B1905-037         | B1904-074           | B1903-073           | C5011                  | B1904-083               | B1903-082               | C6002                      | A2904-001    | 56-0146    | A2392-010A   | B1900-019         | D1054-004      | A2656-010A            | B2440-004         | TBA            | 22-010A                        |
| CAT  | D4B   |              | SALT   | 1.126    | 6.161    | 1.850      | 3.706      | 6.125 | B1902-035             | B1901-039                | N/A               | B1904-078           | B1903-639           | C5329                  | B1904-077               | B1903-076               | C6115                      | B1927-022    | 56-0146    | A2392-118B   | B1900-016         | D1054-017A     | A2656-118B            | B2543-001         | D1281-013      | 22-118B                        |
| CAT  | D4B   | LGP          | SALT   | 1.126    | 6.161    | 1.850      | 3.706      | 6.125 | B1902-035             | B1901-039                | N/A               | B1904-078           | B1903-639           | C5329                  | B1904-077               | B1903-076               | C6115                      | B1927-022    | 56-0146    | A2392-118B   | B1900-016         | D1054-017A     | A2656-118B            | B2543-001         | D1281-013      | 22-118B                        |
| CAT  | D4B   |              | SEALED | 1.129    | 6.156    | 1.850      | 4.222      | 6.125 | B1902-074             | B1901-039                | B1905-028         | B1904-078           | B1903-077           | C5004                  | B1904-077               | B1903-140               | C6004                      | B1927-022    | 56-0146    | A2392-014B   | B1900-016         | D1054-017A     | A2656-014B            | B2546-001         | 41938-001      | 22-014B                        |
| CAT  | D4B   | LGP          | SEALED | 1.129    | 6.156    | 1.850      | 4.222      | 6.125 | B1902-074             | B1901-039                | B1905-028         | B1904-078           | B1903-077           | C5004                  | B1904-077               | B1903-140               | C6004                      | B1927-022    | 56-0146    | A2392-014B   | B1900-016         | D1054-017A     | A2656-014B            | B2546-001         | 41938-001      | 22-014B                        |
| CAT  | D4C   |              | SALT   | 1.126    | 6.161    | 1.850      | 3.706      | 6.125 | B1902-035             | B1901-039                | N/A               | B1904-078           | B1903-639           | C5329                  | B1904-077               | B1903-076               | C6115                      | B1927-022    | 56-0146    | A2392-118B   | B1900-016         | D1054-017A     | A2656-118B            | B2543-001         | D1281-013      | 22-118B                        |
| CAT  | D4C   |              | SALT   | 1.315    | 7.220    | 2.119      | 4.437      | 6.735 | B1902-033             | B1901-049                | N/A               | B1904-074           | B1903-073           | C5011                  | B1904-098               | B1903-095               | C6156A                     | A2904-001    | 56-0146    | A2392-093B   | B1900-019         | D1054-004      | A2656-093B            | B2545-001         | 42101          | 22-093B                        |
| CAT  | D4C   |              | SEALED | 1.129    | 6.156    | 1.850      | 4.222      | 6.125 | B1902-074             | B1901-039                | B1905-028         | B1904-078           | B1903-077           | C5004                  | B1904-077               | B1903-140               | C6004                      | B1927-022    | 56-0146    | A2392-014B   | B1900-016         | D1054-017A     | A2656-014B            | B2546-001         | 41938-001      | 22-014B                        |
| CAT  | D4C   | w/ 5/8 BOLT  | SEALED | 1.314    | 7.000    | 1.994      | 4.804      | 6.735 | B1902-045             | B1901-071                | B1905-032         | B1904-074           | B1903-073           | C5011                  | B1904-073               | B1903-072               | C6002A                     | A2904-001    | 56-0146    | A2392-007A   | B1900-019         | D1054-004      | A2656-007A            | B2440-004         | 42101          | 22-007A                        |
| CAT  | D4C   | w/ 5/8 BOLT  | SEALED | 1.314    | 7.220    | 2.119      | 4.996      | 6.735 | B1902-045             | B1901-049                | N/A               | B1904-074           | B1903-073           | C5011                  | B1904-100               | B1903-082               | C6011                      | A2904-001    | 56-0146    | A2392-072A   | B1900-019         | D1054-004      | A2656-072A            | B2545-001         | 42101          | 22-072A                        |
| CAT  | D4C   | w/ 1/2 BOLT  | SEALED | 1.314    | 7.000    | 1.994      | 4.804      | 6.735 | B1902-045             | B1901-071                | B1905-032         | B1904-074           | B1903-073           | C5011                  | B1904-073               | B1903-072               | C6002A                     | A2904-001    | 56-0146    | A2392-007A   | B1900-019         | D1054-004      | A2656-007A            | B2440-004         | 42101          | 22-007A                        |
| CAT  | D4C   | w/ 9/16 BOLT | SEALED | 1.314    | 7.000    | 1.994      | 4.804      | 6.735 | B1902-045             | B1901-049                | N/A               | B1904-074           | B1903-073           | C5011                  | B1904-083               | B1903-082               | C6002                      | A2904-001    | 56-0146    | A2392-010A   | B1900-019         | D1054-004      | A2656-010A            | B2440-004         | TBA            | 22-010A                        |
| CAT  | D4D   |              | SALT   | 1.315    | 7.220    | 2.119      | 4.437      | 6.735 | B1902-033             | B1901-049                | N/A               | B1904-074           | B1903-073           | C5011                  | B1904-098               | B1903-095               | C6156A                     | A2904-001    | 56-0146    | A2392-093B   | B1900-019         | D1054-004      | A2656-093B            | B2545-001         | 42101          | 22-093B                        |
| CAT  | D4D   |              | SALT   | 1.314    | 7.220    | 2.119      | 4.437      | 6.735 | B1902-033             | B1901-071                | N/A               | B1904-485           | B1903-436           | C5052D                 | B1904-360               | B1903-401               | C6156B                     |              | 56-0146    | A2392-319    | B1900-019         | D1054-004      |                       |                   |                | 22-319                         |
| CAT  | D4D   |              | SEALED | 1.314    | 7.220    | 2.118      | 4.990      | 6.735 | B1902-045             | B1901-049                | B1905-044         | B1904-074           | B1903-073           | C5011                  | B1904-100               | B1903-082               | C6011                      | A2904-001    | 56-0146    | A2392-124B   | B1900-019         | D1054-004      | A2656-124B            | B2545-001         | 43574          | 22-124B                        |
| CAT  | D4D   | w/ 5/8 BOLT  | SEALED | 1.314    | 7.000    | 1.994      | 4.804      | 6.735 | B1902-045             | B1901-071                | B1905-032         | B1904-074           | B1903-073           | C5011                  | B1904-073               | B1903-072               | C6002A                     | A2904-001    | 56-0146    | A2392-007A   | B1900-019         | D1054-004      | A2656-007A            | B2440-004         | 42101          | 22-007A                        |
| CAT  | D4D   | w/ 5/8 BOLT  | SEALED | 1.314    | 7.220    | 2.119      | 4.996      | 6.735 | B1902-045             | B1901-049                | N/A               | B1904-074           | B1903-073           | C5011                  | B1904-100               | B1903-082               | C6011                      | A2904-001    | 56-0146    | A2392-072A   | B1900-019         | D1054-004      | A2656-072A            | B2545-001         | 42101          | 22-072A                        |
| CAT  | D4D   | w/ 1/2 BOLT  | SEALED | 1.314    | 7.000    | 1.994      | 4.804      | 6.735 | B1902-045             | B1901-071                | B1905-032         | B1904-074           | B1903-073           | C5011                  | B1904-073               | B1903-072               | C6002A                     | A2904-001    | 56-0146    | A2392-007A   | B1900-019         | D1054-004      | A2656-007A            | B2440-004         | 42101          | 22-007A                        |
| CAT  | D4D   | w/ 9/16 BOLT | SEALED | 1.314    | 7.000    | 1.994      | 4.804      | 6.735 | B1902-045             | B1901-049                | N/A               | B1904-074           | B1903-073           | C5011                  | B1904-083               | B1903-082               | C6002                      | A2904-001    | 56-0146    | A2392-010A   | B1900-019         | D1054-004      | A2656-010A            | B2440-004         | TBA            | 22-010A                        |



**WTC Machinery  
C-Style Tool Chart**

| Make | Model | Comments       | Type   | Pin Dia. | Pin Len. | Bush. Dia. | Bush. Len. | Pitch | Pin Disass'y Tool (2) | Bushing Disassy Tool (2) | Master Spacer (2) | Pin Assy Holder (2) | Pin Assy Insert (2) | Full Pin Assy Tool (2) | Bushing Assy Holder (2) | Bushing Assy Insert (2) | Full Bushing Assy Tool (2) | Pin Shim (4) | Spring (4) | WTC Tool Set | WTC Mount Bar (2) | WTC Saddle (1) | Track Master Tool Set | T M Mount Bar (2) | T M Saddle (1) | Tool Set No Saddle or Toolbars |
|------|-------|----------------|--------|----------|----------|------------|------------|-------|-----------------------|--------------------------|-------------------|---------------------|---------------------|------------------------|-------------------------|-------------------------|----------------------------|--------------|------------|--------------|-------------------|----------------|-----------------------|-------------------|----------------|--------------------------------|
| CAT  | D4E   |                | SALT   | 1.314    | 7.220    | 2.119      | 4.437      | 6.735 | B1902-033             | B1901-071                | N/A               | B1904-485           | B1903-436           | C5052D                 | B1904-360               | B1903-401               | C6156B                     |              | 56-0146    | A2392-319    | B1900-019         | D1054-004      |                       |                   |                | 22-319                         |
| CAT  | D4E   | w/ 5/8 BOLT    | SEALED | 1.314    | 7.220    | 2.119      | 4.996      | 6.735 | B1902-045             | B1901-049                | N/A               | B1904-074           | B1903-073           | C5011                  | B1904-100               | B1903-082               | C6011                      | A2904-001    | 56-0146    | A2392-072A   | B1900-019         | D1054-004      | A2656-072A            | B2545-001         | 42101          | 22-072A                        |
| CAT  | D4G   |                | SALT   | 1.126    | 6.161    | 1.850      | 3.706      | 6.125 | B1902-035             | B1901-039                | N/A               | B1904-078           | B1903-639           | C5329                  | B1904-077               | B1903-076               | C6115                      | B1927-022    | 56-0146    | A2392-118B   | B1900-016         | D1054-017A     | A2656-118B            | B2543-001         | D1281-013      | 22-118B                        |
| CAT  | D4G   |                | SEALED | 1.129    | 6.156    | 1.850      | 4.222      | 6.125 | B1902-074             | B1901-039                | B1905-028         | B1904-078           | B1903-077           | C5004                  | B1904-077               | B1903-140               | C6004                      | B1927-022    | 56-0146    | A2392-014B   | B1900-016         | D1054-017A     | A2656-014B            | B2546-001         | 41938-001      | 22-014B                        |
| CAT  | D4H   | LGP            | PPR    | 1.315    | 7.287    | 2.205      | 4.437      | 6.735 | B1902-092             | B1901-071                | N/A               | B1904-489           | B1903-436           | C5247                  | B1904-488               | B1903-517               | C6156C                     |              | 56-0146    | A2392-321    | B1900-019         | D1054-003      |                       |                   |                | 22-321                         |
| CAT  | D4H   | HD             | SALT   | 1.418    | 8.445    | 2.366      | 4.670      | 6.735 | B1902-216             | B1901-116                | N/A               | B1904-320           | B1903-364           | C5145                  | B1904-319               | B1903-363               | C6205                      | A2904-001    | 56-0146    | A2392-273    | B1900-019         | D1054-003      | A2656-273             | B2158-003         | 42101          | 22-273                         |
| CAT  | D4H   | NEW 6Y5407     | SALT   | 1.318    | 7.535    | 2.228      | 4.437      | 6.735 | B1902-208             | B1901-070                | N/A               | B1904-074           | B1903-339           | C5149                  | B1904-303               | B1903-138               | C6203                      | A2904-001    | 56-0146    | A2392-254    | B1900-019         | D1054-001A     | A2656-254             | B2545-001         | 52875          | 22-254                         |
| CAT  | D4H   | TSK CUS SKD    | SALT   | 1.318    | 7.535    | 2.228      | 4.437      | 6.735 | B1902-208             | B1901-070                | N/A               | B1904-074           | B1903-339           | C5149                  | B1904-303               | B1903-138               | C6203                      | A2904-001    | 56-0146    | A2392-254    | B1900-019         | D1054-001A     | A2656-254             | B2545-001         | 52875          | 22-254                         |
| CAT  | D4H   | Berco CR5192B  | SALT   | 1.312    | 7.599    | 2.205      | 4.437      | 6.732 | B1902-092             | B1901-210                | N/A               | B1904-722           | B1903-436           | C5298                  | B1904-723               | B1903-624               | C6326                      | A2904-001    | 56-0146    | A2390-464    | B1900-019         | D1054-004      |                       |                   |                | 22-464                         |
| CAT  | D4K   | 54 MM Bushing  | SALT   | 1.126    | 6.161    | 1.848      | 3.705      | 6.125 | B1902-035             | B1901-039                | N/A               | B1904-078           | B1903-639           | C5329                  | B1904-077               | B1903-076               | C6115                      | B1927-022    | 56-0146    | A2392-118B   | B1900-016         | D1054-059      | A2656-118B            | B2543-001         | D1281-013      | 22-118B                        |
| CAT  | D4K2  | 54 MM Bushing  | SALT   | 1.126    | 6.161    | 1.848      | 3.705      | 6.125 | B1902-035             | B1901-039                | N/A               | B1904-078           | B1903-639           | C5329                  | B1904-077               | B1903-076               | C6115                      | B1927-022    | 56-0146    | A2392-118B   | B1900-016         | D1054-059      | A2656-118B            | B2543-001         | D1281-013      | 22-118B                        |
| CAT  | D5    | PRO            | SALT   | 1.442    | 8.120    | 2.312      | 5.214      | 6.906 | B1902-027             | B1901-029                | N/A               | B1904-135           | B1903-061           | C5052C                 | B1904-058               | B1903-060               | C6074A                     | A2904-002    | 56-0146    | A2392-146A   | B1900-008         | D1054-029      | A2656-146A            | B2545-002         | D1281-014      | 22-146A                        |
| CAT  | D5    |                | SALT   | 1.442    | 8.120    | 2.312      | 5.210      | 6.906 | B1902-027             | B1901-029                | N/A               | B1904-059           | B1903-061           | C5009B                 | B1904-058               | B1903-060               | C6074A                     | A2904-001    | 56-0146    | A2392-041A   | B1900-008         | D1054-007      | A2656-041A            | B2545-002         | 51835          | 22-041A                        |
| CAT  | D5    |                | SEALED | 1.442    | 8.125    | 2.312      | 5.704      | 6.906 | B1902-075             | B1901-029                | B1905-024         | B1904-059           | B1903-061           | C5009B                 | B1904-058               | B1903-141               | C6009                      | A2904-001    | 56-0146    | A2392-017A   | B1900-008         | D1054-007      | A2656-017A            | B2545-002         | 51835          | 22-017A                        |
| CAT  | D5B   |                | SALT   | 1.442    | 8.120    | 2.312      | 5.210      | 6.906 | B1902-027             | B1901-029                | N/A               | B1904-059           | B1903-061           | C5009B                 | B1904-058               | B1903-060               | C6074A                     | A2904-001    | 56-0146    | A2392-041A   | B1900-008         | D1054-007      | A2656-041A            | B2545-002         | 51835          | 22-041A                        |
| CAT  | D5B   |                | SEALED | 1.442    | 8.125    | 2.312      | 5.704      | 6.906 | B1902-075             | B1901-029                | B1905-024         | B1904-059           | B1903-061           | C5009B                 | B1904-058               | B1903-141               | C6009                      | A2904-001    | 56-0146    | A2392-017A   | B1900-008         | D1054-007      | A2656-017A            | B2545-002         | 51835          | 22-017A                        |
| CAT  | D5C   |                | SALT   | 1.318    | 7.535    | 2.228      | 4.437      | 6.735 | B1902-208             | B1901-070                | N/A               | B1904-074           | B1903-339           | C5149                  | B1904-303               | B1903-138               | C6203                      | A2904-001    | 56-0146    | A2392-254    | B1900-019         | D1054-001A     | A2656-254             | B2545-001         | 52875          | 22-254                         |
| CAT  | D5G   |                | SALT   | 1.318    | 7.535    | 2.228      | 4.437      | 6.735 | B1902-208             | B1901-070                | N/A               | B1904-074           | B1903-339           | C5149                  | B1904-303               | B1903-138               | C6203                      | A2904-001    | 56-0146    | A2392-254    | B1900-019         | D1054-001A     | A2656-254             | B2545-001         | 52875          | 22-254                         |
| CAT  | D5G   | XL             | SALT   | 1.318    | 7.535    | 2.228      | 4.437      | 6.735 | B1902-208             | B1901-070                | N/A               | B1904-074           | B1903-339           | C5149                  | B1904-303               | B1903-138               | C6203                      | A2904-001    | 56-0146    | A2392-254    | B1900-019         | D1054-001A     | A2656-254             | B2545-001         | 52875          | 22-254                         |
| CAT  | D5H   | EARLY          | SALT   | 1.443    | 8.122    | 2.413      | 5.214      | 7.480 | B1902-027             | B1901-029                | N/A               | B1904-135           | B1903-061           | C5052C                 | B1904-136               | B1903-134               | C6074B                     | A2904-001    | 56-0146    | A2392-223    | B1900-002         | D1054-027      | A2656-223             | B2546-001         | 52876-002      | 22-223                         |
| CAT  | D5H   | QUAD           | SALT   | 1.443    | 8.122    | 2.413      | 5.214      | 7.480 | B1902-027             | B1901-029                | N/A               | B1904-135           | B1903-061           | C5052C                 | B1904-136               | B1903-134               | C6074B                     | A2904-001    | 56-0146    | A2392-145B   | B1900-002         | D1054-027      | A2656-145B            | B2546-001         | 52876-002      | 22-145B                        |
| CAT  | D5H   | TSK CUS SKD    | SALT   | 1.443    | 8.183    | 2.413      | 5.214      | 7.480 | B1902-093             | B1901-036                | N/A               | B1904-492           | B1903-459           | C5052E                 | B1904-493               | B1903-518               | C6074C                     |              | 56-0146    | A2392-324    | B1900-002         | D1054-027      |                       |                   |                | 22-324                         |
| CAT  | D5H   | HD             | SALT   | 1.495    | 9.392    | 2.495      | 5.684      | 7.480 | B1902-027             | B1901-121                | N/A               | B1904-168           | B1903-359           | C5145A                 | B1904-316               | B1903-358               | C6201                      | A2904-001    | 56-0146    | A2392-269    | B1900-002         | D1054-056      | A2656-269             | B2546-001         | 52876-002      | 22-269                         |
| CAT  | D5K   | 60,8MM Bushing | SALT   | 1.318    | 7.535    | 2.204      | 4.447      | 6.735 | B1902-208             | B1901-070                | N/A               | B1904-074           | B1903-339           | C5149                  | B1904-303               | B1903-138               | C6203                      | A2904-001    | 56-0146    | A2392-254    | B1900-019         | D1054-058      | A2656-254             | B2545-001         | 52875          | 22-254                         |
| CAT  | D5K2  | 60,8MM Bushing | SALT   | 1.318    | 7.535    | 2.204      | 4.447      | 6.735 | B1902-208             | B1901-070                | N/A               | B1904-074           | B1903-339           | C5149                  | B1904-303               | B1903-138               | C6203                      | A2904-001    | 56-0146    | A2392-254    | B1900-019         | D1054-058      | A2656-254             | B2545-001         | 52875          | 22-254                         |
| CAT  | D5M   |                | SALT   | 1.418    | 8.445    | 2.366      | 4.670      | 6.735 | B1902-216             | B1901-116                | N/A               | B1904-320           | B1903-364           | C5145                  | B1904-319               | B1903-363               | C6205                      | A2904-001    | 56-0146    | A2392-273    | B1900-019         | D1054-003      | A2656-273             | B2158-003         | 42101          | 22-273                         |
| CAT  | D5N   |                | SALT   | 1.418    | 8.445    | 2.366      | 4.670      | 6.735 | B1902-216             | B1901-116                | N/A               | B1904-320           | B1903-364           | C5145                  | B1904-319               | B1903-363               | C6205                      | A2904-001    | 56-0146    | A2392-273    | B1900-019         | D1054-003      | A2656-273             | B2158-003         | 42101          | 22-273                         |
| CAT  | D6    | LGP            | SALT   | 1.753    | 9.060    | 2.621      | 5.783      | 7.980 | B1902-023             | B1901-069                | N/A               | B1904-153           | B1903-057           | C5003                  | B1904-138               | B1903-219               | C6003                      | A2904-002    | 56-0156    | A2392-086B   | B1900-015         | D1054-032      | A2656-086B            | 2158-005          | 51743          | 22-086B                        |
| CAT  | D6    | PRO            | SALT   | 1.753    | 9.060    | 2.621      | 5.783      | 7.980 | B1902-023             | B1901-069                | N/A               | B1904-055           | B1903-151           | C5003B                 | B1904-054               | B1903-144               | C6006                      | A2904-002    | 56-0146    | A2392-147B   | B1900-015         | D1054-032      | A2656-147B            | B2158-005         | 52653          | 22-147B                        |
| CAT  | D6    |                | SALT   | 1.753    | 9.060    | 2.750      | 5.780      | 7.985 | B1902-023             | B1901-024                | N/A               | B1904-155           | B1903-057           | C5081                  | B1904-138               | B1903-136               | C6155A                     | A2904-002    | 56-0146    | A2392-148A   | B1900-015         | D1054-032      | A2656-148A            | B2158-005         | D1281-017      | 22-148A                        |
| CAT  | D6    |                | SEALED | 1.442    | 8.125    | 2.118      | 5.704      | 6.735 | B1902-080             | B1901-049                | B1905-019         | B1904-043           | B1903-045           | C5009A                 | B1904-042               | B1903-044               | C6009A                     | A2904-001    | 56-0146    | A2392-042A   | B1900-019         | D1054-001A     | A2656-042A            | B2545-001         | 42101          | 22-042A                        |
| CAT  | D6    |                | SEALED | 1.752    | 9.060    | 2.621      | 6.365      | 7.985 | B1902-078             | B1901-069                | B1905-026         | B1904-055           | B1903-057           | C5003A                 | B1904-054               | B1903-056               | C6003A                     | A2904-002    | 56-0146    | A2392-052A   | B1900-015         | D1054-032      | A2656-052A            | B2158-005         | 52877          | 22-052A                        |
| CAT  | D6    | LGP            | SEALED | 1.752    | 9.060    | 2.621      | 6.365      | 7.985 | B1902-078             | B1901-069                | B1905-026         | B1904-055           | B1903-057           | C5003A                 | B1904-054               | B1903-056               | C6003A                     | A2904-002    | 56-0146    | A2392-052A   | B1900-015         | D1054-032      | A2656-052A            | B2158-005         | 52877          | 22-052A                        |
| CAT  | D6B   |                | SEALED | 1.442    | 8.125    | 2.118      | 5.704      | 6.735 | B1902-080             | B1901-049                | B1905-019         | B1904-043           | B1903-045           | C5009A                 | B1904-042               | B1903-044               | C6009A                     | A2904-001    | 56-0146    | A2392-042A   | B1900-019         | D1054-001A     | A2656-042A            | B2545-001         | 42101          | 22-042A                        |
| CAT  | D6C   |                | SALT   | 1.753    | 9.060    | 2.621      | 5.783      | 7.980 | B1902-023             | B1901-069                | N/A               | B1904-153           | B1903-057           | C5003                  | B1904-138               | B1903-219               | C6003                      | A2904-002    | 56-0156    | A2392-086B   | B1900-015         | D1054-032      | A2656-086B            | 2158-005          | 51743          | 22-086B                        |
| CAT  | D6C   |                | SEALED | 1.252    | 9.060    | 2.621      | 6.356      | 7.984 | B1902-078             | B1901-069                | B1905-023         | B1904-055           | B1903-151           | C5003B                 | B1904-054               | B1903-056               | C6003A                     | A2904-002    | 56-0146    | A2392-125A   | B1900-015         | D1054-032      | A2656-125A            | B2158-005         | 52877-001      | 22-125A                        |
| CAT  | D6C   |                | SEALED | 1.252    | 9.060    | 2.621      | 6.356      | 7.984 | B1902-078             | B1901-069                | B1905-023         | B1904-055           | B1903-151           | C5003B                 | B1904-054               | B1903-056               | C6003A                     | A2904-002    | 56-0146    | A2392-125A   | B1900-015         | D1054-032      | A2656-125A            | B2158-005         | 52877-001      | 22-125A                        |



## WTC Machinery C-Style Tool Chart

| Make | Model   | Comments                  | Type   | Pin Dia. | Pin Len. | Bush. Dia. | Bush. Len. | Pitch | Pin Disass'y Tool (2) | Bushing Disassy Tool (2) | Master Spacer (2) | Pin Assy Holder (2) | Pin Assy Insert (2) | Full Pin Assy Tool (2) | Bushing Assy Holder (2) | Bushing Assy Insert (2) | Full Bushing Assy Tool (2) | Pin Shim (4) | Spring (4) | WTC Tool Set | WTC Mount Bar (2) | WTC Saddle (1) | Track Master Tool Set | T M Mount Bar (2) | T M Saddle (1) | Tool Set No Saddle or Toolbars |
|------|---------|---------------------------|--------|----------|----------|------------|------------|-------|-----------------------|--------------------------|-------------------|---------------------|---------------------|------------------------|-------------------------|-------------------------|----------------------------|--------------|------------|--------------|-------------------|----------------|-----------------------|-------------------|----------------|--------------------------------|
| CAT  | D6C     |                           | SEALED | 1.752    | 9.060    | 2.621      | 6.365      | 7.985 | B1902-078             | B1901-069                | B1905-026         | B1904-055           | B1903-057           | C5003A                 | B1904-054               | B1903-056               | C6003A                     | A2904-002    | 56-0146    | A2392-052A   | B1900-015         | D1054-032      | A2656-052A            | B2158-005         | 52877          | 22-052A                        |
| CAT  | D6D     |                           | SALT   | 1.753    | 9.060    | 2.621      | 5.783      | 7.980 | B1902-023             | B1901-069                | N/A               | B1904-153           | B1903-057           | C5003                  | B1904-138               | B1903-219               | C6003                      | A2904-002    | 56-0156    | A2392-086B   | B1900-015         | D1054-032      | A2656-086B            | 2158-005          | 51743          | 22-086B                        |
| CAT  | D6D     |                           | SEALED | 1.252    | 9.060    | 2.621      | 6.356      | 7.984 | B1902-078             | B1901-069                | B1905-023         | B1904-055           | B1903-151           | C5003B                 | B1904-054               | B1903-056               | C6003A                     | A2904-002    | 56-0146    | A2392-125A   | B1900-015         | D1054-032      | A2656-125A            | B2158-005         | 52877-001      | 22-125A                        |
| CAT  | D6D     |                           | SEALED | 1.752    | 9.060    | 2.621      | 6.365      | 7.985 | B1902-078             | B1901-069                | B1905-026         | B1904-055           | B1903-057           | C5003A                 | B1904-054               | B1903-056               | C6003A                     | A2904-002    | 56-0146    | A2392-052A   | B1900-015         | D1054-032      | A2656-052A            | B2158-005         | 52877          | 22-052A                        |
| CAT  | D6E     |                           | SALT   | 1.753    | 9.060    | 2.621      | 5.783      | 7.980 | B1902-023             | B1901-069                | N/A               | B1904-055           | B1903-151           | C5003B                 | B1904-054               | B1903-144               | C6006                      | A2904-002    | 56-0146    | A2392-147B   | B1900-015         | D1054-032      | A2656-147B            | B2158-005         | 52653          | 22-147B                        |
| CAT  | D6H     | EARLY                     | SALT   | 1.753    | 9.060    | 2.750      | 5.780      | 7.985 | B1902-023             | B1901-024                | N/A               | B1904-155           | B1903-057           | C5081                  | B1904-138               | B1903-136               | C6155A                     | A2904-002    | 56-0146    | A2392-224    | B1900-015         | D1054-032      | A2656-224B            | A2656-224B        | B2158-005      | 22-224                         |
| CAT  | D6H     |                           | SALT   | 1.753    | 9.060    | 2.750      | 5.780      | 7.985 | B1902-023             | B1901-024                | N/A               | B1904-155           | B1903-057           | C5081                  | B1904-138               | B1903-136               | C6155A                     | A2904-002    | 56-0146    | A2392-148A   | B1900-015         | D1054-032      | A2656-148A            | B2158-005         | D1281-017      | 22-148A                        |
| CAT  | D6H     | HD                        | SALT   | 1.753    | 10.315   | 2.864      | 6.334      | 8.000 | B1902-023             | B1901-118                | N/A               | B1904-155           | B1903-346           | C5143                  | B2626                   | B1903-347               | C6155                      | A2904-002    | 56-0146    | A2392-259    | B1900-015         | D1054-053      | A2656-259             | B2158-005         | 52877-002      | 22-259                         |
| CAT  | D6K2    |                           | SALT   | 1.495    | 9.392    | 2.495      | 5.684      | 7.480 | B1902-027             | B1901-121                | N/A               | B1904-168           | B1903-359           | C5145A                 | B1904-316               | B1903-358               | C6201                      | A2904-001    | 56-0146    | A2392-269    | B1900-002         | D1054-056      | A2656-269             | B2546-001         | 52876-002      | 22-269                         |
| CAT  | D6M     |                           | SALT   | 1.495    | 9.392    | 2.495      | 5.684      | 7.480 | B1902-027             | B1901-121                | N/A               | B1904-168           | B1903-359           | C5145A                 | B1904-316               | B1903-358               | C6201                      | A2904-001    | 56-0146    | A2392-269    | B1900-002         | D1054-056      | A2656-269             | B2546-001         | 52876-002      | 22-269                         |
| CAT  | D6N     |                           | SALT   | 1.495    | 9.392    | 2.495      | 5.684      | 7.480 | B1902-027             | B1901-121                | N/A               | B1904-168           | B1903-359           | C5145A                 | B1904-316               | B1903-358               | C6201                      | A2904-001    | 56-0146    | A2392-269    | B1900-002         | D1054-056      | A2656-269             | B2546-001         | 52876-002      | 22-269                         |
| CAT  | D6M     | PPR2                      | SALT   | 1.496    | 8.946    | 2.496      | 5.685      | 7.480 | B1902-027             | B1901-223                | N/A               | B1904-748           | B1903-636           | C5324                  | B1904-316               | B1903-358               | C6201                      | A2904-001    | 56-0156    | A2392-488    | B1900-002         | D1054-056      |                       |                   |                | 22-488                         |
| CAT  | D6N     | PPR2                      | SALT   | 1.496    | 8.946    | 2.496      | 5.685      | 7.480 | B1902-027             | B1901-223                | N/A               | B1904-748           | B1903-636           | C5324                  | B1904-316               | B1903-358               | C6201                      | A2904-001    | 56-0156    | A2392-488    | B1900-002         | D1054-056      |                       |                   |                | 22-488                         |
| CAT  | D6R     |                           | SALT   | 1.753    | 10.315   | 2.864      | 6.334      | 8.000 | B1902-023             | B1901-118                | N/A               | B1904-155           | B1903-346           | C5143                  | B2626                   | B1903-347               | C6155                      | A2904-002    | 56-0146    | A2392-259    | B1900-015         | D1054-053      | A2656-259             | B2158-005         | 52877-002      | 22-259                         |
| CAT  | D6T     | PPR2                      | SALT   | 1.753    | 10.315   | 2.770      | 6.334      | 7.984 | B1902-317             | B1901-118                | N/A               | B1904-749           | B1903-346           | C5326                  | B2626                   | B1903-347               | C6155                      | A2904-002    | 56-0146    | A2392-489    | B1900-015         | D1054-053      |                       | B2158-005         | 52877-002      | 22-489                         |
| CAT  | D6 / XE | HDXL                      | PPR2   | 1.732    | 9.882    | 2.769      | 6.333      | 8.000 | B1902-023             | B1901-217                | N/A               | B1904-738           | B1903-346           | C5317                  | B2626                   | B1903-347               | C6155                      | A2904-002    | 56-0146    | A2392-482    | B1900-015         | D1054-053      | 22-482                |                   |                |                                |
| CAT  | D7      | PRO                       | SALT   | 1.877    | 9.880    | 2.812      | 6.409      | 8.500 | B1902-011             | B1901-067                | N/A               | B1904-020           | B1903-154           | C5006A                 | B1904-019               | B1903-220               | C6006A                     | A2904-002    | 56-0150    | A2392-154B   | B1900-009         | D1096-001      | A2656-154B            | B2158-006         | D1281-019      | 22-0154B                       |
| CAT  | D7      | w/ 5/8 BOLT               | SEALED | 1.752    | 9.875    | 2.621      | 6.865      | 7.984 | B1902-076             | B1901-069                | B1905-023         | B1904-151           | B1903-057           | C5012B                 | B1904-054               | B1903-142               | C6015                      | A2904-002    | 56-0146    | A2392-022A   | B1900-015         | D1054-032      | A2656-022A            | B2158-005         | 52877          | 22-022A                        |
| CAT  | D7      | w/ 3/4 BOLT               | SEALED | 1.752    | 9.875    | 2.621      | 6.865      | 7.984 | B1902-076             | B1901-069                | B1905-023         | B1904-151           | B1903-057           | C5012B                 | B1904-054               | B1903-142               | C6015                      | A2904-002    | 56-0146    | A2392-022A   | B1900-015         | D1054-032      | A2656-022A            | B2158-005         | 52877-002      | 22-022A                        |
| CAT  | D7      |                           | SEALED | 1.752    | 9.875    | 2.621      | 6.865      | 7.984 | B1902-076             | B1901-069                | B1905-023         | B1904-151           | B1903-057           | C5012B                 | B1904-054               | B1903-142               | C6015                      | A2904-002    | 56-0146    | A2392-022A   | B1900-015         | D1054-032      | A2656-022A            | B2158-005         | 52877-002      | 22-022A                        |
| CAT  | D7C     | w/ 5/8 BOLT               | SEALED | 1.752    | 9.875    | 2.621      | 6.865      | 7.984 | B1902-076             | B1901-069                | B1905-023         | B1904-151           | B1903-057           | C5012B                 | B1904-054               | B1903-142               | C6015                      | A2904-002    | 56-0146    | A2392-022A   | B1900-015         | D1054-032      | A2656-022A            |                   | 52877          | 22-022A                        |
| CAT  | D7C     | w/ 3/4 BOLT               | SEALED | 1.752    | 9.875    | 2.621      | 6.865      | 7.984 | B1902-076             | B1901-069                | B1905-023         | B1904-151           | B1903-057           | C5012B                 | B1904-054               | B1903-142               | C6015                      | A2904-002    | 56-0146    | A2392-022A   | B1900-015         | D1054-032      | A2656-022A            | B2158-005         | 52877-002      | 22-022A                        |
| CAT  | D7C     |                           | SEALED | 1.752    | 9.875    | 2.621      | 6.865      | 7.984 | B1902-076             | B1901-069                | B1905-023         | B1904-151           | B1903-057           | C5012B                 | B1904-054               | B1903-142               | C6015                      | A2904-002    | 56-0146    | A2392-022A   | B1900-015         | D1054-032      | A2656-022A            | B2158-005         | 52877-002      | 22-022A                        |
| CAT  | D7D     | w/ 5/8 BOLT               | SEALED | 1.752    | 9.875    | 2.621      | 6.865      | 7.984 | B1902-076             | B1901-069                | B1905-023         | B1904-151           | B1903-057           | C5012B                 | B1904-054               | B1903-142               | C6015                      | A2904-002    | 56-0146    | A2392-022A   | B1900-015         | D1054-032      | A2656-022A            | B2158-005         | 52877          | 22-022A                        |
| CAT  | D7D     | w/ 3/4 BOLT               | SEALED | 1.752    | 9.875    | 2.621      | 6.865      | 7.984 | B1902-076             | B1901-069                | B1905-023         | B1904-151           | B1903-057           | C5012B                 | B1904-054               | B1903-142               | C6015                      | A2904-002    | 56-0146    | A2392-022A   | B1900-015         | D1054-032      | A2656-022A            | B2158-005         | 52877-002      | 22-022A                        |
| CAT  | D7D     |                           | SEALED | 1.752    | 9.875    | 2.621      | 6.865      | 7.984 | B1902-076             | B1901-069                | B1905-023         | B1904-151           | B1903-057           | C5012B                 | B1904-054               | B1903-142               | C6015                      | A2904-002    | 56-0146    | A2392-022A   | B1900-015         | D1054-032      | A2656-022A            | B2158-005         | 52877-002      | 22-022A                        |
| CAT  | D7E     | 1970's Non-electric       | SALT   | 1.877    | 9.880    | 2.812      | 6.409      | 8.500 | B1902-011             | B1901-067                | N/A               | B1904-020           | B1903-154           | C5006A                 | B1904-019               | B1903-220               | C6006A                     | A2904-002    | 56-0150    | A2392-154B   | B1900-009         | D1096-001      | A2656-154B            | B2158-006         | D1281-019      | 22-0154B                       |
| CAT  | D7E     | Electric Drive After 2006 | SALT   | 1.878    | 10.885   | 3.090      | 6.800      | 8.500 | B1902-315             | B1901-203                | N/A               | B1904-708           | B1903-090           | C5290                  | B1904-709               | B1903-615               | C6318                      | A2904-002    | 56-0150    | A2392-456    | B1900-009         | D1096-002A     |                       |                   |                | 22-456                         |
| CAT  | D7E     |                           | SEALED | 1.877    | 9.880    | 2.812      | 6.963      | 8.500 | B1902-072             | B1901-067                | B1905-009         | B1904-020           | B1903-021           | C5012A                 | B1904-019               | B1903-020               | C6013                      | A2904-002    | 56-0150    | A2392-074A   | B1900-009         | D1096-001      | A2656-074A            | B2158-006         | 41955          | 22-074A                        |
| CAT  | D7E     |                           | SEALED | 1.877    | 9.880    | 2.812      | 6.963      | 8.500 | B1902-072             | B1901-067                | B1905-046         | B1904-020           | B1903-021           | C5012A                 | B1904-019               | B1903-020               | C6013                      | A2904-002    | 56-0150    | A2392-126A   | B1900-009         | D1096-001      | A2656-126A            | B2158-006         | 41623          | 22-126A                        |
| CAT  | D7F     |                           | SALT   | 1.877    | 9.880    | 2.812      | 6.409      | 8.500 | B1902-011             | B1901-067                | N/A               | B1904-020           | B1903-154           | C5006A                 | B1904-019               | B1903-220               | C6006A                     | A2904-002    | 56-0150    | A2392-154B   | B1900-009         | D1096-001      | A2656-154B            | B2158-006         | D1281-019      | 22-0154B                       |
| CAT  | D7F     |                           | SEALED | 1.877    | 9.880    | 2.812      | 6.963      | 8.500 | B1902-072             | B1901-067                | B1905-009         | B1904-020           | B1903-021           | C5012A                 | B1904-019               | B1903-020               | C6013                      | A2904-002    | 56-0150    | A2392-074A   | B1900-009         | D1096-001      | A2656-074A            | B2158-006         | 41955          | 22-074A                        |
| CAT  | D7G     |                           | SALT   | 1.877    | 9.880    | 2.812      | 6.409      | 8.500 | B1902-011             | B1901-067                | N/A               | B1904-020           | B1903-154           | C5006A                 | B1904-019               | B1903-220               | C6006A                     | A2904-002    | 56-0150    | A2392-154B   | B1900-009         | D1096-001      | A2656-154B            | B2158-006         | D1281-019      | 22-0154B                       |
| CAT  | D7G     | LGP                       | SALT   | 1.877    | 9.880    | 2.812      | 6.409      | 8.500 | B1902-011             | B1901-067                | N/A               | B1904-020           | B1903-154           | C5006A                 | B1904-019               | B1903-220               | C6006A                     | A2904-002    | 56-0150    | A2392-154B   | B1900-009         | D1096-001      | A2656-154B            | B2158-006         | D1281-019      | 22-0154B                       |
| CAT  | D7G     |                           | SEALED | 1.877    | 9.880    | 2.812      | 6.963      | 8.500 | B1902-072             | B1901-067                | B1905-009         | B1904-020           | B1903-021           | C5012A                 | B1904-019               | B1903-020               | C6013                      | A2904-002    | 56-0150    | A2392-074A   | B1900-009         | D1096-001      | A2656-074A            | B2158-006         | 41955          | 22-074A                        |
| CAT  | D7H     | LGP                       | PPR    | 1.878    | 9.925    | 2.937      | 6.405      | 8.500 | B1902-112             | B1901-074                | N/A               | B1904-499           | B1903-090           | C5007                  | B1904-498               | B1903-520               | C6206                      |              | 56-0150    | A2392-434    | B1900-009         | D1096-002A     |                       |                   |                | 22-434                         |
| CAT  | D7H     |                           | SALT   | 1.878    | 9.880    | 2.937      | 6.405      | 8.500 | B1902-011             | B1901-011                | N/A               | B1904-143           | B1903-025           | C5103                  | B1904-023               | B1903-024               | C6132                      | A2904-002    | 56-0150    | A2392-151B   | B1900-009         | D1096-002A     | A2656-151B            | B2158-006         | 52878-001      | 22-151B                        |



WTC Machinery  
C-Style Tool Chart

| Make | Model    | Comments              | Type   | Pin Dia. | Pin Len. | Bush. Dia.  | Bush. Len. | Pitch  | Pin Disass'y Tool (2) | Bushing Disassy Tool (2) | Master Spacer (2) | Pin Assy Holder (2) | Pin Assy Insert (2)  | Full Pin Assy Tool (2) | Bushing Assy Holder (2) | Bushing Assy Insert (2) | Full Bushing Assy Tool (2) | Pin Shim (4) | Spring (4) | WTC Tool Set | WTC Mount Bar (2) | WTC Saddle (1) | Track Master Tool Set | T M Mount Bar (2) | T M Saddle (1) | Tool Set No Saddle or Toolbars |
|------|----------|-----------------------|--------|----------|----------|-------------|------------|--------|-----------------------|--------------------------|-------------------|---------------------|----------------------|------------------------|-------------------------|-------------------------|----------------------------|--------------|------------|--------------|-------------------|----------------|-----------------------|-------------------|----------------|--------------------------------|
| CAT  | D7H      | LGP                   | SALT   | 1.878    | 9.880    | 2.937       | 6.405      | 8.500  | B1902-011             | B1901-011                | N/A               | B1904-143           | B1903-025            | C5103                  | B1904-023               | B1903-024               | C6132                      | A2904-002    | 56-0150    | A2392-151B   | B1900-009         | D1096-002A     | A2656-151B            | B2158-006         | 52878-001      | 22-151B                        |
| CAT  | D7H      | HD                    | SALT   | 1.878    | 10.875   | 3.085       | 6.813      | 8.500  | B1902-315             | B1901-221                | N/A               | B1904-744           | B1903-090            | C5322                  | B1904-745               | B1903-634               | C6345                      |              | 56-0150    | A2392-327    | B1900-009         | D1096-002A     |                       |                   |                | 22-327                         |
| CAT  | D7R      |                       | SALT   | 1.878    | 10.875   | 3.085       | 6.813      | 8.500  | B1902-315             | B1901-221                | N/A               | B1904-744           | B1903-090            | C5322                  | B1904-745               | B1903-634               | C6345                      |              | 56-0150    | A2392-327    | B1900-009         | D1096-002A     |                       |                   |                | 22-327                         |
| CAT  | D7E / R  | HDXL                  | PPR2   | 1.879    | 10.420   | 3.091       | 6.800      | 8.500  | B1902-315             | B1901-219                | N/A               | B1904-740           | B1903-090            | C5318                  | B1904-741               | B1903-615               | C6341                      | A2904-002    | 56-0150    | A2392-483    | B1900-009         | D1096-002A     | 22-483                |                   |                |                                |
| CAT  | D8       |                       | SALT   | 2.002    | 11.438   | 2.996       | 7.355      | 9.000  | B1902-006             | B1901-006                | N/A               | B1904-087           | B1903-155            | C5007A                 | B1904-087               | B1903-014               | C6007A                     | A2904-003    | 56-0150    | A2392-005C   | B1900-006         | D1096-003      | A2656-005C            | B2158-012         | 41253          | 22-005C                        |
| CAT  | D8       |                       | SEALED | 1.752    | 11.438   | 2.621       | 7.928      | 7.000  | B1902-077             | B1901-069                | B1905-030         | B1904-152           | B1903-145            | C5013                  | B1904-138               | B1903-143               | C6014                      | A2904-002    | 56-0146    | A2392-023B   | B1900-015         | D1054-032      | A2656-023B            | B2158-005         | 52877-002      | 22-023B                        |
| CAT  | D8 HD XL | Links 502-6149 / 6150 |        | 1.878    | 9.650    | 3.307       | 6.405      | 8.592  | B2054-013             | B2055-013                | N/A               | C1165-011           | C1166-022/23         | C5152 / C5152-1        | B2057-014               | C1166-021               | C6152                      | N/A          | 56-0150    | A2392-152    | C1000-006         | D1096-021      |                       |                   |                | 22-152                         |
| CAT  | D8D      |                       | SEALED | 1.752    | 11.438   | 2.621       | 7.928      | 7.000  | B1902-077             | B1901-069                | B1905-030         | B1904-152           | B1903-145            | C5013                  | B1904-138               | B1903-143               | C6014                      | A2904-002    | 56-0146    | A2392-023B   | B1900-015         | D1054-032      | A2656-023B            | B2158-005         | 52877-002      | 22-023B                        |
| CAT  | D8E      |                       | SEALED | 1.752    | 11.438   | 2.621       | 7.928      | 7.000  | B1902-077             | B1901-069                | B1905-030         | B1904-152           | B1903-145            | C5013                  | B1904-138               | B1903-143               | C6014                      | A2904-002    | 56-0146    | A2392-023B   | B1900-015         | D1054-032      | A2656-023B            | B2158-005         | 52877-002      | 22-023B                        |
| CAT  | D8F      |                       | SEALED | 1.752    | 11.438   | 2.621       | 7.928      | 7.000  | B1902-077             | B1901-069                | B1905-030         | B1904-152           | B1903-145            | C5013                  | B1904-138               | B1903-143               | C6014                      | A2904-002    | 56-0146    | A2392-023B   | B1900-015         | D1054-032      | A2656-023B            | B2158-005         | 52877-002      | 22-023B                        |
| CAT  | D8G      |                       | SEALED | 1.752    | 11.438   | 2.621       | 7.928      | 7.000  | B1902-077             | B1901-069                | B1905-030         | B1904-152           | B1903-145            | C5013                  | B1904-138               | B1903-143               | C6014                      | A2904-002    | 56-0146    | A2392-023B   | B1900-015         | D1054-032      | A2656-023B            | B2158-005         | 52877-002      | 22-023B                        |
| CAT  | D8H      |                       | SALT   | 2.002    | 11.438   | 2.996       | 7.355      | 9.000  | B1902-006             | B1901-006                | N/A               | B1904-087           | B1903-155            | C5007A                 | B1904-146               | B1903-014               | C6007                      | A2904-003    | 56-0150    | A2392-005C   | B1900-006         | D1096-003      | A2656-005C            | B2158-012         | 41253          | 22-005C                        |
| CAT  | D8H      |                       | SEALED | 2.003    | 11.438   | 2.996       | 7.941      | 9.000  | B1902-071             | B1901-072                | B1905-025         | B1904-087           | B1903-086            | C5001                  | B1904-146               | B1903-087               | C6001                      | A2904-003    | 56-0150    | A2392-004A   | B1900-006         | D1096-003      | A2656-004A            | B2158-012         | 41253          | 22-004A                        |
| CAT  | D8K      |                       | SALT   | 2.002    | 11.438   | 2.996       | 7.355      | 9.000  | B1902-006             | B1901-006                | N/A               | B1904-087           | B1903-155            | C5007A                 | B1904-146               | B1903-014               | C6007                      | A2904-003    | 56-0150    | A2392-005C   | B1900-006         | D1096-003      | A2656-005C            | B2158-012         | 41253          | 22-005C                        |
| CAT  | D8K      |                       | SEALED | 2.003    | 11.438   | 2.996       | 7.941      | 9.000  | B1902-071             | B1901-072                | B1905-025         | B1904-087           | B1903-086            | C5001                  | B1904-146               | B1903-087               | C6001                      | A2904-003    | 56-0150    | A2392-004A   | B1900-006         | D1096-003      | A2656-004A            | B2158-012         | 41253          | 22-004A                        |
| CAT  | D8L      |                       | SALT   | 1.880    | 9.880    | 2.940       | 6.410      | 8.500  | B1902-011             | B1901-011                | N/A               | B1904-024           | B1903-152            | C5006B                 | B1904-023               | B1903-024               | C6132                      | A2904-002    | 56-0150    | A2392-116A   | B1900-009         | D1096-002A     | A2656-116A            | B2158-006         | 52834          | 22-116A                        |
| CAT  | D8N/R    | Berco CR4525D         | SALT   | 1.875    | 9.882    | 3.118       | 6.406      | 8.500  | B2054-021             | B2055-013                | N/A               | C1165-020           | C1166-022            | C5303                  | B2057-018               | C1166-021               | C6328                      | A2904-003    | 56-0150    | A2392-470    | B1900-009         | D1096-002A     |                       |                   |                | 22-470                         |
| CAT  | D8N/R/T  | Berco CR7603          | BPR2   | 1.875    | 9.654    | 3.118       | 6.406      | 8.500  | B2054-013             | B2055-013                | N/A               | C1165-016           | C1166-022            | C5300                  | B2057-018               | C1166-021               | C6328                      | A2904-003    | 56-0150    | A2392-466    | B1900-009         | D1096-002A     |                       |                   |                | 22-466                         |
| CAT  | D8N      |                       | PPR    | 1.878    | 9.650    | 2.937       | 6.405      | 8.500  | B2054-013             | B2055-013                | N/A               | C1165-011           | C1166-022/23         | C5152 / C5152-1        | B2057-014               | C1166-021               | C6152                      | N/A          | 56-0150    | A2392-152    | C1000-006         | D1096-002A     | A2656-152             | B2772-001         | 52878-002      | 22-152                         |
| CAT  | D8N      |                       | SALT   | 1.880    | 9.880    | 2.940       | 6.410      | 8.500  | B1902-011             | B1901-011                | N/A               | B1904-024           | B1903-152            | C5006B                 | B1904-023               | B1903-024               | C6132                      | A2904-002    | 56-0150    | A2392-153A   | B1900-009         | D1096-002A     | A2656-153A            | B2158-006         | 52878-001      | 22-153A                        |
| CAT  | D8R      |                       | PPR    | 1.878    | 9.650    | 2.937       | 6.405      | 8.500  | B2054-013             | B2055-013                | N/A               | C1165-011           | C1166-022/23         | C5152 / C5152-1        | B2057-014               | C1166-021               | C6152                      | N/A          | 56-0150    | A2392-152    | C1000-006         | D1096-002A     | A2656-152             | B2772-001         | 52878-002      | 22-152                         |
| CAT  | D8R      |                       | SALT   | 1.880    | 9.880    | 2.940       | 6.410      | 8.500  | B1902-011             | B1901-011                | N/A               | B1904-024           | B1903-152            | C5006B                 | B1904-023               | B1903-024               | C6132                      | A2904-002    | 56-0150    | A2392-153A   | B1900-009         | D1096-002A     | A2656-153A            | B2158-006         | 52878-001      | 22-153A                        |
| CAT  | D8T      |                       | SALT   | 1.880    | 9.880    | 2.940       | 6.410      | 8.500  | B1902-011             | B1901-011                | N/A               | B1904-024           | B1903-152            | C5006B                 | B1904-023               | B1903-024               | C6132                      | A2904-002    | 56-0150    | A2392-153A   | B1900-009         | D1096-002A     | A2656-153A            | B2158-006         | 52878-001      | 22-153A                        |
| CAT  | D8TC     |                       | PPR    | 1.878    | 9.650    | 2.937       | 6.405      | 8.500  | B2054-013             | B2055-013                | N/A               | C1165-011           | C1166-022/23         | C5152 / C5152-1        | B2057-014               | C1166-021               | C6152                      | N/A          | 56-0150    | A2392-152    | C1000-006         | D1096-002A     | A2656-152             | B2772-001         | 52878-002      | 22-152                         |
| CAT  | D8XL     |                       |        | 1.878    | 9.650    | 2.937/3.297 | 6.405      | 8.500  | B2054-013             | B2055-013                | N/A               | C1165-011           | C1166-022/23         | C5152 / C5152-1        | B2057-014               | C1166-021               | C6152                      | N/A          | 56-0150    | A2392-152    | C1000-006         | D1096-018      |                       |                   |                | 22-152                         |
| CAT  | D9       |                       | SALT   | 2.252    | 12.250   | 3.371       | 8.270      | 10.250 | B1902-043             | B1901-048                | N/A               | B1904-097           | B1903-156            | C5005A                 | B1904-096               | B2056-008               | C6008                      | A2904-003    | 56-0150    | A2392-071A   | B1900-007         | D1092-004      | A2656-071A            | B2158-018         | 41910          | 22-071A                        |
| CAT  | D9       |                       | SEALED | 2.002    | 12.000   | 2.869       | 8.442      | 9.000  | B1902-250             | B1901-157                | N/A               | B1904-503           | B1903-379            | C5208                  | B1904-502               | B1903-521               | C6264                      |              | 56-0150    | A2392-330    | B1900-006         | D1096-004      |                       | B2158-012         |                | 22-330                         |
| CAT  | D9D      |                       | SEALED | 2.252    | 12.250   | 3.371       | 8.856      | 10.250 | B1902-044             | B1901-048                | B1905-040         | B1904-097           | B2056-009            | C5005                  | B1904-096               | B2056-010               | C6005                      | A2904-003    | 56-0150    | A2392-095    | B1900-007         | D1092-004      | A2656-095A            | B2158-018         | 51960          | 22-095                         |
| CAT  | D9E      |                       | SEALED | 2.252    | 12.250   | 3.371       | 8.856      | 10.250 | B1902-044             | B1901-048                | B1905-040         | B1904-097           | B2056-009            | C5005                  | B1904-096               | B2056-010               | C6005                      | A2904-003    | 56-0150    | A2392-095    | B1900-007         | D1092-004      | A2656-095A            | B2158-018         | 51960          | 22-095                         |
| CAT  | D9G      |                       | SALT   | 2.252    | 12.250   | 3.371       | 8.270      | 10.250 | B1902-043             | B1901-048                | N/A               | B1904-097           | B1903-156            | C5005A                 | B1904-096               | B2056-008               | C6008                      | A2904-003    | 56-0150    | A2392-071A   | B1900-007         | D1092-004      | A2656-071A            | B2158-018         | 41910          | 22-071A                        |
| CAT  | D9G      |                       | SEALED | 2.252    | 12.250   | 3.371       | 8.856      | 10.250 | B1902-044             | B1901-048                | B1905-040         | B1904-097           | B2056-009            | C5005                  | B1904-096               | B2056-010               | C6005                      | A2904-003    | 56-0150    | A2392-095    | B1900-007         | D1092-004      | A2656-095A            | B2158-018         | 51960          | 22-095                         |
| CAT  | D9H      |                       | SALT   | 2.252    | 12.250   | 3.371       | 8.270      | 10.250 | B1902-043             | B1901-048                | N/A               | B1904-097           | B1903-156            | C5005A                 | B1904-096               | B2056-008               | C6008                      | A2904-003    | 56-0150    | A2392-071A   | B1900-007         | D1092-004      | A2656-071A            | B2158-018         | 41910          | 22-071A                        |
| CAT  | D9H      |                       | SEALED | 2.252    | 12.250   | 3.371       | 8.856      | 10.250 | B1902-044             | B1901-048                | B1905-040         | B1904-097           | B2056-009            | C5005                  | B1904-096               | B2056-010               | C6005                      | A2904-003    | 56-0150    | A2392-095    | B1900-007         | D1092-004      | A2656-095A            | B2158-018         | 51960          | 22-095                         |
| CAT  | D9L      |                       | PPR    | 2.000    | 10.768   | 3.228       | 7.355      | 9.000  | B2054-006             | B2055-005                | N/A               | B2057-010           | C1166-008/ C1166-009 | C5312/ C5312A          | C1165-002               | C1166-007               | C6339                      | A2904-003    | 56-150     | A2392-130B   | C1000-003         | D1096-009      |                       |                   |                | 22-130B                        |
| CAT  | D9L      |                       | SALT   | 2.000    | 11.437   | 3.220       | 7.355      | 9.000  | B1902-006             | B1901-006                | N/A               | B1904-087           | B1903-088            | C5093                  | B1904-088               | B1903-221               | C6131                      | A2904-003    | 56-0150    | A2392-115C   | B1900-006         | D1096-009      | A2656-115C            | B2158-012         | 52147          | 22-115C                        |
| CAT  | D9N      |                       | PPR    | 2.000    | 10.440   | 3.136       | 7.260      | 9.449  | B2054-010             | B2055-010                | N/A               | C1165-010           | C1166-018/ 019       | C5253 / C5253A         | C1165-009               | C1166-017               | C6154                      | N/A          | 56-150     | A2392-136    | C1000-004         | D1096-007      | A2656-136             | C1444             | 53014          | 22-136                         |
| CAT  | D9N      |                       | SALT   | 2.003    | 10.980   | 3.163       | 7.260      | 9.450  | B1902-070             | B1901-068                | N/A               | B1904-145           | B2056-018            | C5092                  | B1904-156               | B2056-017               | C6154A                     | A2904-003    | 56-0150    | A2392-142B   | B1900-027         | D1096-007      | A2656-142B            | B2440-012         | 53014          | 22-142B                        |



WTC Machinery  
C-Style Tool Chart

| Make | Model       | Comments     | Type     | Pin Dia. | Pin Len. | Bush. Dia. | Bush. Len. | Pitch | Pin Disass'y Tool (2) | Bushing Disassy Tool (2) | Master Spacer (2) | Pin Assy Holder (2) | Pin Assy Insert (2) | Full Pin Assy Tool (2) | Bushing Assy Holder (2) | Bushing Assy Insert (2) | Full Bushing Assy Tool (2) | Pin Shim (4) | Spring (4) | WTC Tool Set | WTC Mount Bar (2) | WTC Saddle (1) | Track Master Tool Set | T M Mount Bar (2) | T M Saddle (1) | Tool Set No Saddle or Toolbars |
|------|-------------|--------------|----------|----------|----------|------------|------------|-------|-----------------------|--------------------------|-------------------|---------------------|---------------------|------------------------|-------------------------|-------------------------|----------------------------|--------------|------------|--------------|-------------------|----------------|-----------------------|-------------------|----------------|--------------------------------|
| CAT  | D9N/R/T     | Berco CR7611 | BPR2     | 2.000    | 10.768   | 3.346      | 7.256      | 9.449 | B2054-010             | B2055-010                | N/A               | C1165-010           | C1166-018           | C5253                  | C1165-017               | C1166-017               | C6329                      | A2904-003    | 56-0150    | A2392-467    | B1900-027         | D1096-007      |                       |                   |                | 22-467                         |
| CAT  | D9R         |              | PPR      | 2.000    | 10.440   | 3.136      | 7.260      | 9.449 | B2054-010             | B2055-010                | N/A               | C1165-010           | C1166-018/-019      | C5253 / C5253A         | C1165-009               | C1166-017               | C6154                      | N/A          | 56-150     | A2392-136    | C1000-004         | D1096-007      | A2656-136             | C1444             | 53014          | 22-136                         |
| CAT  | D9R         |              | SALT     | 2.003    | 10.980   | 3.163      | 7.260      | 9.450 | B1902-070             | B1901-068                | N/A               | B1904-145           | B2056-018           | C5092                  | B1904-156               | B2056-017               | C6154A                     | A2904-003    | 56-0150    | A2392-142B   | B1900-027         | D1096-007      | A2656-142B            | B2440-012         | 53014          | 22-142B                        |
| CAT  | D9T         |              | SALT     | 2.003    | 10.980   | 3.163      | 7.260      | 9.450 | B1902-070             | B1901-068                | N/A               | B1904-145           | B2056-018           | C5092                  | B1904-156               | B2056-017               | C6154A                     | A2904-003    | 56-0150    | A2392-142B   | B1900-027         | D1096-007      | A2656-142B            | B2440-012         | 53014          | 22-142B                        |
| CAT  | DL221       |              | SALT     | 1.442    | 8.120    | 2.312      | 5.210      | 6.906 | B1902-027             | B1901-029                | N/A               | B1904-059           | B1903-061           | C5009B                 | B1904-058               | B1903-060               | C6074A                     | A2904-001    | 56-0146    | A2392-041A   | B1900-008         | D1054-007      | A2656-041A            | B2545-002         | 51835          | 22-041A                        |
| CAT  | E110B       |              | SEALED   | 1.319    | 7.008    | 1.984      | 4.750      | 6.750 | B1902-199             | B1901-066                | B1905-211         | B1904-287           | B1903-265           | C5059                  | B1904-288               | B1903-302               | C6181                      | 204050       | 56-0146    | A2392-236    | B1900-014         | D1054-037      | A2656-236             | B2440-008         | 40912          | 22-236                         |
| CAT  | E120B       |              | SEALED   | 1.319    | 7.008    | 1.984      | 4.750      | 6.750 | B1902-199             | B1901-066                | B1905-211         | B1904-287           | B1903-265           | C5059                  | B1904-288               | B1903-302               | C6181                      | 204050       | 56-0146    | A2392-236    | B1900-014         | D1054-037      | A2656-236             | B2440-008         | 40912          | 22-236                         |
| CAT  | E180        |              | SEALED   | 1.439    | 8.126    | 2.310      | 5.996      | 6.906 | B1902-085             | B1901-029                | B1905-066         | B1904-166           | B1903-163           | C5128                  | B1904-058               | B1903-162               | C6040                      | N/A          | 56-0146    | A2392-160    | B1900-008         | D1054-007      | A2656-160             | B2545-002         | 51835          | 22-160                         |
| CAT  | E200B       |              | SEALED   | 1.445    | 8.150    | 2.311      | 5.704      | 7.500 | B1902-157             | B1901-079                | N/A               | B1904-505           | B1903-459           | C5133                  | B1904-504               | B1903-439               | C6191                      |              | 56-0146    | A2392-331    | B1900-005         | D1054-013      |                       |                   |                | 22-331                         |
| CAT  | E240        |              | SEALED   | 1.445    | 8.150    | 2.311      | 5.704      | 7.500 | B1902-157             | B1901-079                | N/A               | B1904-505           | B1903-459           | C5133                  | B1904-504               | B1903-439               | C6191                      |              | 56-0146    | A2392-331    | B1900-005         | D1054-013      |                       |                   |                | 22-331                         |
| CAT  | E300B       |              | SEALED   | 1.750    | 9.646    | 2.624      | 6.680      | 8.000 | B1902-202             | B1901-027                | B1905-212         | B1904-293           | B1903-167           | C5121B                 | B1904-054               | B1903-331               | C6179                      | A2904-001    | 56-0146    | A2392-240    | B1900-025         | D1054-040      | A2656-240             | B2158-008         | 40911          | 22-240                         |
| CAT  | E450        |              | UNSEALED | 1.873    | 10.000   | 2.809      | 7.280      | 8.500 | B1902-203             | B1901-067                | B1905-213         | B1904-294           | B1903-154           | C5038                  | B1904-295               | B1903-332               | C6180                      | A2904-002    | 56-0150    | A2392-241    | B1900-009         | D1054-040      | A2656-241             | B2158-006         | D1119-004      | 22-241                         |
| CAT  | E70         |              | SEALED   | 0.945    | 5.512    | 1.614      | 3.638      | 5.315 | B1902-251             | B1901-158                |                   | B1904-507           | B1903-523           | C5129                  | B1904-506               | B1903-522               | C6182                      |              |            |              | TBA               | TBA            |                       |                   |                |                                |
| CAT  | EL180       |              | SEALED   | 1.439    | 8.126    | 2.310      | 5.996      | 6.906 | B1902-085             | B1901-029                | B1905-066         | B1904-166           | B1903-163           | C5128                  | B1904-058               | B1903-162               | C6040                      | N/A          | 56-0146    | A2392-160    | B1900-008         | D1054-007      | A2656-160             | B2545-002         | 51835          | 22-160                         |
| CAT  | EL200B      |              | SEALED   | 1.445    | 8.150    | 2.311      | 5.704      | 7.500 | B1902-157             | B1901-079                | N/A               | B1904-505           | B1903-459           | C5133                  | B1904-504               | B1903-439               | C6191                      |              | 56-0146    | A2392-331    | B1900-005         | D1054-013      |                       |                   |                | 22-331                         |
| CAT  | EL240       |              | SEALED   | 1.445    | 8.150    | 2.311      | 5.704      | 7.500 | B1902-157             | B1901-079                | N/A               | B1904-505           | B1903-459           | C5133                  | B1904-504               | B1903-439               | C6191                      |              | 56-0146    | A2392-331    | B1900-005         | D1054-013      |                       |                   |                | 22-331                         |
| CAT  | EL300A      |              | SEALED   | 1.750    | 9.646    | 2.624      | 6.882      | 8.000 | B1902-200             | B1901-027                | B1905-068         | B1904-290           | B1903-167           | C5038A                 | B1904-054               | B1903-329               | C6072                      | A2904-001    | 56-0146    | A2392-238    | B1900-025         | D1054-040      | A2656-238             | B2158-008         | 40911          | 22-238                         |
| CAT  | EL300B      |              | SEALED   | 1.750    | 9.646    | 2.624      | 6.680      | 8.000 | B1902-202             | B1901-027                | B1905-212         | B1904-293           | B1903-167           | C5121B                 | B1904-054               | B1903-331               | C6179                      | A2904-001    | 56-0146    | A2392-240    | B1900-025         | D1054-040      | A2656-240             | B2158-008         | 40911          | 22-240                         |
| CAT  | EL300B      |              | SEALED   | 1.750    | 9.646    | 2.624      | 6.882      | 8.000 | B1902-200             | B1901-027                | B1905-068         | B1904-290           | B1903-167           | C5038A                 | B1904-054               | B1903-329               | C6072                      | A2904-001    | 56-0146    | A2392-238    | B1900-025         | D1054-040      | A2656-238             | B2158-008         | 40911          | 22-238                         |
| CAT  | FB217       |              | SALT     | 1.442    | 8.120    | 2.312      | 5.210      | 6.906 | B1902-027             | B1901-029                | N/A               | B1904-059           | B1903-061           | C5009B                 | B1904-058               | B1903-060               | C6074A                     | A2904-001    | 56-0146    | A2392-041A   | B1900-008         | D1054-007      | A2656-041A            | B2545-002         | 51835          | 22-041A                        |
| CAT  | FB227       |              | SEALED   | 1.252    | 9.060    | 2.621      | 6.356      | 7.984 | B1902-078             | B1901-069                | B1905-023         | B1904-055           | B1903-151           | C5003B                 | B1904-054               | B1903-056               | C6003A                     | A2904-002    | 56-0146    | A2392-125A   | B1900-015         | D1054-032      | A2656-125A            | B2158-005         | 52877-001      | 22-125A                        |
| CAT  | LL229       | w/ 7/8 BOLT  | SEALED   | 1.877    | 9.880    | 2.812      | 6.963      | 8.500 | B1902-072             | B1901-067                | B1905-046         | B1904-020           | B1903-021           | C5012A                 | B1904-019               | B1903-020               | C6013                      | A2904-002    | 56-0150    | A2392-126A   | B1900-009         | D1096-001      | A2656-126A            | B2158-006         | 41623          | 22-126A                        |
| CAT  | LL229       | w/ 3/4 BOLT  | SEALED   | 1.877    | 9.880    | 2.812      | 6.963      | 8.500 | B1902-072             | B1901-067                | B1905-046         | B1904-020           | B1903-021           | C5012A                 | B1904-019               | B1903-020               | C6013                      | A2904-002    | 56-0150    | A2392-126A   | B1900-009         | D1096-001      | A2656-126A            | B2158-006         | 41623          | 22-126A                        |
| CAT  | MHI 180-8   |              | SEALED   | 1.439    | 8.126    | 2.310      | 5.996      | 6.906 | B1902-085             | B1901-029                | B1905-066         | B1904-166           | B1903-163           | C5128                  | B1904-058               | B1903-162               | C6040                      | N/A          | 56-0146    | A2392-160    | B1900-008         | D1054-007      | A2656-160             | B2545-002         | 51835          | 22-160                         |
| CAT  | MHI 180-8LC |              | SEALED   | 1.439    | 8.126    | 2.310      | 5.996      | 6.906 | B1902-085             | B1901-029                | B1905-066         | B1904-166           | B1903-163           | C5128                  | B1904-058               | B1903-162               | C6040                      | N/A          | 56-0146    | A2392-160    | B1900-008         | D1054-007      | A2656-160             | B2545-002         | 51835          | 22-160                         |
| CAT  | MHI 300LC-8 |              | SEALED   | 1.750    | 9.646    | 2.624      | 6.882      | 8.000 | B1902-087             | B1901-069                | B1905-068         | B1904-169           | B1903-167           | C5121A                 | B1904-054               | B1903-166               | C6178                      | A2904-002    | 56-0146    | A2392-162    | B1900-025         | D1054-040      | A2656-162             | B2546-003         | D1378          | 22-162                         |
| CAT  | PR1000      |              | SEALED   | 1.314    | 7.220    | 2.119      | 4.996      | 6.735 | B1902-045             | B1901-049                | N/A               | B1904-074           | B1903-073           | C5011                  | B1904-100               | B1903-082               | C6011                      | A2904-001    | 56-0146    | A2392-072A   | B1900-019         | D1054-004      | A2656-072A            | B2545-001         | 42101          | 22-072A                        |
| CAT  | PR450       |              | SEALED   | 1.129    | 6.156    | 1.850      | 4.222      | 6.125 | B1902-074             | B1901-039                | B1905-028         | B1904-078           | B1903-077           | C5004                  | B1904-077               | B1903-140               | C6004                      | B1927-022    | 56-0146    | A2392-014B   | B1900-016         | D1054-017A     | A2656-014B            | B2546-001         | 41938-001      | 22-014B                        |
| CAT  | PR750B      |              | SEALED   | 1.314    | 7.220    | 2.119      | 4.996      | 6.735 | B1902-045             | B1901-049                | N/A               | B1904-074           | B1903-073           | C5011                  | B1904-100               | B1903-082               | C6011                      | A2904-001    | 56-0146    | A2392-072A   | B1900-019         | D1054-004      | A2656-072A            | B2545-001         | 42101          | 22-072A                        |
| CAT  | R2-15-22    |              | RECESS   | 1.127    | 6.156    | 1.687      | 4.250      | 6.125 | B1902-249             | B1901-156                | N/A               | B1904-483           | B1903-079           | C5040B                 | B1904-484               | B1903-516               | C6067                      |              | 56-0146    | A2392-433    | B1900-016         |                |                       |                   |                | 22-433                         |
| CAT  | R4          |              | RECESS   | 1.314    | 7.000    | 1.993      | 5.000      | 6.735 | B1902-092             | B1901-129                | N/A               | B1904-487           | B1903-436           | C5011B                 | B1904-486               | B1903-437               | C6017                      |              | 56-0146    | A2392-320    | B1900-019         | D1054-004      |                       |                   |                | 22-320                         |
| CAT  | SF350       |              | SEALED   | 1.129    | 6.156    | 1.850      | 4.222      | 6.125 | B1902-074             | B1901-039                | B1905-028         | B1904-078           | B1903-077           | C5004                  | B1904-077               | B1903-140               | C6004                      | B1927-022    | 56-0146    | A2392-014B   | B1900-016         | D1054-017A     | A2656-014B            | B2546-001         | 41938-001      | 22-014B                        |
| CAT  | SF500       |              | SEALED   | 1.314    | 7.220    | 2.119      | 4.996      | 6.735 | B1902-045             | B1901-049                | N/A               | B1904-074           | B1903-073           | C5011                  | B1904-100               | B1903-082               | C6011                      | A2904-001    | 56-0146    | A2392-072A   | B1900-019         | D1054-004      | A2656-072A            | B2545-001         | 42101          | 22-072A                        |
| CAT  | TR225       |              | SEALED   | 1.129    | 6.156    | 1.850      | 4.222      | 6.125 | B1902-074             | B1901-039                | B1905-028         | B1904-078           | B1903-077           | C5004                  | B1904-077               | B1903-140               | C6004                      | B1927-022    | 56-0146    | A2392-014B   | B1900-016         | D1054-017A     | A2656-014B            | B2546-001         | 41938-001      | 22-014B                        |
| CAT  | TR500       |              | SEALED   | 1.314    | 7.220    | 2.119      | 4.996      | 6.735 | B1902-045             | B1901-049                | N/A               | B1904-074           | B1903-073           | C5011                  | B1904-100               | B1903-082               | C6011                      | A2904-001    | 56-0146    | A2392-072A   | B1900-019         | D1054-004      | A2656-072A            | B2545-001         | 42101          | 22-072A                        |
| DRES | 150         |              | SEALED   | 1.375    | 6.690    | 2.053      | 4.908      | 6.490 | B1902-210             | B1901-117                | B1905-015         | B1904-308           | B1903-344           | C5048                  | B1904-309               | B1903-345               | C6146                      | A2904-001    | 56-0146    | A2392-015A   | B1900-003         | D1054-050      | A2656-015A            | B2440-003         | TBA            | 22-015A                        |
| DRES | 175         |              | SEALED   | 1.625    | 7.870    | 2.364      | 5.780      | 6.992 | B1902-004             | B1901-004                | B1905-004         | B1904-010           | B1903-011           | C5041                  | B1904-009               | B1903-010               | C6059                      | AS REQ.      | 56-0146    | A2392-039    | B1900-004         | TBA            | A2656-039             | B2440-017         | 40921          | 22-039                         |



WTC Machinery  
C-Style Tool Chart

2/13/2024

| Make | Model    | Comments | Type   | Pin Dia. | Pin Len. | Bush. Dia. | Bush. Len. | Pitch | Pin Disass'y Tool (2) | Bushing Disassy Tool (2) | Master Spacer (2) | Pin Assy Holder (2) | Pin Assy Insert (2) | Full Pin Assy Tool (2) | Bushing Assy Holder (2) | Bushing Assy Insert (2) | Full Bushing Assy Tool (2) | Pin Shim (4) | Spring (4) | WTC Tool Set | WTC Mount Bar (2) | WTC Saddle (1) | Track Master Tool Set | T M Mount Bar (2) | T M Saddle (1) | Tool Set No Saddle or Toolbars |
|------|----------|----------|--------|----------|----------|------------|------------|-------|-----------------------|--------------------------|-------------------|---------------------|---------------------|------------------------|-------------------------|-------------------------|----------------------------|--------------|------------|--------------|-------------------|----------------|-----------------------|-------------------|----------------|--------------------------------|
| DRES | 250      |          | SEALED | 1.750    | 9.310    | 2.614      | 6.100      | 7.500 | B1902-005             | B1901-005                | B1905-005         | B1904-012           | B1903-013           | C5036                  | B1904-011               | B1903-012               | C6069                      | N/A          | 56-0146    | A2392-059    | B1900-005         | D1054-013      | A2656-059             | B2158-007         | 052876-001     | 22-059                         |
| DRES | 100C     |          | SEALED | 1.250    | 6.500    | 1.806      | 4.535      | 5.998 | B1902-253             | B1901-155                | N/A               | B1904-511           | B1903-526           | C5040                  | B1904-510               | B1903-525               | C6067B                     |              | 56-0146    |              | TBA               | TBA            |                       |                   |                |                                |
| DRES | 100E     |          | SEALED | 1.250    | 6.500    | 1.800      | 4.533      | 5.990 | B1902-253             | B1903-534                | N/A               | B1904-533           | B1903-526           | C5100                  | B1904-510               | B1903-534               | C6067A                     |              |            |              | TBA               | TBA            |                       |                   |                |                                |
| DRES | 100G     |          | SALT   | 1.312    | 6.690    | 2.115      | 4.187      | 6.490 | B1902-036             | B1901-128                | N/A               | B1904-534           | B1903-454           | C5040C                 | B1904-532               | B1903-535               | C6068B                     |              | 56-0146    |              | B1900-032         | TBA            |                       |                   |                |                                |
| DRES | 125C     |          | SEALED | 1.375    | 6.690    | 2.053      | 4.908      | 6.490 | B1902-210             | B1901-117                | B1905-015         | B1904-308           | B1903-344           | C5048                  | B1904-309               | B1903-345               | C6146                      | A2904-001    | 56-0146    | A2392-015A   | B1900-003         | D1054-050      | A2656-015A            | B2440-003         | TBA            | 22-015A                        |
| DRES | 125E     |          | SEALED | 1.375    | 6.690    | 2.053      | 4.908      | 6.490 | B1902-210             | B1901-117                | B1905-015         | B1904-308           | B1903-344           | C5048                  | B1904-309               | B1903-345               | C6146                      | A2904-001    | 56-0146    | A2392-015A   | B1900-003         | D1054-050      | A2656-015A            | B2440-003         | TBA            | 22-015A                        |
| DRES | 125G     |          | DRY    | 1.312    | 6.690    | 2.115      | 4.760      | 6.490 | B1902-029             | B1901-071                | N/A               | B1904-534           | B1903-454           | C5040C                 | B1904-532               | B1903-535               | C6068B                     |              | 56-0146    |              | B1900-032         | TBA            |                       |                   |                |                                |
| DRES | 125G     |          | SALT   | 1.312    | 6.690    | 2.115      | 4.187      | 6.490 | B1902-036             | B1901-128                | N/A               | B1904-534           | B1903-454           | C5040C                 | B1904-532               | B1903-535               | C6068B                     |              | 56-0146    |              | B1900-032         | TBA            |                       |                   |                |                                |
| DRES | 125G     |          | SEALED | 1.312    | 6.690    | 2.115      | 4.760      | 6.490 | B1902-029             | B1901-071                | N/A               | B1904-534           | B1903-454           | C5040C                 | B1904-532               | B1903-535               | C6068B                     |              | 56-0146    |              | B1900-032         | TBA            |                       |                   |                |                                |
| DRES | 175B     |          | SEALED | 1.625    | 7.870    | 2.364      | 5.780      | 6.992 | B1902-004             | B1901-004                | B1905-004         | B1904-010           | B1903-011           | C5041                  | B1904-009               | B1903-010               | C6059                      | AS REQ.      | 56-0146    | A2392-039    | B1900-004         | TBA            | A2656-039             | B2440-017         | 40921          | 22-039                         |
| DRES | 175B     |          | SEALED | 1.750    | 8.810    | 2.614      | 6.410      | 7.500 | B1902-005             | B1901-005                | B1905-005         | B1904-012           | B1903-013           | C5036                  | B1904-011               | B1903-012               | C6069                      | N/A          | 56-0146    | A2392-119    | B1900-005         | D1054-016      | A2656-119             | B2546-001         | 052876-001     | 22-119                         |
| DRES | 175C     |          | SEALED | 1.750    | 8.810    | 2.614      | 6.410      | 7.500 | B1902-005             | B1901-005                | B1905-005         | B1904-012           | B1903-013           | C5036                  | B1904-011               | B1903-012               | C6069                      | N/A          | 56-0146    | A2392-119    | B1900-005         | D1054-016      | A2656-119             | B2546-001         | 052876-001     | 22-119                         |
| DRES | 250B     |          | SEALED | 1.750    | 9.310    | 2.614      | 6.100      | 7.500 | B1902-005             | B1901-005                | B1905-005         | B1904-012           | B1903-013           | C5036                  | B1904-011               | B1903-012               | C6069                      | N/A          | 56-0146    | A2392-059    | B1900-005         | D1054-013      | A2656-059             | B2158-007         | 052876-001     | 22-059                         |
| DRES | 250C     |          | SEALED | 1.750    | 9.310    | 2.614      | 6.100      | 7.500 | B1902-005             | B1901-005                | B1905-005         | B1904-012           | B1903-013           | C5036                  | B1904-011               | B1903-012               | C6069                      | N/A          | 56-0146    | A2392-059    | B1900-005         | D1054-013      | A2656-059             | B2158-007         | 052876-001     | 22-059                         |
| DRES | 500E     |          | DRY    | 1.125    | 5.300    | 1.675      | 3.730      | 5.990 | B1902-252             | B1901-144                | N/A               | B1904-509           | B1903-065           | C5209                  | B1904-508               | B1903-524               | C6265                      |              | 56-0146    |              | TBA               | TBA            |                       |                   |                |                                |
| DRES | D32      |          | SALT   | 1.312    | 6.690    | 2.115      | 4.187      | 6.490 | B1902-036             | B1901-128                | N/A               | B1904-534           | B1903-454           | C5040C                 | B1904-532               | B1903-535               | C6068B                     |              | 56-0146    |              | B1900-032         | TBA            |                       |                   |                |                                |
| DRES | D32E     |          | SALT   | 1.312    | 6.690    | 2.115      | 4.187      | 6.490 | B1902-036             | B1901-128                | N/A               | B1904-534           | B1903-454           | C5040C                 | B1904-532               | B1903-535               | C6068B                     |              | 56-0146    |              | B1900-032         | TBA            |                       |                   |                |                                |
| DRES | D32E     |          | SEALED | 1.250    | 6.500    | 1.806      | 4.535      | 5.998 | B1902-253             | B1901-155                | N/A               | B1904-511           | B1903-526           | C5040                  | B1904-510               | B1903-525               | C6067B                     |              | 56-0146    |              | TBA               | TBA            |                       |                   |                |                                |
| DRES | D32P     |          | SEALED | 1.250    | 6.500    | 1.806      | 4.535      | 5.998 | B1902-253             | B1901-155                | N/A               | B1904-511           | B1903-526           | C5040                  | B1904-510               | B1903-525               | C6067B                     |              | 56-0146    |              | TBA               | TBA            |                       |                   |                |                                |
| DRES | D32-P1   |          | SALT   | 1.312    | 6.690    | 2.115      | 4.187      | 6.490 | B1902-036             | B1901-128                | N/A               | B1904-534           | B1903-454           | C5040C                 | B1904-532               | B1903-535               | C6068B                     |              | 56-0146    |              | B1900-032         | TBA            |                       |                   |                |                                |
| DRES | D37      |          | SEALED | 1.375    | 6.690    | 2.053      | 4.908      | 6.490 | B1902-210             | B1901-117                | B1905-015         | B1904-308           | B1903-344           | C5048                  | B1904-309               | B1903-345               | C6146                      | A2904-001    | 56-0146    | A2392-015A   | B1900-003         | D1054-050      | A2656-015A            | B2440-003         | TBA            | 22-015A                        |
| DRES | D38E     |          | SALT   | 1.312    | 6.690    | 2.115      | 4.187      | 6.490 | B1902-036             | B1901-128                | N/A               | B1904-534           | B1903-454           | C5040C                 | B1904-532               | B1903-535               | C6068B                     |              | 56-0146    |              | B1900-032         | TBA            |                       |                   |                |                                |
| DRES | D38P-1   |          | SALT   | 1.312    | 6.690    | 2.115      | 4.187      | 6.490 | B1902-036             | B1901-128                | N/A               | B1904-534           | B1903-454           | C5040C                 | B1904-532               | B1903-535               | C6068B                     |              | 56-0146    |              | B1900-032         | TBA            |                       |                   |                |                                |
| DRES | D39      |          | SALT   | 1.312    | 6.690    | 2.115      | 4.187      | 6.490 | B1902-036             | B1901-128                | N/A               | B1904-534           | B1903-454           | C5040C                 | B1904-532               | B1903-535               | C6068B                     |              | 56-0146    |              | B1900-032         | TBA            |                       |                   |                |                                |
| DRES | D39E     |          | SALT   | 1.312    | 6.690    | 2.115      | 4.187      | 6.490 | B1902-036             | B1901-128                | N/A               | B1904-534           | B1903-454           | C5040C                 | B1904-532               | B1903-535               | C6068B                     |              | 56-0146    |              | B1900-032         | TBA            |                       |                   |                |                                |
| DRES | D39P-1   |          | SALT   | 1.312    | 6.690    | 2.115      | 4.187      | 6.490 | B1902-036             | B1901-128                | N/A               | B1904-534           | B1903-454           | C5040C                 | B1904-532               | B1903-535               | C6068B                     |              | 56-0146    |              | B1900-032         | TBA            |                       |                   |                |                                |
| DRES | D87E-2   |          | SALT   | 1.874    | 10.430   | 2.866      | 6.704      | 8.500 | B1902-077             | B1901-001                | N/A               | B1904-524           | B1903-440           | C5077                  | B1904-523               | B1903-530               | C6152A                     |              | 56-0146    | A2392-332    | B1900-009         | D1096-013      |                       |                   |                | 22-332                         |
| DRES | D87P     |          | SALT   | 1.874    | 10.430   | 2.866      | 6.704      | 8.500 | B1902-077             | B1901-001                | N/A               | B1904-524           | B1903-440           | C5077                  | B1904-523               | B1903-530               | C6152A                     |              | 56-0146    | A2392-332    | B1900-009         | D1096-013      |                       |                   |                | 22-332                         |
| DRES | TD12     |          | SALT   | 1.500    | 8.030    | 2.366      | 5.073      | 7.490 | B1902-013             | B1901-076                | N/A               | B1904-407           | B1903-375           | C5095                  | B1904-514               | B1903-528               | C6137                      |              | 56-0146    | A2392-436    | B1900-018         | TBA            |                       |                   |                | 22-436                         |
| DRES | TD12     |          | SEALED | 1.750    | 8.030    | 2.366      | 5.710      | 7.490 | B1902-250             | B1901-159                | N/A               | B1904-513           | B1903-463           | C5095A                 | B1904-512               | B1903-527               | C6136                      |              | 56-0146    | A2392-435    | B1900-018         | TBA            |                       |                   |                | 22-435                         |
| DRES | TD12A    |          | DRY    | 1.500    | 8.030    | 2.366      | 5.706      | 7.490 | B1902-254             | B1901-149                | N/A               | B1904-516           | B1903-011           | C5021                  | B1904-515               | B1903-035               | C6132B                     |              | 56-0146    | A2392-437    | B1900-018         | TBA            |                       |                   |                | 22-437                         |
| DRES | TD12B    |          | DRY    | 1.500    | 8.030    | 2.366      | 5.706      | 7.490 | B1902-254             | B1901-149                | N/A               | B1904-516           | B1903-011           | C5021                  | B1904-515               | B1903-035               | C6132B                     |              | 56-0146    | A2392-437    | B1900-018         | TBA            |                       |                   |                | 22-437                         |
| DRES | TD12C-XP |          | SEALED | 1.629    | 8.820    | 2.614      | 5.573      | 7.490 | B1902-254             | B1901-149                | N/A               | B1904-516           | B1903-011           | C5021                  | B1904-515               | B1903-035               | C6132B                     |              | 56-0146    | A2392-438    | B1900-018         | TBA            |                       |                   |                | A2392-438                      |
| DRES | TD14     |          | SEALED | 1.625    | 7.870    | 2.364      | 5.780      | 6.992 | B1902-004             | B1901-004                | B1905-004         | B1904-010           | B1903-011           | C5041                  | B1904-009               | B1903-010               | C6059                      | AS REQ.      | 56-0146    | A2392-039    | B1900-004         | TBA            | A2656-039             | B2440-017         | 40921          | 22-039                         |
| DRES | TD15     |          | SEALED | 1.625    | 7.870    | 2.364      | 5.780      | 6.992 | B1902-004             | B1901-004                | B1905-004         | B1904-010           | B1903-011           | C5041                  | B1904-009               | B1903-010               | C6059                      | AS REQ.      | 56-0146    | A2392-039    | B1900-004         | TBA            | A2656-039             | B2440-017         | 40921          | 22-039                         |
| DRES | TD15B    |          | SEALED | 1.625    | 7.870    | 2.364      | 5.780      | 6.992 | B1902-004             | B1901-004                | B1905-004         | B1904-010           | B1903-011           | C5041                  | B1904-009               | B1903-010               | C6059                      | AS REQ.      | 56-0146    | A2392-039    | B1900-004         | TBA            | A2656-039             | B2440-017         | 40921          | 22-039                         |
| DRES | TD15B    |          | SEALED | 1.750    | 8.810    | 2.614      | 6.410      | 7.500 | B1902-005             | B1901-005                | B1905-005         | B1904-012           | B1903-013           | C5036                  | B1904-011               | B1903-012               | C6069                      | N/A          | 56-0146    | A2392-119    | B1900-005         | D1054-016      | A2656-119             | B2546-001         | 052876-001     | 22-119                         |



**WTC Machinery  
C-Style Tool Chart**

| Make | Model | Comments | Type   | Pin Dia. | Pin Len. | Bush. Dia. | Bush. Len. | Pitch  | Pin Disass'y Tool (2) | Bushing Disassy Tool (2) | Master Spacer (2) | Pin Assy Holder (2) | Pin Assy Insert (2) | Full Pin Assy Tool (2) | Bushing Assy Holder (2) | Bushing Assy Insert (2) | Full Bushing Assy Tool (2) | Pin Shim (4) | Spring (4) | WTC Tool Set | WTC Mount Bar (2) | WTC Saddle (1) | Track Master Tool Set | T M Mount Bar (2) | T M Saddle (1) | Tool Set No Saddle or Toolbars |
|------|-------|----------|--------|----------|----------|------------|------------|--------|-----------------------|--------------------------|-------------------|---------------------|---------------------|------------------------|-------------------------|-------------------------|----------------------------|--------------|------------|--------------|-------------------|----------------|-----------------------|-------------------|----------------|--------------------------------|
| DRES | TD15C |          | SALT   | 1.625    | 8.810    | 2.614      | 5.570      | 7.490  | B1902-254             | B1901-149                | N/A               | B1904-516           | B1903-011           | C5021                  | B1904-517               | B1903-035               | C6150                      |              | 56-0146    | A2392-439    | B1900-018         |                |                       |                   | 22-439         |                                |
| DRES | TD15C | LGP      | SALT   | 1.625    | 8.810    | 2.614      | 5.570      | 7.490  | B1902-254             | B1901-149                | N/A               | B1904-516           | B1903-011           | C5021                  | B1904-517               | B1903-035               | C6150                      |              | 56-0146    | A2392-439    | B1900-018         |                |                       |                   | 22-439         |                                |
| DRES | TD15C |          | SEALED | 1.750    | 8.810    | 2.614      | 6.410      | 7.500  | B1902-005             | B1901-005                | B1905-005         | B1904-012           | B1903-013           | C5036                  | B1904-011               | B1903-012               | C6069                      | N/A          | 56-0146    | A2392-119    | B1900-005         | D1054-016      | A2656-119             | B2546-001         | 052876-001     | 22-119                         |
| DRES | TD15E |          | SEALED | 1.750    | 8.810    | 2.756      | 5.900      | 7.980  | B1902-078             | B1901-001                | N/A               | B1904-519           | B1903-463           | C5108                  | B1904-520               | B1903-529               | C6117                      |              | 56-0146    | A2392-442    | B1900-015         |                |                       |                   | 22-442         |                                |
| DRES | TD20  | LGP      | SALT   | 1.874    | 10.430   | 2.866      | 6.704      | 8.500  | B1902-077             | B1901-001                | N/A               | B1904-524           | B1903-440           | C5077                  | B1904-523               | B1903-530               | C6152A                     |              | 56-0146    | A2392-332    | B1900-009         | D1096-013      |                       |                   | 22-332         |                                |
| DRES | TD20B |          | SEALED | 1.750    | 9.310    | 2.614      | 6.100      | 7.500  | B1902-005             | B1901-005                | B1905-005         | B1904-012           | B1903-013           | C5036                  | B1904-011               | B1903-012               | C6069                      | N/A          | 56-0146    | A2392-059    | B1900-005         | D1054-013      | A2656-059             | B2158-007         | 052876-001     | 22-059                         |
| DRES | TD20C |          | SEALED | 1.750    | 9.310    | 2.614      | 6.100      | 7.500  | B1902-005             | B1901-005                | B1905-005         | B1904-012           | B1903-013           | C5036                  | B1904-011               | B1903-012               | C6069                      | N/A          | 56-0146    | A2392-059    | B1900-005         | D1054-013      | A2656-059             | B2158-007         | 052876-001     | 22-059                         |
| DRES | TD20C |          | SEALED | 1.875    | 9.310    | 2.862      | 6.625      | 8.500  | B1902-062             | B1901-001                | N/A               | B1904-522           | B1903-440           | C5020                  | B1904-521               | B1903-530               | C6070                      |              | 56-0146    | A2392-333    | B1900-009         | D1096-013      |                       |                   | 22-333         |                                |
| DRES | TD20E |          | DRY    | 1.874    | 10.430   | 2.866      | 7.266      | 8.500  | B1902-072             | B1901-001                | N/A               | B1904-524           | B1903-440           | C5077                  | B1904-525               | B1903-530               | C6264A                     |              | 56-0146    |              | B1900-009         | D1096-013      |                       |                   |                |                                |
| DRES | TD20E |          | SALT   | 1.874    | 10.430   | 2.866      | 6.704      | 8.500  | B1902-077             | B1901-001                | N/A               | B1904-524           | B1903-440           | C5077                  | B1904-523               | B1903-530               | C6152A                     |              | 56-0146    | A2392-332    | B1900-009         | D1096-013      |                       |                   | 22-332         |                                |
| DRES | TD20G |          | DRY    | 1.874    | 10.430   | 2.866      | 7.266      | 8.500  | B1902-072             | B1901-001                | N/A               | B1904-524           | B1903-440           | C5077                  | B1904-525               | B1903-530               | C6264A                     |              | 56-0146    |              | B1900-009         | D1096-013      |                       |                   |                |                                |
| DRES | TD20G |          | SALT   | 1.874    | 10.430   | 2.866      | 6.704      | 8.500  | B1902-077             | B1901-001                | N/A               | B1904-524           | B1903-440           | C5077                  | B1904-523               | B1903-530               | C6152A                     |              | 56-0146    | A2392-332    | B1900-009         | D1096-013      |                       |                   | 22-332         |                                |
| DRES | TD25B |          | SEALED | 2.125    | 11.000   | 3.239      | 8.280      | 9.870  | B1902-048             | B1901-051                | B1905-047         | B1904-102           | B1903-097           | C5102                  | B1904-101               | B1903-096               | C6156                      | N/A          | 56-0146    | A2392-085    | B1900-024         | TBA            | A2656-085             | B2158-022         | 40916          | 22-085                         |
| DRES | TD25C |          | SALT   | 2.125    | 11.000   | 3.241      | 7.329      | 9.860  | B1902-256             | B1901-151                | N/A               | B1904-527           | B1903-015           | C5102A                 | B1904-526               | B1903-531               | C6153                      |              | 56-0146    |              | B1900-024         | TBA            |                       |                   |                |                                |
| DRES | TD25C |          | SEALED | 2.125    | 11.000   | 3.239      | 8.280      | 9.870  | B1902-048             | B1901-051                | B1905-047         | B1904-102           | B1903-097           | C5102                  | B1904-101               | B1903-096               | C6156                      | N/A          | 56-0146    | A2392-085    | B1900-024         | TBA            | A2656-085             | B2158-022         | 40916          | 22-085                         |
| DRES | TD25E |          | SALT   | 2.125    | 11.000   | 3.241      | 7.329      | 9.860  | B1902-256             | B1901-151                | N/A               | B1904-527           | B1903-015           | C5102A                 | B1904-526               | B1903-531               | C6153                      |              | 56-0146    |              | B1900-024         | TBA            |                       |                   |                |                                |
| DRES | TD25E |          | SALT   | 2.125    | 11.000   | 3.241      | 7.329      | 9.860  | B1902-256             | B1901-151                | N/A               | B1904-527           | B1903-015           | C5102A                 | B1904-526               | B1903-531               | C6153                      |              | 56-0146    |              | B1900-024         | TBA            |                       |                   |                |                                |
| DRES | TD25G |          | DRY    | 2.125    | 11.000   | 3.241      | 8.282      | 9.860  | B1902-257             | B1901-151                | N/A               | B1904-527           | B1903-015           | C5102A                 | B1904-528               | B1903-531               | C6266                      |              | 56-0146    |              | B1900-024         | TBA            |                       |                   |                |                                |
| DRES | TD30  |          | SALT   | 2.125    | 11.000   | 3.241      | 7.329      | 9.860  | B1902-256             | B1901-151                | N/A               | B1904-527           | B1903-015           | C5102A                 | B1904-526               | B1903-531               | C6153                      |              | 56-0146    |              | B1900-024         | TBA            |                       |                   |                |                                |
| DRES | TD30  |          | SEALED | 2.125    | 11.000   | 3.239      | 8.280      | 9.870  | B1902-048             | B1901-051                | B1905-047         | B1904-102           | B1903-097           | C5102                  | B1904-101               | B1903-096               | C6156                      | N/A          | 56-0146    | A2392-085    | B1900-024         | TBA            | A2656-085             | B2158-022         | 40916          | 22-085                         |
| DRES | TD40  | SPLIT    | SALT   | 2.456    | 12.600   | 3.722      | 8.322      | 11.020 | B1902-042             | B1901-105                | N/A               | B1904-530           | B1903-533           | C5101                  | B1904-529               | B1903-532               | C6148                      |              | 56-0146    |              | B1900-004         | D1092-011      |                       |                   |                |                                |
| DRES | TD40  | SPLIT    | SEALED | 2.456    | 12.600   | 3.722      | 9.173      | 11.020 | B1902-062             | B1901-114                | N/A               | B1904-530           | B1903-533           | C5101                  | B1904-531               | B1903-532               | C6147                      |              | 56-0146    |              | B1900-004         | D1092-011      |                       |                   |                |                                |
| DRES | TD7   |          | SEALED | 1.250    | 6.500    | 1.806      | 4.535      | 5.998  | B1902-253             | B1901-155                | N/A               | B1904-511           | B1903-526           | C5040                  | B1904-510               | B1903-525               | C6067B                     |              | 56-0146    |              | TBA               | TBA            |                       |                   |                |                                |
| DRES | TD7C  |          | SEALED | 1.250    | 6.500    | 1.806      | 4.535      | 5.998  | B1902-253             | B1901-155                | N/A               | B1904-511           | B1903-526           | C5040                  | B1904-510               | B1903-525               | C6067B                     |              | 56-0146    |              | TBA               | TBA            |                       |                   |                |                                |
| DRES | TD7E  |          | SEALED | 1.250    | 6.500    | 1.800      | 4.533      | 5.990  | B1902-253             | B1903-534                | N/A               | B1904-533           | B1903-526           | C5100                  | B1904-510               | B1903-534               | C6067A                     |              |            |              | TBA               | TBA            |                       |                   |                |                                |
| DRES | TD7G  |          | SALT   | 1.312    | 6.690    | 2.115      | 4.187      | 6.490  | B1902-036             | B1901-128                | N/A               | B1904-534           | B1903-454           | C5040C                 | B1904-532               | B1903-535               | C6068B                     |              | 56-0146    |              | B1900-032         | TBA            |                       |                   |                |                                |
| DRES | TD7H  |          | DRY    | 1.312    | 6.690    | 2.115      | 4.760      | 6.490  | B1902-029             | B1901-071                | N/A               | B1904-534           | B1903-454           | C5040C                 | B1904-532               | B1903-535               | C6068B                     |              | 56-0146    |              | B1900-032         | TBA            |                       |                   |                |                                |
| DRES | TD8C  |          | SEALED | 1.375    | 6.690    | 2.053      | 4.908      | 6.490  | B1902-210             | B1901-117                | B1905-015         | B1904-308           | B1903-344           | C5048                  | B1904-309               | B1903-345               | C6146                      | A2904-001    | 56-0146    | A2392-015A   | B1900-003         | D1054-050      | A2656-015A            | B2440-003         | TBA            | 22-015A                        |
| DRES | TD8E  |          | SEALED | 1.375    | 6.690    | 2.053      | 4.908      | 6.490  | B1902-210             | B1901-117                | B1905-015         | B1904-308           | B1903-344           | C5048                  | B1904-309               | B1903-345               | C6146                      | A2904-001    | 56-0146    | A2392-015A   | B1900-003         | D1054-050      | A2656-015A            | B2440-003         | TBA            | 22-015A                        |
| DRES | TD8G  |          | SALT   | 1.312    | 6.690    | 2.115      | 4.187      | 6.490  | B1902-036             | B1901-128                | N/A               | B1904-534           | B1903-454           | C5040C                 | B1904-532               | B1903-535               | C6068B                     |              | 56-0146    |              | B1900-032         | TBA            |                       |                   |                |                                |
| DRES | TD8G  |          | SEALED | 1.312    | 6.690    | 2.115      | 4.760      | 6.490  | B1902-029             | B1901-071                | N/A               | B1904-534           | B1903-454           | C5040C                 | B1904-532               | B1903-535               | C6068B                     |              | 56-0146    |              | B1900-032         | TBA            |                       |                   |                |                                |
| DRES | TD-8G |          | DRY    | 1.312    | 6.690    | 2.115      | 4.760      | 6.490  | B1902-029             | B1901-071                | N/A               | B1904-534           | B1903-454           | C5040C                 | B1904-532               | B1903-535               | C6068B                     |              | 56-0146    |              | B1900-032         | TBA            |                       |                   |                |                                |
| DRES | TD9   |          | SEALED | 1.375    | 6.690    | 2.053      | 4.908      | 6.490  | B1902-210             | B1901-117                | B1905-015         | B1904-308           | B1903-344           | C5048                  | B1904-309               | B1903-345               | C6146                      | A2904-001    | 56-0146    | A2392-015A   | B1900-003         | D1054-050      | A2656-015A            | B2440-003         | TBA            | 22-015A                        |
| DRES | TD9B  |          | SEALED | 1.375    | 6.690    | 2.053      | 4.908      | 6.490  | B1902-210             | B1901-117                | B1905-015         | B1904-308           | B1903-344           | C5048                  | B1904-309               | B1903-345               | C6146                      | A2904-001    | 56-0146    | A2392-015A   | B1900-003         | D1054-050      | A2656-015A            | B2440-003         | TBA            | 22-015A                        |
| DRES | TD9H  |          | SALT   | 1.312    | 6.690    | 2.115      | 4.187      | 6.490  | B1902-036             | B1901-128                | N/A               | B1904-534           | B1903-454           | C5040C                 | B1904-532               | B1903-535               | C6068B                     |              | 56-0146    |              | B1900-032         | TBA            |                       |                   |                |                                |
| FIAT | 31    |          | DRY    | 2.374    | 12.953   | 3.876      | 10.195     | 11.281 | B1902-257             | B1901-047                | N/A               | B1904-576           | B1903-557           | C5094                  | B1904-583               | B1903-556               | C6271                      |              | 56-0146    | A2392-428    | B1900-023         | D1091-001      |                       |                   |                | 22-428                         |
| FIAT | 31    |          | SALT   | 2.374    | 12.953   | 3.876      | 9.748      | 11.281 | B1902-114             | B1901-111                | N/A               | B1904-576           | B1903-557           | C5094                  | B1904-582               | B1903-556               | C6049                      |              | 56-0146    | A2392-427    | B1900-023         | D1091-001      |                       |                   |                | 22-427                         |



### WTC Machinery C-Style Tool Chart

| Make | Model | Comments | Type     | Pin Dia. | Pin Len. | Bush. Dia. | Bush. Len. | Pitch  | Pin Disass'y Tool (2) | Bushing Disassy Tool (2) | Master Spacer (2) | Pin Assy Holder (2) | Pin Assy Insert (2) | Full Pin Assy Tool (2) | Bushing Assy Holder (2) | Bushing Assy Insert (2) | Full Bushing Assy Tool (2) | Pin Shim (4) | Spring (4) | WTC Tool Set | WTC Mount Bar (2) | WTC Saddle (1) | Track Master Tool Set | T M Mount Bar (2) | T M Saddle (1) | Tool Set No Saddle or Toolbars |
|------|-------|----------|----------|----------|----------|------------|------------|--------|-----------------------|--------------------------|-------------------|---------------------|---------------------|------------------------|-------------------------|-------------------------|----------------------------|--------------|------------|--------------|-------------------|----------------|-----------------------|-------------------|----------------|--------------------------------|
| FIAT | 652   |          | UNSEALED | 1.250    | 6.240    | 1.875      | 4.525      | 6.000  | B1902-258             | B1901-129                | N/A               | B1904-536           | B1903-526           | C5004A                 | B1904-535               | B1903-536               | C6163                      |              | 56-0146    |              | B1900-012         | TBA            |                       |                   |                |                                |
| FIAT | 653   |          | UNSEALED | 1.250    | 6.240    | 1.875      | 4.525      | 6.000  | B1902-258             | B1901-129                | N/A               | B1904-536           | B1903-526           | C5004A                 | B1904-535               | B1903-536               | C6163                      |              | 56-0146    |              | B1900-012         | TBA            |                       |                   |                |                                |
| FIAT | 655   |          | UNSEALED | 1.250    | 6.240    | 1.875      | 4.525      | 6.000  | B1902-258             | B1901-129                | N/A               | B1904-536           | B1903-526           | C5004A                 | B1904-535               | B1903-536               | C6163                      |              | 56-0146    |              | B1900-012         | TBA            |                       |                   |                |                                |
| FIAT | 12G   |          | SEALED   | 1.878    | 10.270   | 2.875      | 6.927      | 7.858  | B1902-009             | B1901-150                | N/A               | B1904-564           | B1903-090           | C5030                  | B1904-563               | B1903-549               | C6028                      |              | 56-0146    | A2392-248    | B1900-013         | TBA            |                       |                   |                | 22-248                         |
| FIAT | 12G   |          | UNSEALED | 1.874    | 10.270   | 2.875      | 7.732      | 7.858  | B1902-134             | B1901-067                | N/A               | B1904-522           | B1903-440           | C5020                  | B1904-566               | B1903-382               | C6046                      |              | 56-0146    | A2392-250    | B1900-013         | TBA            |                       |                   |                | 22-250                         |
| FIAT | 14B   |          | UNSEALED | 1.578    | 8.661    | 2.366      | 6.290      | 7.480  | B1902-180             | B1901-102                | N/A               | B1904-262           | B1903-299           | C5022C                 | B1904-261               | B1903-298               | C6043                      | A2904-001    | 56-0146    | A2392-034    | B1900-002         | D1054-027A     | A2656-034A            | B2158-007         | 41289          | 22-034                         |
| FIAT | 14C   |          | UNSEALED | 1.578    | 8.661    | 2.366      | 6.290      | 7.480  | B1902-180             | B1901-102                | N/A               | B1904-262           | B1903-299           | C5022C                 | B1904-261               | B1903-298               | C6043                      | A2904-001    | 56-0146    | A2392-034    | B1900-002         | D1054-027A     | A2656-034A            | B2158-007         | 41289          | 22-034                         |
| FIAT | 41B   |          | DRY      | 2.622    | 14.000   | 4.122      | 10.197     | 11.281 | B1902-264             | B1901-160                | N/A               | B1904-574           | B1903-555           | C5218                  | B1904-584               | B1903-560               | C6272                      |              | 56-0146    | A2392-430    | B1900-023         |                |                       |                   |                | 22-430                         |
| FIAT | 41B   |          | SALT     | 2.622    | 14.000   | 4.122      | 9.354      | 11.281 | B1902-261             | B1901-211                | N/A               | B1904-725           | B1903-626           | C5296                  | B1904-724               | B1903-625               | C6324                      |              | 56-0146    |              | B1900-023         | D1092-022      |                       |                   |                | 22-462                         |
| FIAT | 60C   |          | UNSEALED | 1.377    | 7.010    | 2.043      | 5.190      | 6.692  | B1902-115             | B1901-079                | B1905-093         | B1904-201           | B1903-224           | C5025B                 | B1904-202               | B1903-226               | C6038                      | N/A          | 56-0146    | A2392-189    | B1900-030         | 41102          | A2656-189             | B2440-001         | 41102          | 22-189                         |
| FIAT | 70C   |          | UNSEALED | 1.377    | 7.010    | 2.043      | 5.190      | 6.692  | B1902-115             | B1901-079                | B1905-093         | B1904-201           | B1903-224           | C5025B                 | B1904-202               | B1903-226               | C6038                      | N/A          | 56-0146    | A2392-189    | B1900-030         | 41102          | A2656-189             | B2440-001         | 41102          | 22-189                         |
| FIAT | AD10  |          | UNSEALED | 1.459    | 7.874    | 2.287      | 5.740      | 6.929  | B1902-083             | B1901-076                | N/A               | B1904-547           | B1903-049           | C5022A                 | B1904-546               | B1903-498               | C6040A                     |              | 56-0146    |              | B1900-030         | D1054-047      |                       |                   |                |                                |
| FIAT | AD10B |          | UNSEALED | 1.459    | 7.874    | 2.287      | 5.740      | 6.929  | B1902-083             | B1901-076                | N/A               | B1904-547           | B1903-049           | C5022A                 | B1904-546               | B1903-498               | C6040A                     |              | 56-0146    |              | B1900-030         | D1054-047      |                       |                   |                |                                |
| FIAT | AD12  |          | SALT     | 1.577    | 8.660    | 2.364      | 6.290      | 6.000  | B1902-189             | B1901-154                | N/A               | B1904-560           | B1903-547           | C5022B                 | B1904-559               | B1903-546               | C6188                      |              | 56-0146    | A2392-245    | B1900-012         | TBA            |                       |                   |                | 22-245                         |
| FIAT | AD12  |          | UNSEALED | 1.578    | 8.661    | 2.366      | 6.290      | 7.480  | B1902-180             | B1901-102                | N/A               | B1904-262           | B1903-299           | C5022C                 | B1904-261               | B1903-298               | C6043                      | A2904-001    | 56-0146    | A2392-034    | B1900-002         | D1054-027A     | A2656-034A            | B2158-007         | 41289          | 22-034                         |
| FIAT | AD14  |          | SALT     | 1.577    | 8.660    | 2.364      | 6.290      | 6.000  | B1902-189             | B1901-154                | N/A               | B1904-560           | B1903-547           | C5022B                 | B1904-559               | B1903-546               | C6188                      |              | 56-0146    | A2392-245    | B1900-012         | TBA            |                       |                   |                | 22-245                         |
| FIAT | AD14  |          | UNSEALED | 1.578    | 8.661    | 2.366      | 6.290      | 7.480  | B1902-180             | B1901-102                | N/A               | B1904-262           | B1903-299           | C5022C                 | B1904-261               | B1903-298               | C6043                      | A2904-001    | 56-0146    | A2392-034    | B1900-002         | D1054-027A     | A2656-034A            | B2158-007         | 41289          | 22-034                         |
| FIAT | AD6   |          | UNSEALED | 1.377    | 7.010    | 2.043      | 5.190      | 6.692  | B1902-115             | B1901-079                | B1905-093         | B1904-201           | B1903-224           | C5025B                 | B1904-202               | B1903-226               | C6038                      | N/A          | 56-0146    | A2392-189    | B1900-030         | 41102          | A2656-189             | B2440-001         | 41102          | 22-189                         |
| FIAT | AD7   |          | UNSEALED | 1.377    | 7.010    | 2.043      | 5.190      | 6.692  | B1902-115             | B1901-079                | B1905-093         | B1904-201           | B1903-224           | C5025B                 | B1904-202               | B1903-226               | C6038                      | N/A          | 56-0146    | A2392-189    | B1900-030         | 41102          | A2656-189             | B2440-001         | 41102          | 22-189                         |
| FIAT | AD7C  |          | UNSEALED | 1.377    | 7.010    | 2.043      | 5.190      | 6.692  | B1902-115             | B1901-079                | B1905-093         | B1904-201           | B1903-224           | C5025B                 | B1904-202               | B1903-226               | C6038                      | N/A          | 56-0146    | A2392-189    | B1900-030         | 41102          | A2656-189             | B2440-001         | 41102          | 22-189                         |
| FIAT | AD8   |          | UNSEALED | 1.380    | 7.126    | 2.050      | 5.110      | 6.693  | B1902-094             | B1901-153                | N/A               | B1904-545           | B1903-539           | C5025A                 | B1904-544               | B1903-542               | C6039                      |              | 56-0146    |              | B1900-030         | D1054-049      |                       |                   |                |                                |
| FIAT | AD9   |          | UNSEALED | 1.377    | 7.010    | 2.043      | 5.190      | 6.692  | B1902-115             | B1901-079                | B1905-093         | B1904-201           | B1903-224           | C5025B                 | B1904-202               | B1903-226               | C6038                      | N/A          | 56-0146    | A2392-189    | B1900-030         | 41102          | A2656-189             | B2440-001         | 41102          | 22-189                         |
| FIAT | B1    |          | UNSEALED | 0.984    | 5.280    | 1.452      | 3.810      | 5.512  | B1902-123             | B1901-085                | B1905-101         | B1904-214           | B1903-242           | C5028                  | B1904-213               | B1903-241               | C6033                      | N/A          | 56-0146    | A2392-196    | TBA               | TBA            | A2659-169             | B2158-017         | D1276          |                                |
| FIAT | BD10  |          | UNSEALED | 1.459    | 7.874    | 2.287      | 5.740      | 6.929  | B1902-083             | B1901-076                | N/A               | B1904-547           | B1903-049           | C5022A                 | B1904-546               | B1903-498               | C6040A                     |              | 56-0146    |              | B1900-030         | D1054-047      |                       |                   |                |                                |
| FIAT | BD10B |          | UNSEALED | 1.459    | 7.874    | 2.287      | 5.740      | 6.929  | B1902-083             | B1901-076                | N/A               | B1904-547           | B1903-049           | C5022A                 | B1904-546               | B1903-498               | C6040A                     |              | 56-0146    |              | B1900-030         | D1054-047      |                       |                   |                |                                |
| FIAT | BD12  |          | SALT     | 1.577    | 8.660    | 2.364      | 6.290      | 6.000  | B1902-189             | B1901-154                | N/A               | B1904-560           | B1903-547           | C5022B                 | B1904-559               | B1903-546               | C6188                      |              | 56-0146    | A2392-245    | B1900-012         | TBA            |                       |                   |                | 22-245                         |
| FIAT | BD12  |          | UNSEALED | 1.578    | 8.661    | 2.366      | 6.290      | 7.480  | B1902-180             | B1901-102                | N/A               | B1904-262           | B1903-299           | C5022C                 | B1904-261               | B1903-298               | C6043                      | A2904-001    | 56-0146    | A2392-034    | B1900-002         | D1054-027A     | A2656-034A            | B2158-007         | 41289          | 22-034                         |
| FIAT | BD14  |          | SALT     | 1.577    | 8.660    | 2.364      | 6.290      | 6.000  | B1902-189             | B1901-154                | N/A               | B1904-560           | B1903-547           | C5022B                 | B1904-559               | B1903-546               | C6188                      |              | 56-0146    | A2392-245    | B1900-012         | TBA            |                       |                   |                | 22-245                         |
| FIAT | BD14  |          | UNSEALED | 1.578    | 8.661    | 2.366      | 6.290      | 7.480  | B1902-180             | B1901-102                | N/A               | B1904-262           | B1903-299           | C5022C                 | B1904-261               | B1903-298               | C6043                      | A2904-001    | 56-0146    | A2392-034    | B1900-002         | D1054-027A     | A2656-034A            | B2158-007         | 41289          | 22-034                         |
| FIAT | BD7   |          | UNSEALED | 1.377    | 7.010    | 2.043      | 5.190      | 6.692  | B1902-115             | B1901-079                | B1905-093         | B1904-201           | B1903-224           | C5025B                 | B1904-202               | B1903-226               | C6038                      | N/A          | 56-0146    | A2392-189    | B1900-030         | 41102          | A2656-189             | B2440-001         | 41102          | 22-189                         |
| FIAT | BD7C  |          | UNSEALED | 1.377    | 7.010    | 2.043      | 5.190      | 6.692  | B1902-115             | B1901-079                | B1905-093         | B1904-201           | B1903-224           | C5025B                 | B1904-202               | B1903-226               | C6038                      | N/A          | 56-0146    | A2392-189    | B1900-030         | 41102          | A2656-189             | B2440-001         | 41102          | 22-189                         |
| FIAT | BD8   |          | UNSEALED | 1.380    | 7.126    | 2.050      | 5.110      | 6.693  | B1902-094             | B1901-153                | N/A               | B1904-545           | B1903-539           | C5025A                 | B1904-544               | B1903-542               | C6039                      |              | 56-0146    |              | B1900-030         | D1054-049      |                       |                   |                |                                |
| FIAT | BD9   |          | UNSEALED | 1.377    | 7.010    | 2.043      | 5.190      | 6.692  | B1902-115             | B1901-079                | B1905-093         | B1904-201           | B1903-224           | C5025B                 | B1904-202               | B1903-226               | C6038                      | N/A          | 56-0146    | A2392-189    | B1900-030         | 41102          | A2656-189             | B2440-001         | 41102          | 22-189                         |
| FIAT | FA200 |          | SALT     | 1.577    | 8.660    | 2.364      | 6.290      | 6.000  | B1902-189             | B1901-154                | N/A               | B1904-560           | B1903-547           | C5022B                 | B1904-559               | B1903-546               | C6188                      |              | 56-0146    | A2392-245    | B1900-012         | TBA            |                       |                   |                | 22-245                         |
| FIAT | FD14  |          | SALT     | 1.577    | 8.660    | 2.364      | 6.290      | 6.000  | B1902-189             | B1901-154                | N/A               | B1904-560           | B1903-547           | C5022B                 | B1904-559               | B1903-546               | C6188                      |              | 56-0146    | A2392-245    | B1900-012         | TBA            |                       |                   |                | 22-245                         |
| FIAT | FD20  |          | SALT     | 1.880    | 9.900    | 2.811      | 6.410      | 8.503  | B1902-173             | B1901-050                | N/A               | B1904-251           | B1903-278           | C5006C                 | B1904-248               | B1903-285               | C6185                      | A2904-002    | 56-0146    | A2392-220    | B1900-001         | D1096-001      | A2656-220             | B2158-006         | 52637          | 22-220                         |
| FIAT | FD20  |          | UNSEALED | 1.873    | 9.843    | 2.819      | 7.236      | 8.504  | B1902-001             | B1901-001                | B1905-001         | B1904-002           | B1903-002           | C5019                  | B1904-001               | B1903-001               | C6072A                     | AS REQ.      | 56-0144    | A2392-082    | B1900-001         | D1096-001      | A2656-082A            | B2158-006         | 41955          | 22-082                         |





### WTC Machinery C-Style Tool Chart

2/13/2024

| Make | Model  | Comments      | Type     | Pin Dia. | Pin Len. | Bush. Dia. | Bush. Len. | Pitch  | Pin Disass'y Tool (2) | Bushing Disassy Tool (2) | Master Spacer (2) | Pin Assy Holder (2) | Pin Assy Insert (2) | Full Pin Assy Tool (2) | Bushing Assy Holder (2) | Bushing Assy Insert (2) | Full Bushing Assy Tool (2) | Pin Shim (4) | Spring (4) | WTC Tool Set | WTC Mount Bar (2) | WTC Saddle (1) | Track Master Tool Set | T M Mount Bar (2) | T M Saddle (1) | Tool Set No Saddle or Toolbars |
|------|--------|---------------|----------|----------|----------|------------|------------|--------|-----------------------|--------------------------|-------------------|---------------------|---------------------|------------------------|-------------------------|-------------------------|----------------------------|--------------|------------|--------------|-------------------|----------------|-----------------------|-------------------|----------------|--------------------------------|
| FIAT | FD30   |               | UNSEALED | 2.036    | 11.660   | 3.194      | 8.580      | 9.042  | B1902-041             | B1901-046                | B1905-042         | B1904-093           | B1903-092           | C5016                  | B1904-092               | B1903-091               | C6020                      | N/A          | 56-0146    | A2392-028    | B1900-022         | D1054-022      | A2656-028             | B2158-012         | TBA            | 22-028                         |
| FIAT | FD31   |               | SALT     | 2.373    | 12.950   | 3.876      | 9.350      | 11.281 | B1902-024             | B1901-047                | N/A               | B1904-576           | B1903-557           | C5094                  | B1904-575               | B1903-556               | C6133                      |              | 56-0146    | A2392-340    | B1900-023         | D1091-001      |                       |                   |                | 22-340                         |
| FIAT | FD31   |               | UNSEALED | 2.375    | 12.950   | 3.880      | 9.946      | 11.250 | B1902-042             | B1902-042                | B1905-043         | B1904-095           | B1903-094           | C5033                  | B1904-094               | B1903-093               | C6050                      | N/A          | 56-0146    | A2392-122    | B1900-023         | D1091-001      | A2656-122             | B2158-023         | TBA            | 22-122                         |
| FIAT | FD40   |               | DRY      | 2.374    | 12.953   | 3.876      | 10.195     | 11.281 | B1902-257             | B1901-047                | N/A               | B1904-576           | B1903-557           | C5094                  | B1904-583               | B1903-556               | C6271                      |              | 56-0146    | A2392-428    | B1900-023         | D1091-001      |                       |                   |                | 22-428                         |
| FIAT | FD40   |               | SALT     | 2.373    | 12.950   | 3.876      | 9.350      | 11.281 | B1902-024             | B1901-047                | N/A               | B1904-576           | B1903-557           | C5094                  | B1904-575               | B1903-556               | C6133                      |              | 56-0146    | A2392-340    | B1900-023         | D1091-001      |                       |                   |                | 22-340                         |
| FIAT | FD40   |               | SALT     | 2.374    | 12.953   | 3.876      | 9.748      | 11.281 | B1902-114             | B1901-111                | N/A               | B1904-576           | B1903-557           | C5094                  | B1904-582               | B1903-556               | C6049                      |              | 56-0146    | A2392-427    | B1900-023         | D1091-001      |                       |                   |                | 22-427                         |
| FIAT | FD40   |               | UNSEALED | 2.375    | 12.950   | 3.880      | 9.946      | 11.250 | B1902-042             | B1902-042                | B1905-043         | B1904-095           | B1903-094           | C5033                  | B1904-094               | B1903-093               | C6050                      | N/A          | 56-0146    | A2392-122    | B1900-023         | D1091-001      | A2656-122             | B2158-023         | TBA            | 22-122                         |
| FIAT | FD40B  |               | DRY      | 2.374    | 12.953   | 3.876      | 10.195     | 11.281 | B1902-257             | B1901-047                | N/A               | B1904-576           | B1903-557           | C5094                  | B1904-583               | B1903-556               | C6271                      |              | 56-0146    | A2392-428    | B1900-023         | D1091-001      |                       |                   |                | 22-428                         |
| FIAT | FD40B  |               | SALT     | 2.374    | 12.953   | 3.876      | 9.748      | 11.281 | B1902-114             | B1901-111                | N/A               | B1904-576           | B1903-557           | C5094                  | B1904-582               | B1903-556               | C6049                      |              | 56-0146    | A2392-427    | B1900-023         | D1091-001      |                       |                   |                | 22-427                         |
| FIAT | FD5    |               | UNSEALED | 1.143    | 6.457    | 1.772      | 4.488      | 6.299  | B1902-259             | B1901-155                | N/A               | B1904-538           | B1903-538           | C5120                  | B1904-537               | B1903-537               | C6166                      |              | 56-0146    |              | B1900-029         | TBA            |                       |                   |                |                                |
| FIAT | FD50   |               | DRY      | 2.622    | 14.000   | 4.122      | 10.197     | 11.281 | B1902-264             | B1901-160                | N/A               | B1904-574           | B1903-555           | C5218                  | B1904-584               | B1903-560               | C6272                      |              | 56-0146    | A2392-430    | B1900-023         |                |                       |                   |                | 22-430                         |
| FIAT | FD50   |               | SALT     | 2.622    | 14.000   | 4.122      | 9.354      | 11.281 | B1902-261             | B1901-211                | N/A               | B1904-725           | B1903-626           | C5296                  | B1904-724               | B1903-625               | C6324                      |              | 56-0146    |              | B1900-023         | D1092-022      |                       |                   |                | 22-462                         |
| FIAT | FD7    |               | UNSEALED | 1.143    | 6.457    | 1.772      | 4.488      | 6.299  | B1902-259             | B1901-155                | N/A               | B1904-538           | B1903-538           | C5120                  | B1904-537               | B1903-537               | C6166                      |              | 56-0146    |              | B1900-029         | TBA            |                       |                   |                |                                |
| FIAT | FL10   |               | UNSEALED | 1.459    | 7.874    | 2.287      | 5.740      | 6.929  | B1902-083             | B1901-076                | N/A               | B1904-547           | B1903-049           | C5022A                 | B1904-546               | B1903-498               | C6040A                     |              | 56-0146    |              | B1900-030         | D1054-047      |                       |                   |                |                                |
| FIAT | FL100C |               | UNSEALED | 1.377    | 7.010    | 2.043      | 5.190      | 6.692  | B1902-115             | B1901-079                | B1905-093         | B1904-201           | B1903-224           | C5025B                 | B1904-202               | B1903-226               | C6038                      | N/A          | 56-0146    | A2392-189    | B1900-030         | 41102          | A2656-189             | B2440-001         | 41102          | 22-189                         |
| FIAT | FL10B  |               | UNSEALED | 1.459    | 7.874    | 2.287      | 5.740      | 6.929  | B1902-083             | B1901-076                | N/A               | B1904-547           | B1903-049           | C5022A                 | B1904-546               | B1903-498               | C6040A                     |              | 56-0146    |              | B1900-030         | D1054-047      |                       |                   |                |                                |
| FIAT | FL12   |               | UNSEALED | 1.578    | 8.661    | 2.366      | 6.290      | 7.480  | B1902-180             | B1901-102                | N/A               | B1904-262           | B1903-299           | C5022C                 | B1904-261               | B1903-298               | C6043                      | A2904-001    | 56-0146    | A2392-034    | B1900-002         | D1054-027A     | A2656-034A            | B2158-007         | 41289          | 22-034                         |
| FIAT | FL14   |               | SALT     | 1.577    | 8.660    | 2.364      | 6.290      | 6.000  | B1902-189             | B1901-154                | N/A               | B1904-560           | B1903-547           | C5022B                 | B1904-559               | B1903-546               | C6188                      |              | 56-0146    | A2392-245    | B1900-012         | TBA            |                       |                   |                | 22-245                         |
| FIAT | FL14   |               | UNSEALED | 1.578    | 8.661    | 2.366      | 6.290      | 7.480  | B1902-180             | B1901-102                | N/A               | B1904-262           | B1903-299           | C5022C                 | B1904-261               | B1903-298               | C6043                      | A2904-001    | 56-0146    | A2392-034    | B1900-002         | D1054-027A     | A2656-034A            | B2158-007         | 41289          | 22-034                         |
| FIAT | FL14B  |               | UNSEALED | 1.578    | 8.661    | 2.366      | 6.290      | 7.480  | B1902-180             | B1901-102                | N/A               | B1904-262           | B1903-299           | C5022C                 | B1904-261               | B1903-298               | C6043                      | A2904-001    | 56-0146    | A2392-034    | B1900-002         | D1054-027A     | A2656-034A            | B2158-007         | 41289          | 22-034                         |
| FIAT | FL14C  |               | UNSEALED | 1.578    | 8.661    | 2.366      | 6.290      | 7.480  | B1902-180             | B1901-102                | N/A               | B1904-262           | B1903-299           | C5022C                 | B1904-261               | B1903-298               | C6043                      | A2904-001    | 56-0146    | A2392-034    | B1900-002         | D1054-027A     | A2656-034A            | B2158-007         | 41289          | 22-034                         |
| FIAT | FL14D  |               | SALT     | 1.577    | 8.660    | 2.364      | 6.290      | 6.000  | B1902-189             | B1901-154                | N/A               | B1904-560           | B1903-547           | C5022B                 | B1904-559               | B1903-546               | C6188                      |              | 56-0146    | A2392-245    | B1900-012         | TBA            |                       |                   |                | 22-245                         |
| FIAT | FL14E  |               | SALT     | 1.577    | 8.660    | 2.364      | 6.290      | 6.000  | B1902-189             | B1901-154                | N/A               | B1904-560           | B1903-547           | C5022B                 | B1904-559               | B1903-546               | C6188                      |              | 56-0146    | A2392-245    | B1900-012         | TBA            |                       |                   |                | 22-245                         |
| FIAT | FL20   | S/N 7607 & DN | UNSEALED | 1.873    | 9.843    | 2.819      | 7.236      | 8.504  | B1902-001             | B1901-001                | B1905-001         | B1904-002           | B1903-002           | C5019                  | B1904-001               | B1903-001               | C6072A                     | AS REQ.      | 56-0144    | A2392-082    | B1900-001         | D1096-001      | A2656-082A            | B2158-006         | 41955          | 22-082                         |
| FIAT | FL20   | 7608 & UP     | SALT     | 1.880    | 9.900    | 2.811      | 6.410      | 8.503  | B1902-173             | B1901-050                | N/A               | B1904-251           | B1903-278           | C5006C                 | B1904-248               | B1903-285               | C6185                      | A2904-002    | 56-0146    | A2392-220    | B1900-001         | D1096-001      | A2656-220             | B2158-006         | 52637          | 22-220                         |
| FIAT | FL5    |               | UNSEALED | 1.143    | 6.457    | 1.772      | 4.488      | 6.299  | B1902-259             | B1901-155                | N/A               | B1904-538           | B1903-538           | C5120                  | B1904-537               | B1903-537               | C6166                      |              | 56-0146    |              | B1900-029         | TBA            |                       |                   |                |                                |
| FIAT | FL7    |               | UNSEALED | 1.143    | 6.457    | 1.772      | 4.488      | 6.299  | B1902-259             | B1901-155                | N/A               | B1904-538           | B1903-538           | C5120                  | B1904-537               | B1903-537               | C6166                      |              | 56-0146    |              | B1900-029         | TBA            |                       |                   |                |                                |
| FIAT | FL7    |               | UNSEALED | 1.377    | 7.010    | 2.043      | 5.190      | 6.692  | B1902-115             | B1901-079                | B1905-093         | B1904-201           | B1903-224           | C5025B                 | B1904-202               | B1903-226               | C6038                      | N/A          | 56-0146    | A2392-189    | B1900-030         | 41102          | A2656-189             | B2440-001         | 41102          | 22-189                         |
| FIAT | FL8    |               | UNSEALED | 1.377    | 7.010    | 2.043      | 5.190      | 6.692  | B1902-115             | B1901-079                | B1905-093         | B1904-201           | B1903-224           | C5025B                 | B1904-202               | B1903-226               | C6038                      | N/A          | 56-0146    | A2392-189    | B1900-030         | 41102          | A2656-189             | B2440-001         | 41102          | 22-189                         |
| FIAT | FL8C   |               | UNSEALED | 1.377    | 7.010    | 2.043      | 5.190      | 6.692  | B1902-115             | B1901-079                | B1905-093         | B1904-201           | B1903-224           | C5025B                 | B1904-202               | B1903-226               | C6038                      | N/A          | 56-0146    | A2392-189    | B1900-030         | 41102          | A2656-189             | B2440-001         | 41102          | 22-189                         |
| FIAT | FL9    |               | UNSEALED | 1.380    | 7.126    | 2.050      | 5.110      | 6.693  | B1902-094             | B1901-153                | N/A               | B1904-545           | B1903-539           | C5025A                 | B1904-544               | B1903-542               | C6039                      |              | 56-0146    |              | B1900-030         | D1054-049      |                       |                   |                |                                |
| FIAT | FP120  | S/N 41-3000   | DRY      | 2.374    | 12.953   | 3.876      | 10.195     | 11.281 | B1902-257             | B1901-047                | N/A               | B1904-576           | B1903-557           | C5094                  | B1904-583               | B1903-556               | C6271                      |              | 56-0146    | A2392-428    | B1900-023         | D1091-001      |                       |                   |                | 22-428                         |
| FIAT | FP120  | S/N 41-3000   | SALT     | 2.374    | 12.953   | 3.876      | 9.748      | 11.281 | B1902-114             | B1901-111                | N/A               | B1904-576           | B1903-557           | C5094                  | B1904-582               | B1903-556               | C6049                      |              | 56-0146    | A2392-427    | B1900-023         | D1091-001      |                       |                   |                | 22-427                         |
| FIAT | H3     |               |          | 1.253    | 5.840    | 1.750      | 3.603      | 6.000  | B1902-262             | B1901-162                | N/A               | B1904-578           | B1903-526           | C5219                  | B1904-577               | B1903-558               | C6021                      |              | 56-0146    | A2392-341    | B1900-012         |                |                       |                   |                | 22-341                         |
| FIAT | H4     |               | UNSEALED | 1.250    | 6.240    | 1.875      | 4.525      | 6.000  | B1902-258             | B1901-129                | N/A               | B1904-536           | B1903-526           | C5004A                 | B1904-535               | B1903-536               | C6163                      |              | 56-0146    |              | B1900-012         | TBA            |                       |                   |                |                                |
| FIAT | H4     |               |          | 1.253    | 5.840    | 1.750      | 3.603      | 6.000  | B1902-262             | B1901-162                | N/A               | B1904-578           | B1903-526           | C5219                  | B1904-577               | B1903-558               | C6021                      |              | 56-0146    | A2392-341    | B1900-012         |                |                       |                   |                | 22-341                         |
| FIAT | HD10   |               |          | 1.753    | 8.370    | 2.500      | 5.853      | 7.850  | B1902-058             | B1901-149                | N/A               | B1904-394           | B1903-434           | C5021A                 | B1904-580               | B1903-559               | C6270                      |              | 56-0146    | A2392-343    | B1900-013         |                |                       |                   |                | 22-343                         |



**WTC Machinery  
C-Style Tool Chart**

| Make | Model | Comments        | Type     | Pin Dia. | Pin Len. | Bush. Dia. | Bush. Len. | Pitch  | Pin Disass'y Tool (2) | Bushing Disassy Tool (2) | Master Spacer (2) | Pin Assy Holder (2) | Pin Assy Insert (2) | Full Pin Assy Tool (2) | Bushing Assy Holder (2) | Bushing Assy Insert (2) | Full Bushing Assy Tool (2) | Pin Shim (4) | Spring (4) | WTC Tool Set | WTC Mount Bar (2) | WTC Saddle (1) | Track Master Tool Set | T M Mount Bar (2) | T M Saddle (1) | Tool Set No Saddle or Toolbars |
|------|-------|-----------------|----------|----------|----------|------------|------------|--------|-----------------------|--------------------------|-------------------|---------------------|---------------------|------------------------|-------------------------|-------------------------|----------------------------|--------------|------------|--------------|-------------------|----------------|-----------------------|-------------------|----------------|--------------------------------|
| FIAT | HD11  | SN 5901 & UP    | SEALED   | 1.620    | 8.400    | 2.500      | 5.002      | 7.006  | B1902-251             | B1901-149                | N/A               | B1904-552           | B1903-544           | C5024                  | B1904-551               | B1903-397               | C6026                      |              | 56-0146    |              | B1900-004         | D1054-012      |                       |                   |                |                                |
| FIAT | HD11  | S/N 10001 & UP  | UNSEALED | 1.620    | 8.400    | 2.500      | 5.815      | 7.006  | B1902-258             | B1901-036                | N/A               | B1904-554           | B1903-544           | C5024A                 | B1904-553               | B1903-397               | C6041                      |              | 56-0146    |              | B1900-004         | D1054-012      |                       |                   |                |                                |
| FIAT | HD11  | S/N 1000 & DN   | UNSEALED | 1.565    | 8.140    | 2.315      | 5.755      | 7.006  | B1902-189             | B1901-154                | N/A               | B1904-556           | B1903-541           | C5023A                 | B1904-550               | B1903-540               | C6042A                     |              | 56-0146    |              | B1900-004         | D1054-012      |                       |                   |                |                                |
| FIAT | HD11B |                 | SEALED   | 1.620    | 8.400    | 2.500      | 5.002      | 7.006  | B1902-251             | B1901-149                | N/A               | B1904-552           | B1903-544           | C5024                  | B1904-551               | B1903-397               | C6026                      |              | 56-0146    |              | B1900-004         | D1054-012      |                       |                   |                |                                |
| FIAT | HD11B | S/N 10001-19484 | UNSEALED | 1.620    | 8.400    | 2.500      | 5.815      | 7.006  | B1902-258             | B1901-036                | N/A               | B1904-554           | B1903-544           | C5024A                 | B1904-553               | B1903-397               | C6041                      |              | 56-0146    |              | B1900-004         | D1054-012      |                       |                   |                |                                |
| FIAT | HD11B | S/N 19485 & UP  | UNSEALED | 1.620    | 8.600    | 2.500      | 6.094      | 7.006  | B1902-258             | B1901-036                | N/A               | B1904-554           | B1903-544           | C5024A                 | B1904-555               | B1903-397               | C6268                      |              | 56-0146    |              | B1900-004         | D1054-012      |                       |                   |                |                                |
| FIAT | HD11E | S/N 10000 & DN  | SEALED   | 1.565    | 8.140    | 2.311      | 4.924      | 7.006  | B1902-092             | B1901-148                | N/A               | B1904-549           | B1903-541           | C5214                  | B1904-548               | B1903-543               | C6024                      |              | 56-0146    |              | B1900-004         | D1054-012      |                       |                   |                |                                |
| FIAT | HD11E | S/N 10000 & DN  | UNSEALED | 1.565    | 8.140    | 2.315      | 5.755      | 7.000  | B1902-189             | B1901-154                | N/A               | B1904-549           | B1903-541           | C5214                  | B1904-550               | B1903-540               | C6042A                     |              | 56-0146    |              | B1900-004         | D1054-012      |                       |                   |                |                                |
| FIAT | HD11G | S/N 8940 & DN   | SEALED   | 1.565    | 8.140    | 2.311      | 4.924      | 7.006  | B1902-092             | B1901-148                | N/A               | B1904-549           | B1903-541           | C5214                  | B1904-548               | B1903-543               | C6024                      |              | 56-0146    |              | B1900-004         | D1054-012      |                       |                   |                |                                |
| FIAT | HD11G | S/N 8940 & DN   | UNSEALED | 1.565    | 8.140    | 2.315      | 5.755      | 7.000  | B1902-189             | B1901-154                | N/A               | B1904-549           | B1903-541           | C5214                  | B1904-550               | B1903-540               | C6042A                     |              | 56-0146    |              | B1900-004         | D1054-012      |                       |                   |                |                                |
| FIAT | HD11G | S/N 8940 & UP   | UNSEALED | 1.565    | 8.140    | 2.315      | 5.755      | 7.006  | B1902-189             | B1901-154                | N/A               | B1904-556           | B1903-541           | C5023A                 | B1904-550               | B1903-540               | C6042A                     |              | 56-0146    |              | B1900-004         | D1054-012      |                       |                   |                |                                |
| FIAT | HD14  |                 |          | 1.878    | 9.670    | 2.750      | 7.320      | 7.850  | B1902-260             | B1901-150                | N/A               | B1904-562           | B1903-090           | C5020A                 | B1904-561               | B1903-548               | C6045                      |              | 56-0146    | A2392-247    | B1900-013         | TBA            |                       |                   |                | 22-247                         |
| FIAT | HD14  |                 |          | 1.875    | 9.670    | 2.750      | 7.280      | 7.850  | B1902-263             | B1901-163                | N/A               | B1904-562           | B1903-090           | C5020A                 | B1904-579               | B1903-548               | C6045A                     |              | 56-0146    | A2392-342    | B1900-013         |                |                       |                   |                | 22-342                         |
| FIAT | HD15  |                 | UNSEALED | 1.753    | 9.330    | 2.623      | 6.817      | 7.858  | B1902-058             | B1901-058                | N/A               | B1904-394           | B1903-434           | C5021A                 | B1904-465               | B1903-435               | C6044                      |              | 56-0146    | A2392-249    | B1900-013         | TBA            |                       |                   |                | 22-249                         |
| FIAT | HD16  | S/N 5900 & DN   | UNSEALED | 1.753    | 9.330    | 2.623      | 6.817      | 7.858  | B1902-058             | B1901-058                | N/A               | B1904-394           | B1903-434           | C5021A                 | B1904-465               | B1903-435               | C6044                      |              | 56-0146    | A2392-249    | B1900-013         | TBA            |                       |                   |                | 22-249                         |
| FIAT | HD16  | S/N 5901 & UP   | UNSEALED | 1.874    | 10.270   | 2.875      | 7.732      | 7.858  | B1902-134             | B1901-067                | N/A               | B1904-522           | B1903-440           | C5020                  | B1904-566               | B1903-382               | C6046                      |              | 56-0146    | A2392-250    | B1900-013         | TBA            |                       |                   |                | 22-250                         |
| FIAT | HD16B |                 | SEALED   | 1.878    | 10.270   | 2.875      | 6.927      | 7.858  | B1902-009             | B1901-150                | N/A               | B1904-564           | B1903-090           | C5030                  | B1904-563               | B1903-549               | C6028                      |              | 56-0146    | A2392-248    | B1900-013         | TBA            |                       |                   |                | 22-248                         |
| FIAT | HD19  |                 | SEALED   | 1.878    | 11.660   | 2.879      | 8.307      | 9.008  | B1902-009             | B1901-15                 | N/A               | B1904-564           | B1903-090           | C5030                  | B1904-567               | B1903-550               | C6029                      |              | 56-0146    | A2392-348    | B1900-006         | D1096-004      |                       |                   |                |                                |
| FIAT | HD19  |                 | UNSEALED | 1.876    | 11.660   | 2.879      | 9.120      | 9.000  | B1902-002             | B1901-074                | N/A               | B1904-562           | B1903-090           | C5020A                 | B1904-570               | B1903-552               | C6048                      |              | 56-0146    | A2392-350    | B1900-006         | D1096-004      |                       |                   |                |                                |
| FIAT | HD20  |                 | SEALED   | 1.878    | 11.660   | 2.879      | 8.307      | 9.008  | B1902-009             | B1901-15                 | N/A               | B1904-564           | B1903-090           | C5030                  | B1904-567               | B1903-550               | C6029                      |              | 56-0146    | A2392-348    | B1900-006         | D1096-004      |                       |                   |                |                                |
| FIAT | HD20  |                 | UNSEALED | 1.876    | 11.660   | 2.879      | 9.120      | 9.000  | B1902-002             | B1901-074                | N/A               | B1904-562           | B1903-090           | C5020A                 | B1904-570               | B1903-552               | C6048                      |              | 56-0146    | A2392-350    | B1900-006         | D1096-004      |                       |                   |                |                                |
| FIAT | HD21  | S/N 13871-14942 | SEALED   | 1.878    | 11.660   | 2.879      | 8.307      | 9.008  | B1902-009             | B1901-15                 | N/A               | B1904-564           | B1903-090           | C5030                  | B1904-567               | B1903-550               | C6029                      |              | 56-0146    | A2392-348    | B1900-006         | D1096-004      |                       |                   |                |                                |
| FIAT | HD21  |                 | UNSEALED | 1.878    | 11.660   | 2.875      | 9.110      | 9.008  | B1902-002             | B1901-074                | N/A               | B1904-572           | B1903-553           | C5017A                 | B1904-571               | B1903-090               | C6049B                     |              | 56-0146    | A2392-351    | B1900-006         | D1096-004      |                       |                   |                |                                |
| FIAT | HD21  | S/N14943 & UP   | SEALED   | 1.878    | 11.660   | 3.048      | 7.775      | 9.008  | B1902-075             | B1901-075                | N/A               | B1904-568           | B1903-090           | C5017                  | B1904-569               | B1903-551               | C6030                      |              | 56-0146    | A2392-349    | B1900-006         | D1096-004      |                       |                   |                |                                |
| FIAT | HD21  | S/N 14942 & DN  | UNSEALED | 1.878    | 11.660   | 3.040      | 8.584      | 9.008  | B1902-255             | B1901-026                | N/A               | B1904-568           | B1903-090           | C5017                  | B1904-581               | B1903-399               | C6049A                     |              | 56-0146    | A2392-344    | B1900-006         | D1096-004      |                       |                   |                | 22-344                         |
| FIAT | HD21C |                 | UNSEALED | 2.036    | 11.660   | 3.194      | 8.580      | 9.042  | B1902-041             | B1901-046                | B1905-042         | B1904-093           | B1903-092           | C5016                  | B1904-092               | B1903-091               | C6020                      | N/A          | 56-0146    | A2392-028    | B1900-022         | D1054-022      | A2656-028             | B2158-012         | TBA            | 22-028                         |
| FIAT | HD21P | S/N 14942 & DN  | UNSEALED | 1.876    | 11.660   | 2.879      | 9.120      | 9.000  | B1902-002             | B1901-074                | N/A               | B1904-562           | B1903-090           | C5020A                 | B1904-570               | B1903-552               | C6048                      |              | 56-0146    | A2392-350    | B1900-006         | D1096-004      |                       |                   |                |                                |
| FIAT | HD21P | S/N 14943 & UP  | UNSEALED | 1.878    | 11.660   | 2.875      | 9.110      | 9.008  | B1902-002             | B1901-074                | N/A               | B1904-572           | B1903-553           | C5017A                 | B1904-571               | B1903-090               | C6049B                     |              | 56-0146    | A2392-351    | B1900-006         | D1096-004      |                       |                   |                |                                |
| FIAT | HD3   |                 |          | 1.253    | 5.840    | 1.750      | 3.603      | 6.000  | B1902-262             | B1901-162                | N/A               | B1904-578           | B1903-526           | C5219                  | B1904-577               | B1903-558               | C6021                      |              | 56-0146    | A2392-341    | B1900-012         |                |                       |                   |                | 22-341                         |
| FIAT | HD31  |                 | SALT     | 2.373    | 12.950   | 3.876      | 9.350      | 11.281 | B1902-024             | B1901-047                | N/A               | B1904-576           | B1903-557           | C5094                  | B1904-575               | B1903-556               | C6133                      |              | 56-0146    | A2392-340    | B1900-023         | D1091-001      |                       |                   |                | 22-340                         |
| FIAT | HD31  |                 | UNSEALED | 2.375    | 12.950   | 3.880      | 9.946      | 11.250 | B1902-042             | B1902-042                | B1905-043         | B1904-095           | B1903-094           | C5033                  | B1904-094               | B1903-093               | C6050                      | N/A          | 56-0146    | A2392-122    | B1900-023         | D1091-001      | A2656-122             | B2158-023         | TBA            | 22-122                         |
| FIAT | HD4   | S/N 3001 & UP   | UNSEALED | 1.250    | 6.240    | 1.875      | 4.525      | 6.000  | B1902-258             | B1901-129                | N/A               | B1904-536           | B1903-526           | C5004A                 | B1904-535               | B1903-536               | C6163                      |              | 56-0146    |              | B1900-012         | TBA            |                       |                   |                |                                |
| FIAT | HD4   |                 |          | 1.253    | 5.840    | 1.750      | 3.603      | 6.000  | B1902-262             | B1901-162                | N/A               | B1904-578           | B1903-526           | C5219                  | B1904-577               | B1903-558               | C6021                      |              | 56-0146    | A2392-341    | B1900-012         |                |                       |                   |                | 22-341                         |
| FIAT | HD41  |                 | SALT     | 2.373    | 12.950   | 3.876      | 9.350      | 11.281 | B1902-024             | B1901-047                | N/A               | B1904-576           | B1903-557           | C5094                  | B1904-575               | B1903-556               | C6133                      |              | 56-0146    | A2392-340    | B1900-023         | D1091-001      |                       |                   |                | 22-340                         |
| FIAT | HD41  |                 | UNSEALED | 2.375    | 12.950   | 3.880      | 9.946      | 11.250 | B1902-042             | B1902-042                | B1905-043         | B1904-095           | B1903-094           | C5033                  | B1904-094               | B1903-093               | C6050                      | N/A          | 56-0146    | A2392-122    | B1900-023         | D1091-001      | A2656-122             | B2158-023         | TBA            | 22-122                         |
| FIAT | HD41B |                 | SALT     | 2.622    | 14.000   | 4.112      | 9.354      | 11.280 | B1902-261             | B1901-160                | N/A               | B1904-574           | B1903-555           | C5218                  | B1904-573               | B1903-554               | C6269                      |              | 56-0146    | A2392-339    | B1900-023         |                |                       |                   |                | 22-339                         |
| FIAT | HD41B |                 | UNSEALED | 2.623    | 14.000   | 3.998      | 9.927      | 11.280 | B1902-042             | B1902-042                | B1905-043         | B1904-095           | B1903-094           | C5033                  | B1904-094               | B1903-093               | C6050                      | N/A          | 56-0146    | A2392-122    | B1900-023         | D1091-001      | A2656-122             | B2158-023         | TBA            | 22122                          |



WTC Machinery  
C-Style Tool Chart

| Make    | Model    | Comments        | Type     | Pin Dia. | Pin Len. | Bush. Dia. | Bush. Len. | Pitch  | Pin Disass'y Tool (2) | Bushing Disassy Tool (2) | Master Spacer (2) | Pin Assy Holder (2) | Pin Assy Insert (2) | Full Pin Assy Tool (2) | Bushing Assy Holder (2) | Bushing Assy Insert (2) | Full Bushing Assy Tool (2) | Pin Shim (4) | Spring (4) | WTC Tool Set | WTC Mount Bar (2) | WTC Saddle (1) | Track Master Tool Set | T M Mount Bar (2) | T M Saddle (1) | Tool Set No Saddle or Toolbars |        |
|---------|----------|-----------------|----------|----------|----------|------------|------------|--------|-----------------------|--------------------------|-------------------|---------------------|---------------------|------------------------|-------------------------|-------------------------|----------------------------|--------------|------------|--------------|-------------------|----------------|-----------------------|-------------------|----------------|--------------------------------|--------|
| FIAT    | HD5      |                 | SEALED   | 1.375    | 6.910    | 2.005      | 4.030      | 6.495  | B1902-193             | B1901-079                | N/A               | B1904-540           | B1903-539           | C5014A                 | B1904-539               | B1903-074               | C6023                      |              | 56-0146    | A2392-337    | B1900-032         | D1054-038      |                       |                   |                | 22-337                         |        |
| FIAT    | HD5      |                 | UNSEALED | 1.375    | 6.910    | 2.005      | 4.733      | 6.495  | B1902-249             | B1901-071                | N/A               | B1904-540           | B1903-539           | C5014A                 | B1904-541               | B1903-074               | C6036                      |              | 56-0146    |              | B1900-032         | D1054-038      |                       |                   |                |                                |        |
| FIAT    | HD5      |                 |          | 1.753    | 8.370    | 2.500      | 5.853      | 7.850  | B1902-058             | B1901-149                | N/A               | B1904-394           | B1903-434           | C5021A                 | B1904-580               | B1903-559               | C6270                      |              | 56-0146    | A2392-243    | B1900-013         |                |                       |                   |                | 22-343                         |        |
| FIAT    | HD50     |                 | SALT     | 2.622    | 14.000   | 4.112      | 9.354      | 11.280 | B1902-261             | B1901-160                | N/A               | B1904-574           | B1903-555           | C5218                  | B1904-573               | B1903-554               | C6269                      |              | 56-0146    | A2392-339    | B1900-023         |                |                       |                   |                | 22-339                         |        |
| FIAT    | HD50     |                 | UNSEALED | 2.623    | 14.000   | 3.998      | 9.927      | 11.280 | B1902-042             | B1902-042                | B1905-043         | B1904-095           | B1903-094           | C5033                  | B1904-094               | B1903-093               | C6050                      | N/A          | 56-0146    | A2392-122    | B1900-023         | D1091-001      | A2656-122             | B2158-023         | TBA            | 22-122                         |        |
| FIAT    | HD50     |                 |          | 1.753    | 8.370    | 2.500      | 5.853      | 7.850  | B1902-058             | B1901-149                | N/A               | B1904-394           | B1903-434           | C5021A                 | B1904-580               | B1903-559               | C6270                      |              | 56-0146    | A2392-343    | B1900-013         |                |                       |                   |                | 22-343                         |        |
| FIAT    | HD6      |                 | SEALED   | 1.375    | 6.910    | 2.005      | 4.030      | 6.495  | B1902-193             | B1901-079                | N/A               | B1904-540           | B1903-539           | C5014A                 | B1904-539               | B1903-074               | C6023                      |              | 56-0146    | A2392-337    | B1900-032         | D1054-038      |                       |                   |                | 22-337                         |        |
| FIAT    | HD6      |                 | UNSEALED | 1.375    | 6.910    | 2.005      | 4.733      | 6.495  | B1902-249             | B1901-071                | N/A               | B1904-540           | B1903-539           | C5014A                 | B1904-541               | B1903-074               | C6036                      |              | 56-0146    |              | B1900-032         | D1054-038      |                       |                   |                |                                |        |
| FIAT    | HD7G     |                 | SEALED   | 1.565    | 8.140    | 2.311      | 4.924      | 7.006  | B1902-092             | B1901-148                | N/A               | B1904-549           | B1903-541           | C5214                  | B1904-548               | B1903-543               | C6024                      |              | 56-0146    |              | B1900-004         | D1054-012      |                       |                   |                |                                |        |
| FIAT    | HD7G     |                 | UNSEALED | 1.565    | 8.140    | 2.315      | 5.755      | 7.000  | B1902-189             | B1901-154                | N/A               | B1904-549           | B1903-541           | C5214                  | B1904-550               | B1903-540               | C6042A                     |              | 56-0146    |              | B1900-004         | D1054-012      |                       |                   |                |                                |        |
| FIAT    | HD7G     |                 | UNSEALED | 1.565    | 8.140    | 2.315      | 5.755      | 7.006  | B1902-189             | B1901-154                | N/A               | B1904-556           | B1903-541           | C5023A                 | B1904-550               | B1903-540               | C6042A                     |              | 56-0146    |              | B1900-004         | D1054-012      |                       |                   |                |                                |        |
| FIAT    | HD9      |                 | SEALED   | 1.565    | 8.140    | 2.311      | 4.924      | 7.006  | B1902-092             | B1901-148                | N/A               | B1904-549           | B1903-541           | C5214                  | B1904-548               | B1903-543               | C6024                      |              | 56-0146    |              | B1900-004         | D1054-012      |                       |                   |                |                                |        |
| FIAT    | HD9      |                 | UNSEALED | 1.565    | 8.140    | 2.315      | 5.755      | 7.000  | B1902-189             | B1901-154                | N/A               | B1904-549           | B1903-541           | C5214                  | B1904-550               | B1903-540               | C6042A                     |              | 56-0146    |              | B1900-004         | D1054-012      |                       |                   |                |                                |        |
| FIAT    | HD9      |                 | UNSEALED | 1.565    | 8.140    | 2.315      | 5.755      | 7.006  | B1902-189             | B1901-154                | N/A               | B1904-556           | B1903-541           | C5023A                 | B1904-550               | B1903-540               | C6042A                     |              | 56-0146    |              | B1900-004         | D1054-012      |                       |                   |                |                                |        |
| HITACHI | EX100    |                 | UNSEALED | 2.315    | 7.283    | 1.991      | 4.921      | 6.736  | B1902-036             | B1901-129                | N/A               | B1904-489           | B1903-436           | C5247                  | B1904-585               | B1903-405               | C6068A                     |              | 56-0146    | A2392-355    | B1900-019         | D1054-004      |                       |                   |                |                                | 22-355 |
| HITACHI | EX1100   |                 | SEALED   | 2.290    | 12.578   | 3.540      | 8.740      | 10.250 | B1902-244             | B1901-164                | N/A               | B1904-592           | B1903-563           | C5171                  | B1904-591               | B1903-562               | C6234                      |              | 56-0146    | A2392-359    | B1900-007         | D1092-007      |                       |                   |                |                                | 22-359 |
| HITACHI | EX120    |                 | UNSEALED | 3.315    | 7.283    | 1.991      | 4.921      | 6.736  | B1902-036             | B1901-129                | N/A               | B1904-489           | B1903-436           | C5247                  | B1904-585               | B1903-405               | C6068A                     |              | 56-0146    | A2392-355    | B1900-019         | D1054-004      |                       |                   |                |                                | 22-355 |
| HITACHI | EX1200-5 |                 | SEALED   | 2.290    | 12.578   | 3.540      | 8.740      | 10.250 | B1902-244             | B1901-164                | N/A               | B1904-592           | B1903-563           | C5171                  | B1904-591               | B1903-562               | C6234                      |              | 56-0146    | A2392-359    | B1900-007         | D1092-007      |                       |                   |                |                                | 22-359 |
| HITACHI | EX200    |                 | SEALED   | 1.442    | 8.346    | 2.303      | 5.728      | 7.484  | B1902-123             | B1901-117                | N/A               | B1904-059           | B1903-438           | C5134                  | B1904-586               | B1903-495               | C6094A                     |              | 56-0146    | A2392-356    | B1900-002         | D1054-035      |                       |                   |                |                                | 22-356 |
| HITACHI | EX400    |                 | SEALED   | 1.875    | 10.000   | 2.810      | 6.950      | 8.500  | B1902-258             | B1901-020                | N/A               | B1904-588           | B1903-440           | C5012                  | B1904-587               | B1903-561               | C6013A                     |              | 56-0146    | A2392-357    | B1900-009         | D1096-001      |                       |                   |                |                                | 22-357 |
| HITACHI | EX700    |                 | SEALED   | 2.185    | 12.610   | 3.445      | 8.500      | 10.250 | B1902-105             | B1901-007                | N/A               | B1904-590           | B1903-484           | C5125A                 | B1904-589               | B1903-486               | C6126A                     |              | 56-0146    | A2392-358    | B1900-007         | D1092-004      |                       |                   |                |                                | 22-358 |
| HITACHI | EX800    |                 | SEALED   | 2.185    | 12.610   | 3.445      | 8.500      | 10.250 | B1902-105             | B1901-007                | N/A               | B1904-590           | B1903-484           | C5125A                 | B1904-589               | B1903-486               | C6126A                     |              | 56-0146    | A2392-358    | B1900-007         | D1092-004      |                       |                   |                |                                | 22-358 |
| HITACHI | EX90     |                 | UNSEALED | 1.315    | 7.283    | 1.991      | 4.921      | 6.736  | B1902-036             | B1901-129                | N/A               | B1904-489           | B1903-436           | C5247                  | B1904-585               | B1903-405               | C6068A                     |              | 56-0146    | A2392-355    | B1900-019         | D1054-004      |                       |                   |                |                                | 22-355 |
| JD      | 70       |                 | SEALED   | 1.190    | 6.102    | 1.820      | 4.071      | 6.063  | B1902-135             | B1901-083                | B1905-098         | B1904-231           | B1903-236           | C5025                  | B1904-211               | B1903-261               | C6175A                     | 204050       | 56-0146    | A2392-200    | B2376-004         | D1054-052      | A2656-200             | B2474-001         | 43072          | 22-200                         |        |
| JD      | 80       |                 | SEALED   | 0.950    | 5.157    | 1.624      | 3.189      | 6.062  | B1902-267             | B1901-158                | N/A               | B1904-622           | B1903-523           | C5074                  | B1904-621               | B1903-578               | C6230                      |              | 56-0146    | A2392-375    | B1900-039         | D1054-025      |                       |                   |                |                                | 22-375 |
| JD      | 110      |                 | SEALED   | 1.319    | 7.008    | 1.984      | 4.540      | 6.750  | B1902-186             | B1901-104                | N/A               | B1904-264           | B1903-113           | C5002B                 | B1904-238               | B1903-302               | C6174                      | A2904-001    | 56-0146    | A2392-216    | B1900-014         | D1054-051      | A2656-216             | B2440-008         | 42101          | 22-216                         |        |
| JD      | 120      |                 | SEALED   | 1.319    | 7.008    | 1.984      | 4.540      | 6.750  | B1902-186             | B1901-104                | N/A               | B1904-264           | B1903-113           | C5002B                 | B1904-238               | B1903-302               | C6174                      | A2904-001    | 56-0146    | A2392-216    | B1900-014         | D1054-051      | A2656-216             | B2440-008         | 42101          | 22-216                         |        |
| JD      | 135      |                 | SEALED   | 1.319    | 7.008    | 1.984      | 4.540      | 6.750  | B1902-186             | B1901-104                | N/A               | B1904-264           | B1903-113           | C5002B                 | B1904-238               | B1903-302               | C6174                      | A2904-001    | 56-0146    | A2392-216    | B1900-014         | D1054-051      | A2656-216             | B2440-008         | 42101          | 22-216                         |        |
| JD      | 291      |                 | SEALED   | 1.181    | 6.456    | 1.850      | 4.000      | 6.125  | B1902-157             | B1901-083                | B1905-173         | B1904-108           | B1903-264           | C5136                  | B1904-233               | B1903-263               | C6189                      | 204050       | 56-0146    | A2392-201    | B1900-016         | D1054-017      | A2656-201             | B2474-002         | D1292          | 22-201                         |        |
| JD      | 350      |                 | FLUSH    | 1.192    | 5.470    | 1.752      | 3.225      | 5.749  | B1902-051             | B1901-054                | N/A               | B1904-283           | B1903-103           | C5065                  | B1904-282               | B1903-102               | C6057                      | 204050       | 56-0146    | A2392-048A   | B1900-010         | D1054-005      | A2656-048             | B2436             | 40994          | 22-048A                        |        |
| JD      | 370      |                 | SEALED   | 1.873    | 10.000   | 2.809      | 6.968      | 8.500  | B1902-156             | B1901-062                | B1905-172         | B1904-664           | B1903-440           | C5087                  | B1904-663               | B1903-561               | C6195                      | A2904-002    | 56-0146    | A2392-202    | B1900-009         | D1096-013      | A2656-202             | B2158-006         | D1119-004      | 22-202                         |        |
| JD      | 450      |                 | FLUSH    | 1.377    | 6.080    | 2.008      | 3.880      | 6.290  | B1902-054             | B1901-056                | N/A               | B1904-115           | B1903-110           | C5056A                 | B1904-111               | B1903-106               | C6099                      | A2904-001    | 56-0146    | A2392-054    | B1900-017         | D1054-006      | A2656-054             | B2440-007         | 40989          | 22-054                         |        |
| JD      | 450      | S/N 216337 & DN | RECESSED | 1.376    | 6.080    | 2.008      | 4.380      | 6.290  | B1902-065             | B1901                    | B1905-050         | B1904-307           | B1903-129           | C5056B                 | B1904-237               | B1903-130               | C6091                      | A2904-001    | 56-0146    | A2392-070B   | B1900-017         | D1054-006      | A2656-070             | B2440-007         | 40989          | 22-070B                        |        |
| JD      | 450      | S/N 216338 & UP | SEALED   | 1.376    | 6.200    | 2.128      | 4.240      | 6.290  | B1902-064             | B1901-066                | B1905-049         | B1904-131           | B1903-129           | C5074A                 | B1904-130               | B1903-128               | C6089                      | A2904-001    | 56-0146    | A2392-047A   | B1900-017         | D1054-006      | A2656-047             | B2440-006         | 42155          | 22-047A                        |        |
| JD      | 490      |                 | RECESSED | 1.320    | 6.970    | 1.990      | 5.000      | 6.750  | B1902-167             | B1901-096                | B1905-183         | B1904-245           | B1903-276           | C5074B                 | B1904-246               | B1903-277               | C6096                      | A2904-001    | 56-0146    | A2392-078    | B1900-019         | D1054-037      | A2656-078             | B2440-004         | 42101          | 22-078                         |        |
| JD      | 550      | S/N 216338 & UP | SEALED   | 1.376    | 6.200    | 2.128      | 4.240      | 6.290  | B1902-064             | B1901-066                | B1905-049         | B1904-131           | B1903-129           | C5074A                 | B1904-130               | B1903-128               | C6089                      | A2904-001    | 56-0146    | A2392-047A   | B1900-017         | D1054-006      | A2656-047             | B2440-006         | 42155          | 22-047A                        |        |
| JD      | 555      | S/N 216338 & UP | SEALED   | 1.376    | 6.200    | 2.128      | 4.240      | 6.290  | B1902-064             | B1901-066                | B1905-049         | B1904-131           | B1903-129           | C5074A                 | B1904-130               | B1903-128               | C6089                      | A2904-001    | 56-0146    | A2392-047A   | B1900-017         | D1054-006      | A2656-047             | B2440-006         | 42155          | 22-047A                        |        |



**WTC Machinery  
C-Style Tool Chart**

| Make | Model  | Comments            | Type     | Pin Dia. | Pin Len. | Bush. Dia. | Bush. Len. | Pitch | Pin Disass'y Tool (2) | Bushing Disassy Tool (2) | Master Spacer (2) | Pin Assy Holder (2) | Pin Assy Insert (2) | Full Pin Assy Tool (2) | Bushing Assy Holder (2) | Bushing Assy Insert (2) | Full Bushing Assy Tool (2) | Pin Shim (4) | Spring (4) | WTC Tool Set | WTC Mount Bar (2) | WTC Saddle (1) | Track Master Tool Set | T M Mount Bar (2) | T M Saddle (1) | Tool Set No Saddle or Toolbars |
|------|--------|---------------------|----------|----------|----------|------------|------------|-------|-----------------------|--------------------------|-------------------|---------------------|---------------------|------------------------|-------------------------|-------------------------|----------------------------|--------------|------------|--------------|-------------------|----------------|-----------------------|-------------------|----------------|--------------------------------|
| JD   | 590    | S/N 001787 & UP     |          | 1.366    | 7.598    | 2.116      | 5.180      | 6.750 | B1902-269             | B1901-071                | N/A               | B1904-616           | B1903-576           | C5142A                 | B1904-607               | B1903-535               | C6275                      |              | 56-0146    | A2392-378    | B1900-014         | D1054-001      |                       |                   |                | 22-378                         |
| JD   | 655    |                     | SALT     | 1.440    | 8.110    | 2.310      | 5.218      | 6.991 | B1902-057             | B1901-097                | N/A               | B1904-249           | B1903-115           | C5042A                 | B1904-058               | B1903-280               | C6162                      | A2904-001    | 56-0146    | A2392-141    | B1900-008         | D1054-041      | A2656-141             | B2440-010         | 51835          | 22-141                         |
| JD   | 700    |                     | SALT     | 1.440    | 8.110    | 2.310      | 5.218      | 6.991 | B1902-057             | B1901-097                | N/A               | B1904-249           | B1903-115           | C5042A                 | B1904-058               | B1903-280               | C6162                      | A2904-001    | 56-0146    | A2392-141    | B1900-026         | D1054-041      | A2656-141             | B2440-010         | 51835          | 22-141                         |
| JD   | 750    |                     | SALT     | 1.440    | 8.110    | 2.310      | 5.218      | 6.991 | B1902-057             | B1901-097                | N/A               | B1904-249           | B1903-115           | C5042A                 | B1904-058               | B1903-280               | C6162                      | A2904-001    | 56-0146    | A2392-141    | B1900-026         | D1054-041      | A2656-141             | B2440-010         | 51835          | 22-141                         |
| JD   | 750    |                     | SEALED   | 1.440    | 8.110    | 2.314      | 5.700      | 6.909 | B1902-169             | B1901-097                | B1905-185         | B1904-249           | B1903-115           | C5042A                 | B1904-058               | B1903-281               | C6145                      | A2904-001    | 56-0146    | A2392-092    | B1900-026         | D1054-041      | A2656-092             | B2440-010         | 51835          | 22-092                         |
| JD   | 755    |                     | SALT     | 1.440    | 8.110    | 2.310      | 5.218      | 6.991 | B1902-057             | B1901-097                | N/A               | B1904-249           | B1903-115           | C5042A                 | B1904-058               | B1903-280               | C6162                      | A2904-001    | 56-0146    | A2392-141    | B1900-026         | D1054-041      | A2656-141             | B2440-010         | 51835          | 22-141                         |
| JD   | 790    |                     | SEALED   | 1.496    | 8.580    | 2.323      | 5.430      | 7.480 | B1902-171             | B1901-097                | B1905-195         | B1904-126           | B1903-282           | C5022                  | B1904-250               | B1903-283               | C6170                      | A2904-001    | 56-0146    | A2392-133    | B1900-002         | D1054-035      | A2656-133             | B2158-007         | 53037          | 22-133                         |
| JD   | 792    |                     | SEALED   | 1.750    | 9.646    | 2.618      | 6.236      | 8.000 | B1902-061             | B1901-060                | B1905-058         | B1904-127           | B1903-124           | C5121                  | B1904-121               | B1903-123               | C6169                      | A2904-001    | 56-0146    | A2392-134    | B1900-025         | D1054-040      | A2656-134             | B2158-008         | 52908          | 22-134                         |
| JD   | 855    |                     | SALT     | 1.881    | 9.882    | 2.811      | 6.409      | 8.500 | B1902-173             | B1901-050                | N/A               | B1904-247           | B1903-278           | C5006                  | B1904-248               | B1903-279               | C6006B                     | A2904-002    | 56-0146    | A2392-140    | B1900-009         | D1096-013      | A2656-140             | B2158-006         | 41955          | 22-140                         |
| JD   | 855    |                     | SEALED   | 1.878    | 9.902    | 2.811      | 6.968      | 8.500 | B1902-168             | B1901-050                | B1905-056         | B1904-247           | B1903-278           | C5006                  | B1904-248               | B1903-279               | C6006B                     | N/A          | 56-0146    | A2392-075    | B1900-009         | D1096-013      | A2656-075             | B2158-006         | 41955          | 22-075                         |
| JD   | 890    |                     | RECESSED | 1.880    | 9.900    | 2.800      | 7.260      | 8.500 | B1902-168             | B1901-150                | N/A               | B1904-615           | B1903-398           | C5227                  | B1904-614               | B1903-575               | C6128                      |              | 56-0146    | A2392-371    | B1900-009         | D1096-013      |                       |                   |                | 22-371                         |
| JD   | 890    |                     | SEALED   | 1.878    | 9.902    | 2.811      | 6.968      | 8.500 | B1902-168             | B1901-050                | B1905-056         | B1904-247           | B1903-278           | C5006                  | B1904-248               | B1903-279               | C6006B                     | N/A          | 56-0146    | A2392-075    | B1900-009         | D1096-013      | A2656-075             | B2158-006         | 41955          | 22-075                         |
| JD   | 990    |                     | SEALED   | 1.878    | 9.902    | 2.811      | 6.968      | 8.500 | B1902-168             | B1901-050                | B1905-056         | B1904-247           | B1903-278           | C5006                  | B1904-248               | B1903-279               | C6006B                     | N/A          | 56-0146    | A2392-075    | B1900-009         | D1096-013      | A2656-075             | B2158-006         | 41955          | 22-075                         |
| JD   | 1010   |                     | FLUSH    | 1.004    | 5.469    | 1.562      | 3.225      | 5.749 | B1902-053             | B1901-057                | N/A               | B1904-114           | B1903-109           | C5064                  | B1904-113               | B1903-108               | C6100                      | N/A          | 56-0146    | A2392-033    | B1900-010         | D1054-005      | A2656-033             | B2158-001         | TBA            | 22-033                         |
| JD   | 1280   | EXC                 |          | 1.439    | 8.110    | 2.313      | 5.917      | 6.900 | B1902-034             | B1901-076                | N/A               | B1904-618           | B1903-577           | C5229                  | B1904-617               | B1903-460               | C6276                      |              | 56-0146    | A2392-373    | B1900-026         | D1054-007      |                       |                   |                | 22-373                         |
| JD   | 2010   | S/N 42001 & UP      | FLUSH    | 1.192    | 5.470    | 1.752      | 3.225      | 5.749 | B1902-051             | B1901-054                | N/A               | B1904-283           | B1903-103           | C5065                  | B1904-282               | B1903-102               | C6057                      | 204050       | 56-0146    | A2392-048A   | B1900-010         | D1054-005      | A2656-048             | B2436             | 40994          | 22-048A                        |
| JD   | 2010   | S/N 42000 & DN      | FLUSH    | 1.004    | 5.469    | 1.562      | 3.225      | 5.749 | B1902-053             | B1901-057                | N/A               | B1904-114           | B1903-109           | C5064                  | B1904-113               | B1903-108               | C6100                      | N/A          | 56-0146    | A2392-033    | B1900-010         | D1054-005      | A2656-033             | B2158-001         | TBA            | 22-033                         |
| JD   | 1050C  |                     |          | 2.000    | 10.310   | 3.000      | 6.380      | 8.500 | B1902-102             | B1901-072                | TBA               | B1904-337           | B1903-379           | C5172                  | B1904-338               | B1903-380               | C6235                      | A2904-002    | 56-0146    | A2392-304    | B1900-009         | D1096-002A     | A2656-304             | B2158-006         | 52878-001      | 22-304                         |
| JD   | 1050J  |                     |          | 2.000    | 10.310   | 3.000      | 6.380      | 8.500 | B1902-102             | B1901-072                | TBA               | B1904-337           | B1903-379           | C5172                  | B1904-338               | B1903-380               | C6235                      | A2904-002    | 56-0146    | A2392-304    | B1900-009         | D1096-002A     | A2656-304             | B2158-006         | 52878-001      | 22-304                         |
| JD   | 1050K  | Snap Ring #AT415139 | SALT     | 1.879    | 9.921    | 2.938      | 6.406      | 8.500 | B2054-019             | B2055-013                | N/A               | B2057-017           | C1166-022           | C5280                  | B2057-014               | C1166-021               | C6152                      |              | 56-0150    | A2392-448    | B1900-009         | D1096-002A     | A2656-448             | B2158-006         | 52878-001      | 22-448                         |
| JD   | 1050K  | Snap Ring #AT468538 | SALT     | 1.879    | 9.921    | 2.938      | 6.406      | 8.500 | B2054-019             | B2055-013                | N/A               | B2057-020           | C1166-022           | C5313                  | B2057-021               | C1166-021               | C6340                      | A2904-002    | 56-0150    | A2392-479    | B1900-009         | D1096-002A     |                       |                   |                | 22-479                         |
| JD   | 1150D  |                     | SALT     | 1.440    | 8.110    | 2.314      | 5.071      | 6.678 | B1902-013             | B1901-076                | N/A               | B1904-619           | B1903-577           | C5215                  | B1904-497               | B1903-460               | C6277                      |              | 56-0146    | A2392-374    | B1900-034         | D1054-043      |                       |                   |                | 22-374                         |
| JD   | 1155D  |                     | SALT     | 1.440    | 8.110    | 2.314      | 5.071      | 6.678 | B1902-013             | B1901-076                | N/A               | B1904-619           | B1903-577           | C5215                  | B1904-497               | B1903-460               | C6277                      |              | 56-0146    | A2392-374    | B1900-034         | D1054-043      |                       |                   |                | 22-374                         |
| JD   | 120C   |                     | SEALED   | 1.319    | 7.008    | 1.984      | 4.540      | 6.750 | B1902-186             | B1901-104                | N/A               | B1904-264           | B1903-113           | C5002B                 | B1904-238               | B1903-302               | C6174                      | A2904-001    | 56-0146    | A2392-216    | B1900-014         | D1054-051      | A2656-216             | B2440-008         | 42101          | 22-216                         |
| JD   | 160LC  |                     | SEALED   | 1.493    | 8.366    | 2.322      | 5.728      | 7.480 | B1902-205             | B1901-097                | N/A               | B1904-299           | B1903-282           | C5042                  | B1904-250               | B1903-336               | C6194                      | A2904-001    | 56-0146    | A2392-252    | B1900-002         | D1054-035      | A2656-252             | B2158-007         | 53037          | 22-252                         |
| JD   | 190E   |                     | SEALED   | 1.190    | 6.102    | 1.820      | 4.071      | 6.063 | B1902-135             | B1901-083                | B1905-098         | B1904-231           | B1903-236           | C5025                  | B1904-211               | B1903-261               | C6175A                     | 204050       | 56-0146    | A2392-200    | B2376-004         | D1054-052      | A2656-200             | B2474-001         | 43072          | 22-200                         |
| JD   | 190E   |                     |          | 1.190    | 6.102    | 1.820      | 4.071      | 6.063 | B1902-268             | B1901-155                | N/A               | B1904-626           | B1903-580           | C5230                  | B1904-625               | B1903-579               | C6181A                     |              | 56-0146    | A2392-377    | B1900-039         | D1054-025      |                       |                   |                | 22-377                         |
| JD   | 200LC  |                     | SEALED   | 1.493    | 8.366    | 2.322      | 5.728      | 7.480 | B1902-205             | B1901-097                | N/A               | B1904-299           | B1903-282           | C5042                  | B1904-250               | B1903-336               | C6194                      | A2904-001    | 56-0146    | A2392-252    | B1900-002         | D1054-035      | A2656-252             | B2158-007         | 53037          | 22-252                         |
| JD   | 230CLC |                     | SEALED   | 1.496    | 8.583    | 2.323      | 5.728      | 7.480 | B1902-187             | B1901-097                | B1905-195         | B1904-266           | B1903-282           | C5023                  | B1904-250               | B1903-304               | C6094                      | A2904-001    | 56-0146    | A2392-219    | B1900-002         | D1054-035      | A2656-219             | B2158-007         | 53037          | 22-219                         |
| JD   | 230LC  |                     | SEALED   | 1.496    | 8.583    | 2.323      | 5.728      | 7.480 | B1902-187             | B1901-097                | B1905-195         | B1904-266           | B1903-282           | C5023                  | B1904-250               | B1903-304               | C6094                      | A2904-001    | 56-0146    | A2392-219    | B1900-002         | D1054-035      | A2656-219             | B2158-007         | 53037          | 22-219                         |
| JD   | 230LC  |                     | SEALED   | 1.493    | 8.366    | 2.322      | 5.728      | 7.480 | B1902-205             | B1901-097                | N/A               | B1904-299           | B1903-282           | C5042                  | B1904-250               | B1903-336               | C6194                      | A2904-001    | 56-0146    | A2392-252    | B1900-002         | D1054-035      | A2656-252             | B2158-007         | 53037          | 22-252                         |
| JD   | 240D   |                     | SEALED   | 1.496    | 8.583    | 2.323      | 5.728      | 7.480 | B1902-187             | B1901-097                | B1905-195         | B1904-266           | B1903-282           | C5023                  | B1904-250               | B1903-304               | C6094                      | A2904-001    | 56-0146    | A2392-219    | B1900-002         | D1054-035      | A2656-219             | B2158-007         | 53037          | 22-219                         |
| JD   | 270CLC |                     | SEALED   | 1.760    | 9.520    | 2.630      | 6.250      | 8.500 | B1902-082             | B1901-045                | N/A               | B1904-386           | B1903-574           | C5162                  | B1904-613               | B1903-429               | C6222                      |              | 56-0146    | A2392-370    | B1900-009         | D1096-015      |                       |                   |                | 22-370                         |
| JD   | 270LC  |                     | SEALED   | 1.750    | 9.646    | 2.618      | 6.236      | 8.000 | B1902-061             | B1901-060                | B1905-058         | B1904-127           | B1903-124           | C5121                  | B1904-121               | B1903-123               | C6169                      | A2904-001    | 56-0146    | A2392-134    | B1900-025         | D1054-040      | A2656-134             | B2158-008         | 52908          | 22-134                         |
| JD   | 290D   |                     | SEALED   | 1.181    | 6.456    | 1.850      | 4.000      | 6.125 | B1902-157             | B1901-083                | B1905-173         | B1904-108           | B1903-264           | C5136                  | B1904-233               | B1903-263               | C6189                      | 204050       | 56-0146    | A2392-201    | B1900-016         | D1054-017      | A2656-201             | B2474-002         | D1292          | 22-201                         |
| JD   | 330CLC |                     | SEALED   | 1.760    | 9.520    | 2.630      | 6.250      | 8.500 | B1902-082             | B1901-045                | N/A               | B1904-386           | B1903-574           | C5162                  | B1904-613               | B1903-429               | C6222                      |              | 56-0146    | A2392-370    | B1900-009         | D1096-015      |                       |                   |                | 22-370                         |
| JD   | 330LC  | EXC                 | SEALED   | 1.760    | 9.520    | 2.630      | 6.250      | 8.500 | B1902-082             | B1901-045                | N/A               | B1904-386           | B1903-574           | C5162                  | B1904-613               | B1903-429               | C6222                      |              | 56-0146    | A2392-370    | B1900-009         | D1096-015      |                       |                   |                | 22-370                         |



### WTC Machinery C-Style Tool Chart

| Make | Model  | Comments        | Type     | Pin Dia. | Pin Len. | Bush. Dia. | Bush. Len. | Pitch | Pin Disass'y Tool (2) | Bushing Disassy Tool (2) | Master Spacer (2) | Pin Assy Holder (2) | Pin Assy Insert (2) | Full Pin Assy Tool (2) | Bushing Assy Holder (2) | Bushing Assy Insert (2) | Full Bushing Assy Tool (2) | Pin Shim (4) | Spring (4) | WTC Tool Set | WTC Mount Bar (2) | WTC Saddle (1) | Track Master Tool Set | T M Mount Bar (2) | T M Saddle (1) | Tool Set No Saddle or Toolbars |
|------|--------|-----------------|----------|----------|----------|------------|------------|-------|-----------------------|--------------------------|-------------------|---------------------|---------------------|------------------------|-------------------------|-------------------------|----------------------------|--------------|------------|--------------|-------------------|----------------|-----------------------|-------------------|----------------|--------------------------------|
| JD   | 350B   |                 | FLUSH    | 1.192    | 5.470    | 1.752      | 3.225      | 5.749 | B1902-051             | B1901-054                | N/A               | B1904-283           | B1903-103           | C5065                  | B1904-282               | B1903-102               | C6057                      | 204050       | 56-0146    | A2392-048A   | B1900-010         | D1054-005      | A2656-048             | B2436             | 40994          | 22-048A                        |
| JD   | 350C   |                 | FLUSH    | 1.192    | 5.470    | 1.752      | 3.225      | 5.749 | B1902-051             | B1901-054                | N/A               | B1904-283           | B1903-103           | C5065                  | B1904-282               | B1903-102               | C6057                      | 204050       | 56-0146    | A2392-048A   | B1900-010         | D1054-005      | A2656-048             | B2436             | 40994          | 22-048A                        |
| JD   | 350D   |                 | SEALED   | 1.192    | 5.380    | 1.752      | 3.225      | 5.749 | B1902-161             | B1901-054                | B1905-108         | B1904-235           | B1903-103           | C5027                  | B1904-107               | B1903-102               | C6176                      | 204050       | 56-0146    | A2392-197    | B1900-010         | D1054-005      | A2656-197             | B2456-197         | 40994          | 22-197                         |
| JD   | 400G   |                 | SEALED   | 1.192    | 5.380    | 1.752      | 3.225      | 5.749 | B1902-161             | B1901-054                | B1905-108         | B1904-235           | B1903-103           | C5027                  | B1904-107               | B1903-102               | C6176                      | 204050       | 56-0146    | A2392-197    | B1900-010         | D1054-005      | A2656-197             | B2456-197         | 40994          | 22-197                         |
| JD   | 420C   |                 | FLUSH    | 1.004    | 5.469    | 1.562      | 3.225      | 5.749 | B1902-053             | B1901-057                | N/A               | B1904-114           | B1903-109           | C5064                  | B1904-113               | B1903-108               | C6100                      | N/A          | 56-0146    | A2392-033    | B1900-010         | D1054-005      | A2656-033             | B2158-001         | TBA            | 22-033                         |
| JD   | 430C   |                 | FLUSH    | 1.004    | 5.469    | 1.562      | 3.225      | 5.749 | B1902-053             | B1901-057                | N/A               | B1904-114           | B1903-109           | C5064                  | B1904-113               | B1903-108               | C6100                      | N/A          | 56-0146    | A2392-033    | B1900-010         | D1054-005      | A2656-033             | B2158-001         | TBA            | 22-033                         |
| JD   | 440IC  |                 | FLUSH    | 1.004    | 5.469    | 1.562      | 3.225      | 5.749 | B1902-053             | B1901-057                | N/A               | B1904-114           | B1903-109           | C5064                  | B1904-113               | B1903-108               | C6100                      | N/A          | 56-0146    | A2392-033    | B1900-010         | D1054-005      | A2656-033             | B2158-001         | TBA            | 22-033                         |
| JD   | 440ICD |                 | FLUSH    | 1.004    | 5.469    | 1.562      | 3.225      | 5.749 | B1902-053             | B1901-057                | N/A               | B1904-114           | B1903-109           | C5064                  | B1904-113               | B1903-108               | C6100                      | N/A          | 56-0146    | A2392-033    | B1900-010         | D1054-005      | A2656-033             | B2158-001         | TBA            | 22-033                         |
| JD   | 450B   | S/N 216337 & DN | RECESSED | 1.376    | 6.080    | 2.008      | 4.380      | 6.290 | B1902-065             | B1901                    | B1905-050         | B1904-307           | B1903-129           | C5056B                 | B1904-237               | B1903-130               | C6091                      | A2904-001    | 56-0146    | A2392-070B   | B1900-017         | D1054-006      | A2656-070             | B2440-007         | 40989          | 22-070B                        |
| JD   | 450C   | S/N 216337 & DN | RECESSED | 1.376    | 6.080    | 2.008      | 4.380      | 6.290 | B1902-065             | B1901                    | B1905-050         | B1904-307           | B1903-129           | C5056B                 | B1904-237               | B1903-130               | C6091                      | A2904-001    | 56-0146    | A2392-070B   | B1900-017         | D1054-006      | A2656-070             | B2440-007         | 40989          | 22-070B                        |
| JD   | 450C   |                 | SALT     | 1.256    | 6.378    | 2.008      | 3.952      | 6.290 | B1902-162             | B1901-066                | N/A               | B1904-133           | B1903-131           | C5014                  | B1904-130               | B1903-130               | C6144                      | 204050       | 56-0146    | A2392-139    | B1900-017         | D1054-006      | A2656-139             | B2440-006         | 40989          | 22-139                         |
| JD   | 450C   | S/N 216338 & UP | SEALED   | 1.376    | 6.200    | 2.128      | 4.240      | 6.290 | B1902-064             | B1901-066                | B1905-049         | B1904-131           | B1903-129           | C5074A                 | B1904-130               | B1903-128               | C6089                      | A2904-001    | 56-0146    | A2392-047A   | B1900-017         | D1054-006      | A2656-047             | B2440-006         | 42155          | 22-047A                        |
| JD   | 450CLC |                 | SEALED   | 1.873    | 10.000   | 2.809      | 6.968      | 8.500 | B1902-156             | B1901-062                | B1905-172         | B1904-664           | B1903-440           | C5087                  | B1904-663               | B1903-561               | C6195                      | A2904-002    | 56-0146    | A2392-202    | B1900-009         | D1096-013      | A2656-202             | B2158-006         | D1119-004      | 22-202                         |
| JD   | 450D   |                 | SALT     | 1.256    | 6.378    | 2.008      | 3.952      | 6.290 | B1902-162             | B1901-066                | N/A               | B1904-133           | B1903-131           | C5014                  | B1904-130               | B1903-130               | C6144                      | 204050       | 56-0146    | A2392-139    | B1900-017         | D1054-006      | A2656-139             | B2440-006         | 40989          | 22-139                         |
| JD   | 450D   |                 | SEALED   | 1.259    | 6.358    | 2.008      | 4.390      | 6.290 | B1902-162             | B1901-066                | B1905-050         | B1904-133           | B1903-131           | C5014                  | B1904-130               | B1903-130               | C6144                      | 204050       | 56-0146    | A2392-139    | B1900-017         | D1054-006      | A2656-139             | B2440-006         | 40989          | 22-139                         |
| JD   | 450E   |                 | SALT     | 1.256    | 6.378    | 2.008      | 3.952      | 6.290 | B1902-162             | B1901-066                | N/A               | B1904-133           | B1903-131           | C5014                  | B1904-130               | B1903-130               | C6144                      | 204050       | 56-0146    | A2392-139    | B1900-017         | D1054-006      | A2656-139             | B2440-006         | 40989          | 22-139                         |
| JD   | 450E   |                 | SEALED   | 1.259    | 6.358    | 2.008      | 4.390      | 6.290 | B1902-162             | B1901-066                | B1905-050         | B1904-133           | B1903-131           | C5014                  | B1904-130               | B1903-130               | C6144                      | 204050       | 56-0146    | A2392-139    | B1900-017         | D1054-006      | A2656-139             | B2440-006         | 40989          | 22-139                         |
| JD   | 450G   |                 | SALT     | 1.256    | 6.378    | 2.008      | 3.952      | 6.290 | B1902-162             | B1901-066                | N/A               | B1904-133           | B1903-131           | C5014                  | B1904-130               | B1903-130               | C6144                      | 204050       | 56-0146    | A2392-139    | B1900-017         | D1054-006      | A2656-139             | B2440-006         | 40989          | 22-139                         |
| JD   | 450G   |                 | SEALED   | 1.259    | 6.358    | 2.008      | 4.390      | 6.290 | B1902-162             | B1901-066                | B1905-050         | B1904-133           | B1903-131           | C5014                  | B1904-130               | B1903-130               | C6144                      | 204050       | 56-0146    | A2392-139    | B1900-017         | D1054-006      | A2656-139             | B2440-006         | 40989          | 22-139                         |
| JD   | 450H   |                 | SALT     | 1.256    | 6.378    | 2.008      | 3.952      | 6.290 | B1902-162             | B1901-066                | N/A               | B1904-133           | B1903-131           | C5014                  | B1904-130               | B1903-130               | C6144                      | 204050       | 56-0146    | A2392-139    | B1900-017         | D1054-006      | A2656-139             | B2440-006         | 40989          | 22-139                         |
| JD   | 450H   |                 | SEALED   | 1.259    | 6.358    | 2.008      | 4.390      | 6.290 | B1902-162             | B1901-066                | B1905-050         | B1904-133           | B1903-131           | C5014                  | B1904-130               | B1903-130               | C6144                      | 204050       | 56-0146    | A2392-139    | B1900-017         | D1054-006      | A2656-139             | B2440-006         | 40989          | 22-139                         |
| JD   | 450J   |                 | SALT     | 1.256    | 6.378    | 2.008      | 3.952      | 6.290 | B1902-162             | B1901-066                | N/A               | B1904-133           | B1903-131           | C5014                  | B1904-130               | B1903-130               | C6144                      | 204050       | 56-0146    | A2392-139    | B1900-017         | D1054-006      | A2656-139             | B2440-006         | 40989          | 22-139                         |
| JD   | 450J   |                 | SEALED   | 1.376    | 6.200    | 2.128      | 4.240      | 6.290 | B1902-064             | B1901-066                | B1905-049         | B1904-131           | B1903-129           | C5074A                 | B1904-130               | B1903-128               | C6089                      | A2904-001    | 56-0146    | A2392-047A   | B1900-017         | D1054-006      | A2656-047             | B2440-006         | 42155          | 22-047A                        |
| JD   | 450J   |                 | SEALED   | 1.259    | 6.358    | 2.008      | 4.390      | 6.290 | B1902-162             | B1901-066                | B1905-050         | B1904-133           | B1903-131           | C5014                  | B1904-130               | B1903-130               | C6144                      | 204050       | 56-0146    | A2392-139    | B1900-017         | D1054-006      | A2656-139             | B2440-006         | 40989          | 22-139                         |
| JD   | 450LC  |                 | SEALED   | 1.873    | 10.000   | 2.809      | 6.968      | 8.500 | B1902-156             | B1901-062                | B1905-172         | B1904-664           | B1903-440           | C5087                  | B1904-663               | B1903-561               | C6195                      | A2904-002    | 56-0146    | A2392-202    | B1900-009         | D1096-013      | A2656-202             | B2158-006         | D1119-004      | 22-202                         |
| JD   | 455D   |                 | SALT     | 1.256    | 6.378    | 2.008      | 3.952      | 6.290 | B1902-162             | B1901-066                | N/A               | B1904-133           | B1903-131           | C5014                  | B1904-130               | B1903-130               | C6144                      | 204050       | 56-0146    | A2392-139    | B1900-017         | D1054-006      | A2656-139             | B2440-006         | 40989          | 22-139                         |
| JD   | 455D   |                 | SEALED   | 1.259    | 6.358    | 2.008      | 4.390      | 6.290 | B1902-162             | B1901-066                | B1905-050         | B1904-133           | B1903-131           | C5014                  | B1904-130               | B1903-130               | C6144                      | 204050       | 56-0146    | A2392-139    | B1900-017         | D1054-006      | A2656-139             | B2440-006         | 40989          | 22-139                         |
| JD   | 455E   |                 | SALT     | 1.256    | 6.378    | 2.008      | 3.952      | 6.290 | B1902-162             | B1901-066                | N/A               | B1904-133           | B1903-131           | C5014                  | B1904-130               | B1903-130               | C6144                      | 204050       | 56-0146    | A2392-139    | B1900-017         | D1054-006      | A2656-139             | B2440-006         | 40989          | 22-139                         |
| JD   | 455E   |                 | SEALED   | 1.259    | 6.358    | 2.008      | 4.390      | 6.290 | B1902-162             | B1901-066                | B1905-050         | B1904-133           | B1903-131           | C5014                  | B1904-130               | B1903-130               | C6144                      | 204050       | 56-0146    | A2392-139    | B1900-017         | D1054-006      | A2656-139             | B2440-006         | 40989          | 22-139                         |
| JD   | 455G   |                 | SALT     | 1.256    | 6.378    | 2.008      | 3.952      | 6.290 | B1902-162             | B1901-066                | N/A               | B1904-133           | B1903-131           | C5014                  | B1904-130               | B1903-130               | C6144                      | 204050       | 56-0146    | A2392-139    | B1900-017         | D1054-006      | A2656-139             | B2440-006         | 40989          | 22-139                         |
| JD   | 455G   |                 | SEALED   | 1.259    | 6.358    | 2.008      | 4.390      | 6.290 | B1902-162             | B1901-066                | B1905-050         | B1904-133           | B1903-131           | C5014                  | B1904-130               | B1903-130               | C6144                      | 204050       | 56-0146    | A2392-139    | B1900-017         | D1054-006      | A2656-139             | B2440-006         | 40989          | 22-139                         |
| JD   | 490D   |                 | SEALED   | 1.319    | 7.008    | 1.984      | 4.540      | 6.750 | B1902-186             | B1901-104                | N/A               | B1904-264           | B1903-113           | C5002B                 | B1904-238               | B1903-302               | C6174                      | A2904-001    | 56-0146    | A2392-216    | B1900-014         | D1054-051      | A2656-216             | B2440-008         | 42101          | 22-216                         |
| JD   | 490E   |                 | SEALED   | 1.330    | 6.700    | 1.990      | 4.618      | 6.730 | B1902-091             | B1901-129                | N/A               | B1904-612           | B1903-573           | C5166                  | B1904-611               | B1903-572               | C6226                      |              | 56-0146    | A2392-369    | B1900-019         | D1054-004      |                       |                   |                | 22-369                         |
| JD   | 550A   |                 | SALT     | 1.256    | 6.378    | 2.008      | 3.952      | 6.290 | B1902-162             | B1901-066                | N/A               | B1904-133           | B1903-131           | C5014                  | B1904-130               | B1903-130               | C6144                      | 204050       | 56-0146    | A2392-139    | B1900-017         | D1054-006      | A2656-139             | B2440-006         | 40989          | 22-139                         |
| JD   | 550A   |                 | SEALED   | 1.259    | 6.358    | 2.008      | 4.390      | 6.290 | B1902-162             | B1901-066                | B1905-050         | B1904-133           | B1903-131           | C5014                  | B1904-130               | B1903-130               | C6144                      | 204050       | 56-0146    | A2392-139    | B1900-017         | D1054-006      | A2656-139             | B2440-006         | 40989          | 22-139                         |
| JD   | 550B   |                 | SALT     | 1.256    | 6.378    | 2.008      | 3.952      | 6.290 | B1902-162             | B1901-066                | N/A               | B1904-133           | B1903-131           | C5014                  | B1904-130               | B1903-130               | C6144                      | 204050       | 56-0146    | A2392-139    | B1900-017         | D1054-006      | A2656-139             | B2440-006         | 40989          | 22-139                         |
| JD   | 550B   |                 | SEALED   | 1.259    | 6.358    | 2.008      | 4.390      | 6.290 | B1902-162             | B1901-066                | B1905-050         | B1904-133           | B1903-131           | C5014                  | B1904-130               | B1903-130               | C6144                      | 204050       | 56-0146    | A2392-139    | B1900-017         | D1054-006      | A2656-139             | B2440-006         | 40989          | 22-139                         |



**WTC Machinery  
C-Style Tool Chart**

| Make | Model  | Comments                | Type     | Pin Dia. | Pin Len. | Bush. Dia. | Bush. Len. | Pitch | Pin Disass'y Tool (2) | Bushing Disassy Tool (2) | Master Spacer (2) | Pin Assy Holder (2) | Pin Assy Insert (2) | Full Pin Assy Tool (2) | Bushing Assy Holder (2) | Bushing Assy Insert (2) | Full Bushing Assy Tool (2) | Pin Shim (4) | Spring (4) | WTC Tool Set | WTC Mount Bar (2) | WTC Saddle (1) | Track Master Tool Set | T M Mount Bar (2) | T M Saddle (1) | Tool Set No Saddle or Toolbars |  |
|------|--------|-------------------------|----------|----------|----------|------------|------------|-------|-----------------------|--------------------------|-------------------|---------------------|---------------------|------------------------|-------------------------|-------------------------|----------------------------|--------------|------------|--------------|-------------------|----------------|-----------------------|-------------------|----------------|--------------------------------|--|
| JD   | 550G   |                         | SALT     | 1.256    | 6.378    | 2.008      | 3.952      | 6.290 | B1902-162             | B1901-066                | N/A               | B1904-133           | B1903-131           | C5014                  | B1904-130               | B1903-130               | C6144                      | 204050       | 56-0146    | A2392-139    | B1900-017         | D1054-006      | A2656-139             | B2440-006         | 40989          | 22-139                         |  |
| JD   | 550G   |                         | SEALED   | 1.259    | 6.358    | 2.008      | 4.390      | 6.290 | B1902-162             | B1901-066                | B1905-050         | B1904-133           | B1903-131           | C5014                  | B1904-130               | B1903-130               | C6144                      | 204050       | 56-0146    | A2392-139    | B1900-017         | D1054-006      | A2656-139             | B2440-006         | 40989          | 22-139                         |  |
| JD   | 550H   |                         | SALT     | 1.256    | 6.378    | 2.008      | 3.952      | 6.290 | B1902-162             | B1901-066                | N/A               | B1904-133           | B1903-131           | C5014                  | B1904-130               | B1903-130               | C6144                      | 204050       | 56-0146    | A2392-139    | B1900-017         | D1054-006      | A2656-139             | B2440-006         | 40989          | 22-139                         |  |
| JD   | 550H   |                         | SEALED   | 1.259    | 6.358    | 2.008      | 4.390      | 6.290 | B1902-162             | B1901-066                | B1905-050         | B1904-133           | B1903-131           | C5014                  | B1904-130               | B1903-130               | C6144                      | 204050       | 56-0146    | A2392-139    | B1900-017         | D1054-006      | A2656-139             | B2440-006         | 40989          | 22-139                         |  |
| JD   | 550J   |                         | SALT     | 1.256    | 6.378    | 2.008      | 3.952      | 6.290 | B1902-162             | B1901-066                | N/A               | B1904-133           | B1903-131           | C5014                  | B1904-130               | B1903-130               | C6144                      | 204050       | 56-0146    | A2392-139    | B1900-017         | D1054-006      | A2656-139             | B2440-006         | 40989          | 22-139                         |  |
| JD   | 555A   |                         | SALT     | 1.256    | 6.378    | 2.008      | 3.952      | 6.290 | B1902-162             | B1901-066                | N/A               | B1904-133           | B1903-131           | C5014                  | B1904-130               | B1903-130               | C6144                      | 204050       | 56-0146    | A2392-139    | B1900-017         | D1054-006      | A2656-139             | B2440-006         | 40989          | 22-139                         |  |
| JD   | 555A   |                         | SEALED   | 1.259    | 6.358    | 2.008      | 4.390      | 6.290 | B1902-162             | B1901-066                | B1905-050         | B1904-133           | B1903-131           | C5014                  | B1904-130               | B1903-130               | C6144                      | 204050       | 56-0146    | A2392-139    | B1900-017         | D1054-006      | A2656-139             | B2440-006         | 40989          | 22-139                         |  |
| JD   | 555B   |                         | SALT     | 1.256    | 6.378    | 2.008      | 3.952      | 6.290 | B1902-162             | B1901-066                | N/A               | B1904-133           | B1903-131           | C5014                  | B1904-130               | B1903-130               | C6144                      | 204050       | 56-0146    | A2392-139    | B1900-017         | D1054-006      | A2656-139             | B2440-006         | 40989          | 22-139                         |  |
| JD   | 555B   |                         | SEALED   | 1.259    | 6.358    | 2.008      | 4.390      | 6.290 | B1902-162             | B1901-066                | B1905-050         | B1904-133           | B1903-131           | C5014                  | B1904-130               | B1903-130               | C6144                      | 204050       | 56-0146    | A2392-139    | B1900-017         | D1054-006      | A2656-139             | B2440-006         | 40989          | 22-139                         |  |
| JD   | 555G   |                         | SALT     | 1.310    | 7.240    | 2.120      | 4.430      | 6.734 | B1902-134             | B1901-093                | N/A               | B1904-230           | B1903-258           | C5089                  | B1904-229               | B1903-259               | C6168                      | A2904-01     | 56-0146    | A2392-217    | B1900-019         | D1054-037      | A2656-217             | B2440-004         | TBA            | 22-217                         |  |
| JD   | 555G   |                         | SEALED   | 1.318    | 7.224    | 2.119      | 4.944      | 6.734 | B1902-133             | B1901-093                | N/A               | B1904-230           | B1903-258           | C5089                  | B1904-229               | B1903-257               | C6061                      | A2904-001    | 56-0146    | A2392-199    | B1900-019         | D1054-037      | A2656-199             | B2440-004         | 42101          | 22-199                         |  |
| JD   | 590D   |                         | SEALED   | 1.378    | 7.598    | 2.116      | 4.819      | 6.750 | B1902-163             | B1901-094                | B1905-180         | B1904-239           | B1903-270           | C5002A                 | B1904-240               | B1903-271               | C6192                      | A2904-001    | 56-0146    | A2392-214    | B1900-014         | D1054-051      | A2656-214             | B2440-008         | D1317          | 22-214                         |  |
| JD   | 590D   | S/N 1787 & UP           | SEALED   | 1.366    | 7.598    | 2.116      | 5.180      | 6.750 | B1902-266             | B1901-071                | N/A               | B1904-616           | B1903-576           | C5142A                 | B1904-607               | B1903-535               | C6275                      |              | 56-0146    | A2392-372    | B1900-014         | D1054-001      |                       |                   |                | 22-372                         |  |
| JD   | 650G   |                         | SALT     | 1.310    | 7.240    | 2.120      | 4.430      | 6.734 | B1902-134             | B1901-093                | N/A               | B1904-230           | B1903-258           | C5089                  | B1904-229               | B1903-259               | C6168                      | A2904-01     | 56-0146    | A2392-217    | B1900-019         | D1054-037      | A2656-217             | B2440-004         | TBA            | 22-217                         |  |
| JD   | 650G   |                         | SEALED   | 1.318    | 7.224    | 2.119      | 4.944      | 6.734 | B1902-133             | B1901-093                | N/A               | B1904-230           | B1903-258           | C5089                  | B1904-229               | B1903-257               | C6061                      | A2904-001    | 56-0146    | A2392-199    | B1900-019         | D1054-037      | A2656-199             | B2440-004         | 42101          | 22-199                         |  |
| JD   | 650H   |                         | SALT     | 1.310    | 7.240    | 2.120      | 4.430      | 6.734 | B1902-134             | B1901-093                | N/A               | B1904-230           | B1903-258           | C5089                  | B1904-229               | B1903-259               | C6168                      | A2904-01     | 56-0146    | A2392-217    | B1900-019         | D1054-037      | A2656-217             | B2440-004         | TBA            | 22-217                         |  |
| JD   | 650H   |                         | SEALED   | 1.318    | 7.224    | 2.119      | 4.944      | 6.734 | B1902-133             | B1901-093                | N/A               | B1904-230           | B1903-258           | C5089                  | B1904-229               | B1903-257               | C6061                      | A2904-001    | 56-0146    | A2392-199    | B1900-019         | D1054-037      | A2656-199             | B2440-004         | 42101          | 22-199                         |  |
| JD   | 650J   |                         | SALT     | 1.310    | 7.240    | 2.120      | 4.430      | 6.734 | B1902-134             | B1901-093                | N/A               | B1904-230           | B1903-258           | C5089                  | B1904-229               | B1903-259               | C6168                      | A2904-01     | 56-0146    | A2392-217    | B1900-019         | D1054-037      | A2656-217             | B2440-004         | TBA            | 22-217                         |  |
| JD   | 650J   |                         | SEALED   | 1.318    | 7.224    | 2.119      | 4.944      | 6.734 | B1902-133             | B1901-093                | N/A               | B1904-230           | B1903-258           | C5089                  | B1904-229               | B1903-257               | C6061                      | A2904-001    | 56-0146    | A2392-199    | B1900-019         | D1054-037      | A2656-199             | B2440-004         | 42101          | 22-199                         |  |
| JD   | 650K   |                         | SALT     | 1.310    | 7.386    | 2.236      | 4.543      | 6.750 | B1902-193             | B1901-079                | N/A               |                     |                     | C5264                  |                         |                         | C6304                      |              |            |              | B1900-019         | D1054-037      |                       |                   |                |                                |  |
| JD   | 655B   |                         | SALT     | 1.440    | 8.110    | 2.310      | 5.218      | 6.991 | B1902-057             | B1901-097                | N/A               | B1904-249           | B1903-115           | C5042A                 | B1904-058               | B1903-280               | C6162                      | A2904-001    | 56-0146    | A2392-141    | B1900-008         | D1054-041      | A2656-141             | B2440-010         | 51835          | 22-141                         |  |
| JD   | 655B   |                         | SEALED   | 1.440    | 8.110    | 2.314      | 5.700      | 6.909 | B1902-169             | B1901-097                | B1905-185         | B1904-249           | B1903-115           | C5042A                 | B1904-058               | B1903-281               | C6145                      | A2904-001    | 56-0146    | A2392-092    | B1900-026         | D1054-041      | A2656-092             | B2440-010         | 51835          | 22-092                         |  |
| JD   | 690A   |                         | RECESSED | 1.320    | 6.970    | 1.990      | 5.000      | 6.750 | B1902-167             | B1901-096                | B1905-183         | B1904-245           | B1903-276           | C5074B                 | B1904-246               | B1903-277               | C6096                      | A2904-001    | 56-0146    | A2392-078    | B1900-019         | D1054-037      | A2656-078             | B2440-004         | 42101          | 22-078                         |  |
| JD   | 690B   |                         | RECESSED | 1.320    | 6.970    | 1.990      | 5.000      | 6.750 | B1902-167             | B1901-096                | B1905-183         | B1904-245           | B1903-276           | C5074B                 | B1904-246               | B1903-277               | C6096                      | A2904-001    | 56-0146    | A2392-078    | B1900-019         | D1054-037      | A2656-078             | B2440-004         | 42101          | 22-078                         |  |
| JD   | 690C   |                         | RECESSED | 1.320    | 6.970    | 1.990      | 5.000      | 6.750 | B1902-167             | B1901-096                | B1905-183         | B1904-245           | B1903-276           | C5074B                 | B1904-246               | B1903-277               | C6096                      | A2904-001    | 56-0146    | A2392-078    | B1900-019         | D1054-037      | A2656-078             | B2440-004         | 42101          | 22-078                         |  |
| JD   | 690D   |                         | RECESSED | 1.320    | 6.970    | 1.990      | 5.000      | 6.750 | B1902-167             | B1901-096                | B1905-183         | B1904-245           | B1903-276           | C5074B                 | B1904-246               | B1903-277               | C6096                      | A2904-001    | 56-0146    | A2392-078    | B1900-019         | D1054-037      | A2656-078             | B2440-004         | 42101          | 22-078                         |  |
| JD   | 690E   |                         | SEALED   | 1.437    | 8.150    | 2.311      | 5.835      | 7.480 | B1902-209             | B1901-097                | B1905-185         | B1904-249           | B1903-341           | C5079                  | B1904-058               | B1903-340               | C6193                      | A2904-001    | 56-0146    | A2392-276    | B1900-002         | D1054-027A     | A2656-276             | B2158-007         | D1388          | 22-276                         |  |
| JD   | 690ELC |                         | SEALED   | 1.437    | 8.150    | 2.311      | 5.835      | 7.480 | B1902-209             | B1901-097                | B1905-185         | B1904-249           | B1903-341           | C5079                  | B1904-058               | B1903-340               | C6193                      | A2904-001    | 56-0146    | A2392-276    | B1900-002         | D1054-027A     | A2656-276             | B2158-007         | D1388          | 22-276                         |  |
| JD   | 693B   |                         | RECESSED | 1.320    | 6.970    | 1.990      | 5.000      | 6.750 | B1902-167             | B1901-096                | B1905-183         | B1904-245           | B1903-276           | C5074B                 | B1904-246               | B1903-277               | C6096                      | A2904-001    | 56-0146    | A2392-078    | B1900-019         | D1054-037      | A2656-078             | B2440-004         | 42101          | 22-078                         |  |
| JD   | 700H   |                         | SALT     | 1.440    | 8.110    | 2.310      | 5.213      | 6.991 | B1902-057             | B1901-097                | N/A               | B1904-249           | B1903-115           | C5042A                 | B1904-058               | B1903-280               | C6162                      | A2904-001    | 56-0146    | A2392-141    | B1900-026         | D1054-041      | A2656-141             | B2440-010         | 51835          | 22-141                         |  |
| JD   | 700H   |                         | SEALED   | 1.440    | 8.110    | 2.440      | 5.700      | 6.909 | B1902-169             | B1901-097                | B1905-185         | B1904-249           | B1903-115           | C5042A                 | B1904-058               | B1903-281               | C6145                      | A2904-001    | 56-0146    | A2392-092    | B1900-026         | D1054-041      | A2656-092             | B2440-010         | 51835          | 22-092                         |  |
| JD   | 700J   |                         | SALT     | 1.440    | 8.110    | 2.410      | 5.218      | 6.991 | B1902-057             | B1901-097                | N/A               | B1904-249           | B1903-115           | C5042A                 | B1904-058               | B1903-280               | C6162                      | A2904-001    | 56-0146    | A2392-141    | B1900-026         | D1054-041      | A2656-141             | B2440-010         | 51835          | 22-141                         |  |
| JD   | 70D    |                         | SEALED   | 1.190    | 6.102    | 1.820      | 4.071      | 6.063 | B1902-135             | B1901-083                | B1905-099         | B1904-231           | B1903-236           | C5025                  | B1904-211               | B1903-260               | C6175                      | 204050       | 56-0146    | A2392-218    | B1900-021         | D1054-052      | A2656-218             | B2474-001         | 43072          | 22-218                         |  |
| JD   | 750B   |                         | SALT     | 1.440    | 8.110    | 2.310      | 5.218      | 6.991 | B1902-057             | B1901-097                | N/A               | B1904-249           | B1903-115           | C5042A                 | B1904-058               | B1903-280               | C6162                      | A2904-001    | 56-0146    | A2392-141    | B1900-026         | D1054-041      | A2656-141             | B2440-010         | 51835          | 22-141                         |  |
| JD   | 750B   |                         | SEALED   | 1.440    | 8.110    | 2.314      | 5.700      | 6.909 | B1902-169             | B1901-097                | B1905-185         | B1904-249           | B1903-115           | C5042A                 | B1904-058               | B1903-281               | C6145                      | A2904-001    | 56-0146    | A2392-092    | B1900-026         | D1054-041      | A2656-092             | B2440-010         | 51835          | 22-092                         |  |
| JD   | 750J   |                         | SALT     | 1.496    | 9.390    | 2.480      | 5.300      | 7.480 | B1902-229             | B1901-136                | TBA               | B1904-333           | B1903-375           | C5080                  | B1904-334               | B1903-376               | C6242                      | A2904-001    | 56-0146    | A2392-302    | B1900-002         | D1054-027A     | A2656-302             | B2158-007         | 52876-002      | 22-302                         |  |
| JD   | 750J/K | Berco Extended Pin Boss | SALT     | 1.496    | 9.390    | 2.496      | 5.300      | 7.480 | B1902-229             | B1901-171                | N/A               | B1904-333           | B1904-375           | C5080                  | B1904-691               | B1903-607               | C6307                      | A2904-001    |            | A2392-444    | B1900-002         | D1054-027A     |                       |                   |                | 22-444                         |  |



**WTC Machinery  
C-Style Tool Chart**

| Make    | Model   | Comments                | Type     | Pin Dia. | Pin Len. | Bush. Dia. | Bush. Len. | Pitch  | Pin Disass'y Tool (2) | Bushing Disassy Tool (2) | Master Spacer (2) | Pin Assy Holder (2) | Pin Assy Insert (2) | Full Pin Assy Tool (2) | Bushing Assy Holder (2) | Bushing Assy Insert (2) | Full Bushing Assy Tool (2) | Pin Shim (4) | Spring (4) | WTC Tool Set | WTC Mount Bar (2) | WTC Saddle (1) | Track Master Tool Set | T M Mount Bar (2) | T M Saddle (1) | Tool Set No Saddle or Toolbars |
|---------|---------|-------------------------|----------|----------|----------|------------|------------|--------|-----------------------|--------------------------|-------------------|---------------------|---------------------|------------------------|-------------------------|-------------------------|----------------------------|--------------|------------|--------------|-------------------|----------------|-----------------------|-------------------|----------------|--------------------------------|
| JD      | 755A    |                         | SALT     | 1.753    | 9.060    | 2.621      | 5.790      | 7.984  | B1902-058             | B1901-061                | N/A               | B1904-122           | B1903-117           | C5099                  | B1904-121               | B1903-118               | C6016                      | 26876        | 56-0146    | A2392-221    | B1900-015         | D1054-032B     | A2656-221             | B2158-005         | 52877          | 22-221                         |
| JD      | 755A    |                         | SEALED   | 1.753    | 9.130    | 2.620      | 6.366      | 7.984  | B1902-183             | B1901-061                | B1905-055         | B1904-122           | B1903-117           | C5099                  | B1904-121               | B1903-116               | C6116                      | A2904-001    | 56-0146    | A2392-081    | B1900-015         | D1054-031      | A2656-081             | B2158-005         | 52877-001      | 22-081                         |
| JD      | 755B    |                         | SALT     | 1.753    | 9.060    | 2.621      | 5.790      | 7.984  | B1902-058             | B1901-061                | N/A               | B1904-122           | B1903-117           | C5099                  | B1904-121               | B1903-118               | C6016                      | 26876        | 56-0146    | A2392-221    | B1900-015         | D1054-032B     | A2656-221             | B2158-005         | 52877          | 22-221                         |
| JD      | 755B    |                         | SEALED   | 1.440    | 8.110    | 2.314      | 5.700      | 6.909  | B1902-169             | B1901-097                | B1905-185         | B1904-249           | B1903-115           | C5042A                 | B1904-058               | B1903-281               | C6145                      | A2904-001    | 56-0146    | A2392-092    | B1900-026         | D1054-041      | A2656-092             | B2440-010         | 51835          | 22-092                         |
| JD      | 755B    |                         | SEALED   | 1.753    | 9.130    | 2.620      | 6.366      | 7.984  | B1902-183             | B1901-061                | B1905-055         | B1904-122           | B1903-117           | C5099                  | B1904-121               | B1903-116               | C6116                      | A2904-001    | 56-0146    | A2392-081    | B1900-015         | D1054-031      | A2656-081             | B2158-005         | 52877-001      | 22-081                         |
| JD      | 755C    |                         | SALT     | 1.753    | 9.060    | 2.621      | 5.790      | 7.984  | B1902-058             | B1901-061                | N/A               | B1904-122           | B1903-117           | C5099                  | B1904-121               | B1903-118               | C6016                      | 26876        | 56-0146    | A2392-221    | B1900-015         | D1054-032B     | A2656-221             | B2158-005         | 52877          | 22-221                         |
| JD      | 790CLC  |                         | SEALED   | 1.493    | 8.366    | 2.322      | 5.728      | 7.480  | B1902-205             | B1901-097                | N/A               | B1904-299           | B1903-282           | C5042                  | B1904-250               | B1903-336               | C6194                      | A2904-001    | 56-0146    | A2392-252    | B1900-002         | D1054-035      | A2656-252             | B2158-007         | 53037          | 22-252                         |
| JD      | 790D    |                         | SEALED   | 1.496    | 8.583    | 2.323      | 5.728      | 7.480  | B1902-187             | B1901-097                | B1905-195         | B1904-266           | B1903-282           | C5023                  | B1904-250               | B1903-304               | C6094                      | A2904-001    | 56-0146    | A2392-219    | B1900-002         | D1054-035      | A2656-219             | B2158-007         | 53037          | 22-219                         |
| JD      | 790E    |                         | SEALED   | 1.493    | 8.366    | 2.322      | 5.728      | 7.480  | B1902-205             | B1901-097                | N/A               | B1904-299           | B1903-282           | C5042                  | B1904-250               | B1903-336               | C6194                      | A2904-001    | 56-0146    | A2392-252    | B1900-002         | D1054-035      | A2656-252             | B2158-007         | 53037          | 22-252                         |
| JD      | 792C    |                         | SEALED   | 1.750    | 9.646    | 2.618      | 6.236      | 8.000  | B1902-061             | B1901-060                | B1905-058         | B1904-127           | B1903-124           | C5121                  | B1904-121               | B1903-123               | C6169                      | A2904-001    | 56-0146    | A2392-134    | B1900-025         | D1054-040      | A2656-134             | B2158-008         | 52908          | 22-134                         |
| JD      | 792D    |                         | SEALED   | 1.750    | 9.646    | 2.618      | 6.236      | 8.000  | B1902-061             | B1901-060                | B1905-058         | B1904-127           | B1903-124           | C5121                  | B1904-121               | B1903-123               | C6169                      | A2904-001    | 56-0146    | A2392-134    | B1900-025         | D1054-040      | A2656-134             | B2158-008         | 52908          | 22-134                         |
| JD      | 80C     |                         | SEALED   | 0.950    | 5.157    | 1.624      | 3.189      | 6.062  | B1902-267             | B1901-158                | N/A               | B1904-622           | B1903-523           | C5074                  | B1904-621               | B1903-578               | C6230                      |              | 56-0146    | A2392-375    | B1900-039         | D1054-025      |                       |                   |                | 22-375                         |
| JD      | 850B    |                         | SALT     | 1.753    | 9.060    | 2.621      | 5.790      | 7.984  | B1902-058             | B1901-061                | N/A               | B1904-122           | B1903-117           | C5099                  | B1904-121               | B1903-118               | C6016                      | 26876        | 56-0146    | A2392-221    | B1900-015         | D1054-032B     | A2656-221             | B2158-005         | 52877          | 22-221                         |
| JD      | 850B    |                         | SEALED   | 1.753    | 9.130    | 2.620      | 6.366      | 7.984  | B1902-183             | B1901-061                | B1905-055         | B1904-122           | B1903-117           | C5099                  | B1904-121               | B1903-116               | C6116                      | A2904-001    | 56-0146    | A2392-081    | B1900-015         | D1054-031      | A2656-081             | B2158-005         | 52877-001      | 22-081                         |
| JD      | 850C    |                         | SALT     | 1.753    | 9.060    | 2.621      | 5.790      | 7.984  | B1902-058             | B1901-061                | N/A               | B1904-122           | B1903-117           | C5099                  | B1904-121               | B1903-118               | C6016                      | 26876        | 56-0146    | A2392-221    | B1900-015         | D1054-032B     | A2656-221             | B2158-005         | 52877          | 22-221                         |
| JD      | 850C    |                         | SEALED   | 1.753    | 9.130    | 2.620      | 6.366      | 7.984  | B1902-183             | B1901-061                | B1905-055         | B1904-122           | B1903-117           | C5099                  | B1904-121               | B1903-116               | C6116                      | A2904-001    | 56-0146    | A2392-081    | B1900-015         | D1054-031      | A2656-081             | B2158-005         | 52877-001      | 22-081                         |
| JD      | 850J    |                         | SALT     | 1.750    | 10.315   | 2.756      | 5.882      | 8.000  | B1902-230             | B1901-137                | TBA               | B1904-335           | B1903-377           | C5175                  | B1904-336               | B1903-378               | C6240                      | A2904-001    | 56-0146    | A2392-303    | B1900-025         | D1054-040      | A2656-303             | B2158-008         | 52877          | 22-303                         |
| JD      | 850J/K  | Berco Extended Pin Boss | SALT     | 1.750    | 10.315   | 2.756      | 5.882      | 8.000  | B1902-230             | B1901-137                | N/A               | B1904-335           | B1903-377           | C5175                  | B1904-692               | B1903-608               | C6240A                     | A2904-001    |            | A2392-445    | B1900-025         | D1054-053      |                       |                   |                | 22-445                         |
| JD      | 890A    |                         | SEALED   | 1.878    | 9.902    | 2.811      | 6.968      | 8.500  | B1902-168             | B1901-050                | B1905-056         | B1904-247           | B1903-278           | C5006                  | B1904-248               | B1903-279               | C6006B                     | N/A          | 56-0146    | A2392-075    | B1900-009         | D1096-013      | A2656-075             | B2158-006         | 41955          | 22-075                         |
| JD      | 892DLC  |                         | SEALED   | 1.750    | 9.646    | 2.618      | 6.236      | 8.000  | B1902-061             | B1901-060                | B1905-058         | B1904-127           | B1903-124           | C5121                  | B1904-121               | B1903-123               | C6169                      | A2904-001    | 56-0146    | A2392-134    | B1900-025         | D1054-040      | A2656-134             | B2158-008         | 52908          | 22-134                         |
| JD      | 892E    |                         | SEALED   | 1.750    | 9.646    | 2.618      | 6.236      | 8.000  | B1902-061             | B1901-060                | B1905-058         | B1904-127           | B1903-124           | C5121                  | B1904-121               | B1903-123               | C6169                      | A2904-001    | 56-0146    | A2392-134    | B1900-025         | D1054-040      | A2656-134             | B2158-008         | 52908          | 22-134                         |
| JD      | 950J    |                         | SALT     | 1.870    | 10.860   | 3.090      | 6.140      | 8.500  | B1902-018             | B1901-026                | N/A               | B1904-624           | B1903-440           | C5189                  | B1904-623               | B1903-633               | C6249                      |              | 56-0146    | A2392-376    | B1900-009         | D1096-002A     |                       | B2158-006         |                | 22-376                         |
| JD      | 950K    | Berco Extended Pin Boss | SALT     | 1.875    | 10.866   | 3.091      | 6.138      | 8.500  | B1902-018             | B1901-174                | N/A               | B1904-742           | B1903-440           | C5321                  | B1904-623               | B1903-633               | C6249                      |              | 56-0150    | A2392-486    | B1900-009         | D1096-002A     |                       |                   |                | 22-486                         |
| JD      | 992E    |                         | SEALED   | 1.873    | 10.000   | 2.809      | 6.968      | 8.500  | B1902-156             | B1901-062                | B1905-172         | B1904-664           | B1903-440           | C5087                  | B1904-663               | B1903-561               | C6195                      | A2904-002    | 56-0146    | A2392-202    | B1900-009         | D1096-013      | A2656-202             | B2158-006         | D1119-004      | 22-202                         |
| JD      | EX120   |                         | SEALED   | 1.319    | 7.008    | 1.984      | 4.540      | 6.750  | B1902-186             | B1901-104                | N/A               | B1904-264           | B1903-113           | C5002B                 | B1904-238               | B1903-302               | C6174                      | A2904-001    | 56-0146    | A2392-216    | B1900-014         | D1054-051      | A2656-216             | B2440-008         | 42101          | 22-216                         |
| JD      | EX120-2 |                         | SEALED   | 1.330    | 6.700    | 1.990      | 4.618      | 6.730  | B1902-091             | B1901-129                | N/A               | B1904-612           | B1903-573           | C5166                  | B1904-611               | B1903-572               | C6226                      |              | 56-0146    | A2392-369    | B1900-019         | D1054-004      |                       |                   |                | 22-369                         |
| JD      | EX150   |                         | SEALED   | 1.378    | 7.598    | 2.116      | 4.819      | 6.750  | B1902-163             | B1901-094                | B1905-180         | B1904-239           | B1903-270           | C5002A                 | B1904-240               | B1903-271               | C6192                      | A2904-001    | 56-0146    | A2392-214    | B1900-014         | D1054-051      | A2656-214             | B2440-008         | D1317          | 22-214                         |
| JD      | JD700H  | LGP                     | SALT     | 1.440    | 8.110    | 2.440      | 5.218      | 6.991  | B1902-057             | B1901-097                | N/A               | B1904-249           | B1903-115           | C5042A                 | B1904-058               | B1903-280               | C6162                      | A2904-001    | 56-0146    | A2392-141    | B1900-026         | D1054-041      | A2656-141             | B2440-010         | 51835          | 22-141                         |
| JD      | 992D    |                         | SEALED   | 1.873    | 10.000   | 2.809      | 6.968      | 8.500  | B1902-156             | B1901-062                | B1905-172         | B1904-664           | B1903-440           | C5087                  | B1904-663               | B1903-561               | C6195                      | A2904-002    | 56-0146    | A2392-202    | B1900-009         | D1096-013      | A2656-202             | B2158-006         | D1119-004      | 22-202                         |
| Kobelco | K909A   |                         | UNSEALED | 1.496    | 8.580    | 2.171      | 5.980      | 7.480  | B1902-128             | B1901-229                | N/A               | B1904-759           | B1903-636           | C5331                  | B1904-760               | B1903-189               | C6352                      | A2904-002    | 56-0146    | A2392-495    | B1900-002         | D1054-056      |                       |                   |                | 22-495                         |
| KOM     | D455A-1 | S/N 1090-1333           | SALT     | 2.760    | 14.370   | 4.449      | 9.760      | 12.500 | B1902-245             | B1901-165                | N/A               | B1904-448           | B1903-487           | C5090                  | B1904-642               | B1903-588               | C6140                      |              | 56-0150    | A2392-410    | C1000-005         | D1092-002      |                       |                   |                | 22-410                         |
| KOM     | EX1800  | 133 mm                  | SALT     | 2.760    | 14.450   | 4.560      | 9.610      | 12.510 | B1902-245             | B1901-152                | N/A               | B1904-448           | B1903-487           | C5090                  | B1904-479               | B1903-513               | C6183                      |              | 56-0150    | A2392-314    | C1000-005         | D1092-002      |                       |                   |                | 22-314                         |
| KOM     | PC1800  | 133 mm                  | SALT     | 2.760    | 14.450   | 4.560      | 9.610      | 12.510 | B1902-245             | B1901-152                | N/A               | B1904-448           | B1903-487           | C5090                  | B1904-479               | B1903-513               | C6183                      |              | 56-0150    | A2392-314    | C1000-005         | D1092-002      |                       |                   |                | 22-314                         |
| KOM     | D120-15 |                         | SEALED   | 1.988    | 11.300   | 2.854      | 8.110      | 9.000  | B1902-243             | B1901-150                | N/A               | B1904-431           | B1903-471           | C5055A                 | B1904-432               | B1903-472               | C6083                      |              | 56-0146    | A2392-398    | B1900-006         | D1096-004      |                       |                   |                | 22-398                         |
| KOM     | D120-18 |                         | SEALED   | 1.988    | 11.300   | 2.854      | 8.110      | 9.000  | B1902-243             | B1901-150                | N/A               | B1904-431           | B1903-471           | C5055A                 | B1904-432               | B1903-472               | C6083                      |              | 56-0146    | A2392-398    | B1900-006         | D1096-004      |                       |                   |                | 22-398                         |
| KOM     | D120-8  |                         | SEALED   | 1.988    | 11.300   | 2.854      | 8.110      | 9.000  | B1902-243             | B1901-150                | N/A               | B1904-431           | B1903-471           | C5055A                 | B1904-432               | B1903-472               | C6083                      |              | 56-0146    | A2392-398    | B1900-006         | D1096-004      |                       |                   |                | 22-398                         |
| KOM     | D125-18 |                         | RECESSED | 1.988    | 11.300   | 2.854      | 8.110      | 9.000  | B1902-243             | B1901-150                | N/A               | B1904-431           | B1903-471           | C5055A                 | B1904-435               | B1903-475               | C6280                      |              | 56-0146    | A2392-416    | B1900-006         | D1096-004      |                       |                   |                | 22-416                         |



**WTC Machinery  
C-Style Tool Chart**

| Make | Model       | Comments        | Type      | Pin Dia. | Pin Len. | Bush. Dia. | Bush. Len. | Pitch  | Pin Disass'y Tool (2) | Bushing Disassy Tool (2) | Master Spacer (2) | Pin Assy Holder (2) | Pin Assy Insert (2) | Full Pin Assy Tool (2) | Bushing Assy Holder (2) | Bushing Assy Insert (2) | Full Bushing Assy Tool (2) | Pin Shim (4) | Spring (4) | WTC Tool Set | WTC Mount Bar (2) | WTC Saddle (1) | Track Master Tool Set | T M Mount Bar (2) | T M Saddle (1) | Tool Set No Saddle or Toolbars |
|------|-------------|-----------------|-----------|----------|----------|------------|------------|--------|-----------------------|--------------------------|-------------------|---------------------|---------------------|------------------------|-------------------------|-------------------------|----------------------------|--------------|------------|--------------|-------------------|----------------|-----------------------|-------------------|----------------|--------------------------------|
| KOM  | D150        |                 | SALT      | 1.909    | 11.570   | 3.031      | 7.570      | 9.000  | B1902-050             | B1901-053                | B1905-048         | B1904-106           | B1903-101           | C5055                  | B1904-105               | B1903-100               | C6125                      | N/A          | 56-0146    | A2392-027    | B1900-006         | D1096-010      | A2656-027             | B2158-012         | 42826          | 22-027                         |
| KOM  | D150        | S/N 10263 +     | SALT      | 1.909    | 11.570   | 3.031      | 7.570      | 9.000  | B1902-050             | B1901-053                | B1905-048         | B1904-106           | B1903-101           | C5055                  | B1904-105               | B1903-100               | C6125                      | N/A          | 56-0146    | A2392-027    | B1900-006         | D1096-010      | A2656-027             | B2158-012         | 42826          | 22-027                         |
| KOM  | D150-1      |                 | UNSEALED  | 1.988    | 11.299   | 2.854      | 8.110      | 9.000  | B1902-243             | B1901-150                | N/A               | B1904-431           | B1903-471           | C5055A                 | B1904-432               | B1903-472               | C6083                      |              | 56-0146    | A2392-398    | B1900-006         | D1096-004      |                       |                   |                | 22-398                         |
| KOM  | D150-1      |                 | UNSEALED  | 1.929    | 11.535   | 3.031      | 8.267      | 9.000  | B1902-033             | B1901-074                | N/A               | B1904-433           | B1903-473           | C5086                  | B1904-434               | B1903-474               | C6122                      |              | 56-0146    | A2392-399    | B1900-006         | D1096-004      |                       |                   |                | 22-399                         |
| KOM  | D155        |                 | SALT      | 1.909    | 11.570   | 3.031      | 7.570      | 9.000  | B1902-050             | B1901-053                | B1905-048         | B1904-106           | B1903-101           | C5055                  | B1904-105               | B1903-100               | C6125                      | N/A          | 56-0146    | A2392-027    | B1900-006         | D1096-010      | A2656-027             | B2158-012         | 42826          | 22-027                         |
| KOM  | D155        | S/N 10263 +     | SALT      | 1.909    | 11.570   | 3.031      | 7.570      | 9.000  | B1902-050             | B1901-053                | B1905-048         | B1904-106           | B1903-101           | C5055                  | B1904-105               | B1903-100               | C6125                      | N/A          | 56-0146    | A2392-027    | B1900-006         | D1096-010      | A2656-027             | B2158-012         | 42826          | 22-027                         |
| KOM  | D155        |                 | SEALED    | 1.988    | 11.300   | 2.854      | 8.110      | 9.000  | B1902-243             | B1901-150                | N/A               | B1904-431           | B1903-471           | C5055A                 | B1904-432               | B1903-472               | C6083                      |              | 56-0146    | A2392-398    | B1900-006         | D1096-004      |                       |                   |                | 22-398                         |
| KOM  | D155-1      | S/N 6843 & UP   | UNSEALED  | 1.929    | 11.535   | 3.031      | 8.267      | 9.000  | B1902-033             | B1901-074                | N/A               | B1904-433           | B1903-473           | C5086                  | B1904-434               | B1903-474               | C6122                      |              | 56-0146    | A2392-399    | B1900-006         | D1096-004      |                       |                   |                | 22-399                         |
| KOM  | D155-1      | S/N 19065 & UP  | SALT      | 1.909    | 11.574   | 3.110      | 7.398      | 9.000  | B1902-105             | B1901-006                | N/A               | B1904-436           | B1903-476           | C5087B                 | B1904-437               | B1903-477               | C6139                      |              | 56-0146    | A2392-402    | B1900-006         | D1096-004      |                       |                   |                | 22-402                         |
| KOM  | D155-1      | S/N 10263-19064 | SEALED    | 1.907    | 11.575   | 3.110      | 7.571      | 9.000  | B1902-084             | B1901-072                | N/A               | B1904-636           | B1903-120           | C5087A                 | B1904-635               | B1903-477               | C6124                      |              | 56-0146    | A2392-400    | B1900-006         | D1096-004      |                       |                   |                | 22-400                         |
| KOM  | D155-1      | S/N 6842 & DN   | UNSEALED  | 1.988    | 11.299   | 2.854      | 8.110      | 9.000  | B1902-243             | B1901-150                | N/A               | B1904-431           | B1903-471           | C5055A                 | B1904-432               | B1903-472               | C6083                      |              | 56-0146    | A2392-398    | B1900-006         | D1096-004      |                       |                   |                | 22-398                         |
| KOM  | D155A       |                 | SALT      | 1.909    | 11.570   | 3.031      | 7.570      | 9.000  | B1902-050             | B1901-053                | B1905-048         | B1904-106           | B1903-101           | C5055                  | B1904-105               | B1903-100               | C6125                      | N/A          | 56-0146    | A2392-027    | B1900-006         | D1096-010      | A2656-027             | B2158-012         | 42826          | 22-027                         |
| KOM  | D155A-1     | S/N 2540-10262  | SEALED    | 1.909    | 11.300   | 3.011      | 7.540      | 9.000  | B1902-085             | B1901-026                | N/A               | B1904-638           | B1903-476           | C5055B                 | B1904-637               | B1903-587               | C6123                      |              | 56-0146    | A2392-401    | B1900-006         | D1096-004      |                       |                   |                | 22-401                         |
| KOM  | D155A-2     |                 | SALT      | 1.909    | 11.574   | 3.110      | 7.398      | 9.000  | B1902-105             | B1901-006                | N/A               | B1904-436           | B1903-476           | C5087B                 | B1904-437               | B1903-477               | C6139                      |              | 56-0146    | A2392-402    | B1900-006         | D1096-004      |                       |                   |                | 22-402                         |
| KOM  | D155A-2/A-3 | Berco KM1267A   | SALT      | 1.921    | 11.496   | 3.189      | 7.398      | 9.000  | B1902-243             | B1901-212                | N/A               | B1904-730           | B1903-473           | C5305                  | B1904-731               | B1903-629               | C6332                      | A2904-003    | 56-0146    | A2392-472    | B1900-006         | D1096-009      |                       |                   |                | 22-472                         |
| KOM  | D155AX-6    |                 | SALT      | 1.933    | 11.417   | 3.051      | 7.402      | 9.055  | B1902-243             | B1901-202                | N/A               | B1904-431           | B1903-613           | C5286                  | B1904-707               | D1903-614               | C6315                      | A2904-003    | 56-0146    | A2392-455    | B1900-046         | D1096-004      |                       |                   |                | 22-455                         |
| KOM  | D20         |                 | DRY       | 0.945    | 5.630    | 1.614      | 3.185      | 5.310  | B1902-089             | B1901-077                | B1905-071         | B1904-170           | B1903-169           | C5123                  | B1904-171               | B1903-171               | C6172                      | N/A          | 56-0146    | A2392-003    | B1900-028         | D1054-042      | A2656-003             | B2546-002         | D1281-006      | 22-003                         |
| KOM  | D20         | CURRENT         | SALT      | 0.945    | 5.550    | 1.600      | 3.020      | 5.310  | B1902-088             | B1901-077                | B1905-070         | B1904-170           | B1903-168           | C5123                  | B1904-171               | B1903-170               | C6115A                     | N/A          | 56-0146    | A2392-060    | B1900-028         | D1054-042      | A2656-060             | B2546-002         | D1281-006      | 22-060                         |
| KOM  | D21         |                 | DRY       | 0.945    | 5.630    | 1.614      | 3.185      | 5.310  | B1902-089             | B1901-077                | B1905-071         | B1904-170           | B1903-169           | C5123                  | B1904-171               | B1903-171               | C6172                      | N/A          | 56-0146    | A2392-003    | B1900-028         | D1054-042      | A2656-003             | B2546-002         | D1281-006      | 22-003                         |
| KOM  | D21         | CURRENT         | SALT      | 0.945    | 5.550    | 1.600      | 3.020      | 5.310  | B1902-088             | B1901-077                | B1905-070         | B1904-170           | B1903-168           | C5123                  | B1904-171               | B1903-170               | C6115A                     | N/A          | 56-0146    | A2392-060    | B1900-028         | D1054-042      | A2656-060             | B2546-002         | D1281-006      | 22-060                         |
| KOM  | D250        |                 | RECESSED  | 2.165    | 12.323   | 3.110      | 9.016      | 10.250 | B1902-244             | B1901-151                | N/A               | B1904-438           | B1903-478           | C5054                  | B1904-439               | B1903-479               | C6075                      |              | 56-0146    | A2392-404    | B1900-007         | D1092-008      |                       |                   |                | 22-404                         |
| KOM  | D275A-2     |                 | SALT      | 2.240    | 12.610   | 3.648      | 8.195      | 10.250 | B1902-110             | B1901-078                | N/A               | B1904-191           | B1903-210           | C5063A                 | B1904-197               | B1903-215               | C6160                      | A2904-003    | 56-0146    | A2392-035    | B1900-007         | D1092-003      | A2656-035             | B2158-018         | D1281-011      | 22-035                         |
| KOM  | D275AX-5    | Berco KM3593B   | Snap Ring | 2.193    | 12.047   | 3.543      | 7.740      | 10.250 | B1902-257             | B1901-214                | N/A               | B1904-733           | B1903-631           | C5308                  | B1904-734               | B1903-630               | C6334                      | A2904-003    | 56-0146    | A2392-475    | B1900-007         | D1092-025      |                       |                   |                | 22-475                         |
| KOM  | D30         | S/N 15008 +     | SEALED    | 1.102    | 6.693    | 1.772      | 3.716      | 6.063  | B1902-036             | B1901-040                | B1905-035         | B1904-080           | B1903-079           | C5057                  | B1904-079               | B1903-078               | C6078A                     | B1927-002    | 56-0146    | A2392-038    | B1900-021         | D1054-025      | 2656-038              | B2543-002         | 43072          | 22-038                         |
| KOM  | D30-12      | S/N 5016 & UP   | SEALED    | 1.102    | 6.594    | 1.772      | 3.716      | 6.063  | B1902-036             | B1901-040                | B1905-035         | B1904-080           | B1903-079           | C5057                  | B1904-079               | B1903-078               | C6078A                     | B1927-002    | 56-0146    | A2392-038    | B1900-021         | D1054-025      | A2656-038             | B2543-002         | 43072          | 22-038                         |
| KOM  | D30-15      | S/N 5016 & UP   | SEALED    | 1.102    | 6.594    | 1.772      | 3.716      | 6.063  | B1902-036             | B1901-040                | B1905-035         | B1904-080           | B1903-079           | C5057                  | B1904-079               | B1903-078               | C6078A                     | B1927-002    | 56-0146    | A2392-038    | B1900-021         | D1054-025      | A2656-038             | B2543-002         | 43072          | 22-038                         |
| KOM  | D30-8       | S/N 5016 & UP   | SEALED    | 1.102    | 6.594    | 1.772      | 3.716      | 6.063  | B1902-036             | B1901-040                | B1905-035         | B1904-080           | B1903-079           | C5057                  | B1904-079               | B1903-078               | C6078A                     | B1927-002    | 56-0146    | A2392-038    | B1900-021         | D1054-025      | A2656-038             | B2543-002         | 43072          | 22-038                         |
| KOM  | D30A        |                 | SEALED    | 1.102    | 6.594    | 1.772      | 3.716      | 6.063  | B1902-036             | B1901-040                | B1905-035         | B1904-080           | B1903-079           | C5057                  | B1904-079               | B1903-078               | C6078A                     | B1927-002    | 56-0146    | A2392-038    | B1900-021         | D1054-025      | A2656-038             | B2543-002         | 43072          | 22-038                         |
| KOM  | D30S-15     | S/N 5016 & UP   | SEALED    | 1.102    | 6.594    | 1.772      | 3.716      | 6.063  | B1902-036             | B1901-040                | B1905-035         | B1904-080           | B1903-079           | C5057                  | B1904-079               | B1903-078               | C6078A                     | B1927-002    | 56-0146    | A2392-038    | B1900-021         | D1054-025      | A2656-038             | B2543-002         | 43072          | 22-038                         |
| KOM  | D31         | CURRENT         | SALT      | 1.102    | 6.693    | 1.850      | 3.634      | 6.063  | B1902-091             | B1901-039                | B1905-072         | B1904-172           | B1903-172           | C5058                  | B1904-174               | B1903-175               | C6143                      | 204050       | 56-0146    | A2392-063    | B1900-021         | D1054-025      | A2656-063             | B2543-002         | 43072          | 22-063                         |
| KOM  | D31         | NEW             | UNSEALED  | 1.180    | 6.690    | 1.820      | 4.290      | 6.060  | B1902-094             | B1901-039                | B1905-075         | B1904-173           | B1903-174           | C5069                  | B1904-175               | B1903-179               | C6018                      | A2904-001    | 56-0146    | A2392-168    | B1900-021         | D1054-025      | A2656-168             | B2543-002         | 43072          | 22-168                         |
| KOM  | D31-15      |                 | SEALED    | 1.102    | 6.594    | 1.772      | 3.716      | 6.063  | B1902-036             | B1901-040                | B1905-035         | B1904-080           | B1903-079           | C5057                  | B1904-079               | B1903-078               | C6078A                     | B1927-002    | 56-0146    | A2392-038    | B1900-021         | D1054-025      | A2656-038             | B2543-002         | 43072          | 22-038                         |
| KOM  | D31-16      |                 | SALT      | 1.102    | 6.693    | 1.850      | 3.634      | 6.063  | B1902-091             | B1901-039                | B1905-072         | B1904-172           | B1903-172           | C5058                  | B1904-174               | B1903-175               | C6143                      | 204050       | 56-0146    | A2392-063    | B1900-021         | D1054-025      | A2656-063             | B2543-002         | 43072          | 22-063                         |
| KOM  | D31-16      | S/N 25001 +     | SEALED    | 1.102    | 6.693    | 1.772      | 3.716      | 6.063  | B1902-036             | B1901-040                | B1905-035         | B1904-080           | B1903-079           | C5057                  | B1904-079               | B1903-078               | C6078A                     | B1927-002    | 56-0146    | A2392-038    | B1900-021         | D1054-025      | 2656-038              | B2543-002         | 43072          | 22-038                         |
| KOM  | D31-5       | S/N 15008 +     | SEALED    | 1.102    | 6.693    | 1.772      | 3.716      | 6.063  | B1902-036             | B1901-040                | B1905-035         | B1904-080           | B1903-079           | C5057                  | B1904-079               | B1903-078               | C6078A                     | B1927-002    | 56-0146    | A2392-038    | B1900-021         | D1054-025      | 2656-038              | B2543-002         | 43072          | 22-038                         |
| KOM  | D31E        |                 | SALT      | 1.102    | 6.693    | 1.850      | 3.634      | 6.063  | B1902-091             | B1901-039                | B1905-072         | B1904-172           | B1903-172           | C5058                  | B1904-174               | B1903-175               | C6143                      | 204050       | 56-0146    | A2392-156    | B1900-021         | D1054-025      | A2656-156             | B2474-001         | 43072          | 22-156                         |
| KOM  | D31E-12     |                 | SEALED    | 1.102    | 6.594    | 1.772      | 3.716      | 6.063  | B1902-036             | B1901-040                | B1905-035         | B1904-080           | B1903-079           | C5057                  | B1904-079               | B1903-078               | C6078A                     | B1927-002    | 56-0146    | A2392-038    | B1900-021         | D1054-025      | A2656-038             | B2543-002         | 43072          | 22-038                         |





WTC Machinery  
C-Style Tool Chart

| Make | Model     | Comments       | Type      | Pin Dia. | Pin Len. | Bush. Dia. | Bush. Len. | Pitch  | Pin Disass'y Tool (2) | Bushing Disassy Tool (2) | Master Spacer (2) | Pin Assy Holder (2) | Pin Assy Insert (2) | Full Pin Assy Tool (2) | Bushing Assy Holder (2) | Bushing Assy Insert (2) | Full Bushing Assy Tool (2) | Pin Shim (4) | Spring (4) | WTC Tool Set | WTC Mount Bar (2) | WTC Saddle (1) | Track Master Tool Set | T M Mount Bar (2) | T M Saddle (1) | Tool Set No Saddle or Toolbars |
|------|-----------|----------------|-----------|----------|----------|------------|------------|--------|-----------------------|--------------------------|-------------------|---------------------|---------------------|------------------------|-------------------------|-------------------------|----------------------------|--------------|------------|--------------|-------------------|----------------|-----------------------|-------------------|----------------|--------------------------------|
| KOM  | D31P      |                | SALT      | 1.102    | 6.693    | 1.850      | 3.634      | 6.063  | B1902-091             | B1901-039                | B1905-072         | B1904-172           | B1903-172           | C5058                  | B1904-174               | B1903-175               | C6143                      | 204050       | 56-0146    | A2392-063    | B1900-021         | D1054-025      | A2656-063             | B2543-002         | 43072          | 22-063                         |
| KOM  | D31P      | NEW            | UNSEALED  | 1.180    | 6.690    | 1.820      | 4.290      | 6.060  | B1902-094             | B1901-039                | B1905-075         | B1904-173           | B1903-174           | C5069                  | B1904-175               | B1903-179               | C6018                      | A2904-001    | 56-0146    | A2392-168    | B1900-021         | D1054-025      | A2656-168             | B2543-002         | 43072          | 22-168                         |
| KOM  | D31P-20   |                | SALT      | 1.102    | 6.693    | 1.850      | 3.634      | 6.063  | B1902-091             | B1901-039                | B1905-072         | B1904-172           | B1903-172           | C5058                  | B1904-174               | B1903-175               | C6143                      | 204050       | 56-0146    | A2392-156    | B1900-021         | D1054-025      | A2656-156             | B2474-001         | 43072          | 22-156                         |
| KOM  | D31PL     |                | SALT      | 1.102    | 6.693    | 1.850      | 3.634      | 6.063  | B1902-091             | B1901-039                | B1905-072         | B1904-172           | B1903-172           | C5058                  | B1904-174               | B1903-175               | C6143                      | 204050       | 56-0146    | A2392-063    | B1900-021         | D1054-025      | A2656-063             | B2543-002         | 43072          | 22-063                         |
| KOM  | D31PLL    | S/N 29001 & UP | SALT      | 1.102    | 6.693    | 1.850      | 3.634      | 6.063  | B1902-091             | B1901-039                | B1905-072         | B1904-172           | B1903-172           | C5058                  | B1904-174               | B1903-175               | C6143                      | 204050       | 56-0146    | A2392-063    | B1900-021         | D1054-025      | A2656-063             | B2543-002         | 43072          | 22-063                         |
| KOM  | D31PX     |                | SALT      | 1.102    | 6.693    | 1.850      | 3.634      | 6.063  | B1902-091             | B1901-039                | B1905-072         | B1904-172           | B1903-172           | C5058                  | B1904-174               | B1903-175               | C6143                      | 204050       | 56-0146    | A2392-156    | B1900-021         | D1054-025      | A2656-156             | B2474-001         | 43072          | 22-156                         |
| KOM  | D31S      |                | SALT      | 1.102    | 6.693    | 1.850      | 3.634      | 6.063  | B1902-091             | B1901-039                | B1905-072         | B1904-172           | B1903-172           | C5058                  | B1904-174               | B1903-175               | C6143                      | 204050       | 56-0146    | A2392-156    | B1900-021         | D1054-025      | A2656-156             | B2474-001         | 43072          | 22-156                         |
| KOM  | D355      |                | FLUSH     | 2.244    | 12.579   | 3.346      | 8.031      | 10.250 | B1902-039             | B1901-048                | N/A               | B1904-440           | B1903-480           | C5053                  | B1904-441               | B1903-481               | C6076                      |              | 56-0146    | A2392-405    | B1900-007         | D1092-008      |                       |                   |                | 22-405                         |
| KOM  | D355      | CURRENT        | SALT      | 2.185    | 12.614   | 3.445      | 8.333      | 10.250 | B1902-108             | B1901-048                | B1905-087         | B1904-189           | B1903-209           | C5091                  | B1904-196               | B1903-213               | C6135                      | A2904-003    | 56-0146    | A2392-044    | B1900-007         | D1092-004      | A2656-044             | B2158-018         | 41910          | 22-044                         |
| KOM  | D355A-1   | S/N 1010-1631  | SEALED    | 2.244    | 12.578   | 3.346      | 8.496      | 10.25  | B1902-160             | B1901-048                | N/A               | B1904-442           | B1903-482           | C5091A                 | B1904-441               | B1903-481               | C6076                      |              | 56-0146    | A2392-406    | B1900-007         | D1092-008      |                       |                   |                | 22-406                         |
| KOM  | D355A-3   | S/N 4234 & UP  | SALT      | 2.185    | 12.736   | 3.445      | 8.333      | 10.250 | B1902-108             | B1901-048                | N/A               | B1904-189           | B1903-209           | C5091                  | B1904-196               | B1903-213               | C6135                      |              | 56-0146    | A2392-408    | B1900-007         | D1092-008      |                       |                   |                | 22-408                         |
| KOM  | D355A-3   | S/N 1632-4233  | SEALED    | 2.185    | 12.736   | 3.346      | 8.503      | 10.250 | B1902-105             | B1901-021                | N/A               | B1904-442           | B1903-482           | C5091A                 | B1904-443               | B1903-483               | C6134                      |              | 56-0146    | A2392-407    | B1900-007         | D1092-008      |                       |                   |                | 22-407                         |
| KOM  | D37       |                | SALT      | 1.102    | 6.693    | 1.850      | 3.634      | 6.063  | B1902-091             | B1901-039                | B1905-072         | B1904-172           | B1903-172           | C5058                  | B1904-174               | B1903-175               | C6143                      | 204050       | 56-0146    | A2392-156    | B1900-021         | D1054-025      | A2656-156             | B2474-001         | 43072          | 22-156                         |
| KOM  | D375-2    |                | SALT      | 2.240    | 12.610   | 3.622      | 8.195      | 10.250 | B1902-110             | B1901-078                | N/A               | B1904-191           | B1903-210           | C5063A                 | B1904-197               | B1903-215               | C6160                      | A2904-003    | 56-0146    | A2392-035    | B1900-007         | D1092-003      | A2656-035             | B2158-018         | D1281-011      | 22-035                         |
| KOM  | D375-3    |                | SALT      | 2.240    | 12.610   | 3.622      | 8.195      | 10.250 | B1902-110             | B1901-078                | N/A               | B1904-191           | B1903-210           | C5063A                 | B1904-197               | B1903-215               | C6160                      | A2904-003    | 56-0146    | A2392-035    | B1900-007         | D1092-003      | A2656-035             | B2158-018         | D1281-011      | 22-035                         |
| KOM  | D375A-1   |                | SALT      | 2.240    | 12.610   | 3.648      | 8.195      | 10.250 | B1902-110             | B1901-078                | N/A               | B1904-191           | B1903-210           | C5063A                 | B1904-197               | B1903-215               | C6160                      | A2904-003    | 56-0146    | A2392-035    | B1900-007         | D1092-003      | A2656-035             | B2158-018         | D1281-011      | 22-035                         |
| KOM  | D375A-2   | S/N 16010 +    | SALT      | 2.360    | 12.770   | 3.860      | 8.350      | 11.040 | B1902-206             | B1901-114                | N/A               | B1904-302           | B1903-338           | C5131A                 | B1904-301               | B1903-337               | C6184                      | A2904-003    | 56-0150    | A2392-253    | B1900-040         | D1092-010      | A2656-253             | B2158-021         | D1281-021      | 22-253                         |
| KOM  | D375A-3   |                | SALT      | 2.360    | 12.770   | 3.860      | 8.350      | 11.040 | B1902-206             | B1901-114                | N/A               | B1904-302           | B1903-338           | C5131A                 | B1904-301               | B1903-337               | C6184                      | A2904-003    | 56-0150    | A2392-253    | B1900-040         | D1092-010      | A2656-253             | B2158-021         | D1281-021      | 22-253                         |
| KOM  | D375A-5   |                | SALT      | 2.362    | 12.770   | 3.878      | 8.350      | 11.040 | B1902-206             | B1901-114                | N/A               | B1904-669           | B1903-338           | C5165                  | B1904-670               | B1903-337               | C6225                      | A2904-003    | 56-0150    | A2392-422    | B1900-040         | D1092-010      |                       |                   |                | 22-422                         |
| KOM  | D375A-5   | Berco KM3599D  | Snap Ring | 2.362    | 12.638   | 3.858      | 8.354      | 11.024 | B1902-206             | B1901-216                | N/A               | B1904-737           | B1903-338           | C5310                  | B1904-736               | B1903-632               | C6335                      | A2904-003    | 56-0150    | A2392-477    | B1900-040         | D1092-010      |                       |                   |                | 22-477                         |
| KOM  | D375A-5/6 | Berco KM1274D  | SALT      | 2.362    | 12.772   | 3.858      | 8.354      | 11.024 | B1902-206             | B1901-215                | N/A               | B1904-735           | B1903-338           | C5309                  | B1904-736               | B1903-632               | C6335                      | A2904-003    | 56-0150    | A2392-476    | B1900-040         | D1092-010      |                       |                   |                | 22-476                         |
| KOM  | D37P      |                | SALT      | 1.102    | 6.693    | 1.850      | 3.634      | 6.063  | B1902-091             | B1901-039                | B1905-072         | B1904-172           | B1903-172           | C5058                  | B1904-174               | B1903-175               | C6143                      | 204050       | 56-0146    | A2392-156    | B1900-021         | D1054-025      | A2656-156             | B2474-001         | 43072          | 22-156                         |
| KOM  | D39E      |                | SALT      | 1.307    | 7.244    | 2.283      | 4.437      | 6.750  | B1902-033             | B1901-070                | N/A               | B1904-396           | B1903-436           | C5052                  | B1904-397               | B1903-437               | C6207A                     |              | 56-0146    | A2392-381    | B1900-014         | D1054-051      |                       |                   |                | 22-381                         |
| KOM  | D39EX     |                | SALT      | 1.307    | 7.244    | 2.283      | 4.437      | 6.750  | B1902-033             | B1901-070                | N/A               | B1904-396           | B1903-436           | C5052                  | B1904-397               | B1903-437               | C6207A                     |              | 56-0146    | A2392-381    | B1900-014         | D1054-051      |                       |                   |                | 22-381                         |
| KOM  | D39P      |                | SALT      | 1.307    | 7.244    | 2.283      | 4.437      | 6.750  | B1902-033             | B1901-070                | N/A               | B1904-396           | B1903-436           | C5052                  | B1904-397               | B1903-437               | C6207A                     |              | 56-0146    | A2392-381    | B1900-014         | D1054-051      |                       |                   |                | 22-381                         |
| KOM  | D39PX     |                | SALT      | 1.307    | 7.244    | 2.283      | 4.437      | 6.750  | B1902-033             | B1901-070                | N/A               | B1904-396           | B1903-436           | C5052                  | B1904-397               | B1903-437               | C6207A                     |              | 56-0146    | A2392-381    | B1900-014         | D1054-051      |                       |                   |                | 22-381                         |
| KOM  | D40       |                | RECESSED  | 1.488    | 8.583    | 2.165      | 5.984      | 6.890  | B1902-065             | B1901-079                | N/A               | B1904-407           | B1903-448           | C5059B                 | B1904-408               | B1903-449               | C6085                      |              | 56-0146    | A2392-382    | B1900-020         | D1054-024      |                       |                   |                | 22-382                         |
| KOM  | D40       |                | SALT      | 1.377    | 7.130    | 2.043      | 5.190      | 6.890  | B1902-247             | B1901-153                | N/A               | B1904-462           | B1903-499           | C5060C                 | B1904-463               | B1903-500               | C6165                      |              | 56-0146    | A2392-383    | B1900-020         | D1054-043      |                       |                   |                | 22-383                         |
| KOM  | D40       |                | SEALED    | 1.382    | 7.170    | 2.085      | 5.280      | 6.890  | B1902-045             | B1901-153                | N/A               | B1904-466           | B1903-503           | C5059A                 | B1904-504               | B1903-467               | C6077                      |              | 56-0146    | A2392-384    | B1900-020         | D1054-024      |                       |                   |                | 22-384                         |
| KOM  | D40P-1    | BERCO          | SEALED    | 1.496    | 8.661    | 2.165      | 5.827      | 6.906  | B1902-112             | B1901-076                | N/A               | B1904-456           | B1903-494           | C5059C                 | B1904-457               | B1903-495               | C6210                      |              | 56-0146    | A2392-385    | B1900-008         | D1054-007      |                       |                   |                | 22-385                         |
| KOM  | D41       | NEW            | SALT      | 1.499    | 8.661    | 2.179      | 5.266      | 6.890  | B1902-095             | B1901-041                | N/A               | B1904-176           | B1903-181           | C5122                  | B1904-179               | B1903-185               | C6084A                     | 204050       | 56-0146    | A2392-166    | B1900-020         | D1054-043      | A2656-166             | B2545-003         | D1281-007      | 22-166                         |
| KOM  | D41       |                | SEALED    | 1.382    | 7.170    | 2.085      | 5.280      | 6.890  | B1902-045             | B1901-153                | N/A               | B1904-466           | B1903-503           | C5059A                 | B1904-504               | B1903-467               | C6077                      |              | 56-0146    | A2392-384    | B1900-020         | D1054-024      |                       |                   |                | 22-384                         |
| KOM  | D41       |                | UNSEALED  | 1.499    | 8.660    | 2.179      | 5.976      | 6.890  | B1902-096             | B1901-041                | B1905-078         | B1904-176           | B1903-181           | C5122                  | B1904-179               | B1903-184               | C6084A                     | A2904-001    | 56-0146    | A2392-170    | B1900-020         | D1054-024      | A2656-170             | B2545-003         | 41820          | 22-170                         |
| KOM  | D41-6     |                | SALT      | 1.307    | 7.244    | 2.283      | 4.437      | 6.750  | B1902-033             | B1901-070                | N/A               | B1904-396           | B1903-436           | C5052                  | B1904-397               | B1903-437               | C6207A                     |              | 56-0146    | A2392-381    | B1900-014         | D1054-051      |                       |                   |                | 22-381                         |
| KOM  | D41A      | BERCO          | SEALED    | 1.496    | 8.661    | 2.165      | 5.827      | 6.906  | B1902-112             | B1901-076                | N/A               | B1904-456           | B1903-494           | C5059C                 | B1904-457               | B1903-495               | C6210                      |              | 56-0146    | A2392-385    | B1900-008         | D1054-007      |                       |                   |                | 22-385                         |
| KOM  | D41E      | S/N 50201 & UP | SALT      | 1.307    | 7.224    | 2.283      | 4.437      | 6.750  | B1902-033             | B1901-070                | N/A               | B1904-396           | B1903-436           | C5052                  | B1904-397               | B1903-437               | C6207A                     |              | 56-0146    | A2392-381    | B1900-014         | D1054-051      |                       |                   |                | 22-381                         |
| KOM  | D41E      |                | SALT      | 1.307    | 7.244    | 2.283      | 4.437      | 6.750  | B1902-033             | B1901-070                | N/A               | B1904-396           | B1903-436           | C5052                  | B1904-397               | B1903-437               | C6207A                     |              | 56-0146    | A2392-381    | B1900-014         | D1054-051      |                       |                   |                | 22-381                         |



WTC Machinery  
C-Style Tool Chart

| Make | Model    | Comments                | Type      | Pin Dia. | Pin Len. | Bush. Dia.      | Bush. Len. | Pitch  | Pin Disass'y Tool (2) | Bushing Disassy Tool (2) | Master Spacer (2) | Pin Assy Holder (2) | Pin Assy Insert (2) | Full Pin Assy Tool (2) | Bushing Assy Holder (2) | Bushing Assy Insert (2) | Full Bushing Assy Tool (2) | Pin Shim (4) | Spring (4) | WTC Tool Set | WTC Mount Bar (2) | WTC Saddle (1) | Track Master Tool Set | T M Mount Bar (2) | T M Saddle (1) | Tool Set No Saddle or Toolbars |
|------|----------|-------------------------|-----------|----------|----------|-----------------|------------|--------|-----------------------|--------------------------|-------------------|---------------------|---------------------|------------------------|-------------------------|-------------------------|----------------------------|--------------|------------|--------------|-------------------|----------------|-----------------------|-------------------|----------------|--------------------------------|
| KOM  | D41P     |                         | SALT      | 1.307    | 7.244    | 2.283           | 4.437      | 6.750  | B1902-033             | B1901-070                | N/A               | B1904-396           | B1903-436           | C5052                  | B1904-397               | B1903-437               | C6207A                     |              | 56-0146    | A2392-381    | B1900-014         | D1054-051      |                       |                   |                | 22-381                         |
| KOM  | D41P     | BERCO                   | SEALED    | 1.496    | 8.661    | 2.165           | 5.827      | 6.906  | B1902-112             | B1901-076                | N/A               | B1904-456           | B1903-494           | C5059C                 | B1904-457               | B1903-495               | C6210                      |              | 56-0146    | A2392-385    | B1900-008         | D1054-007      |                       |                   |                | 22-385                         |
| KOM  | D41P-6   | S/N 50201 & UP          | SALT      | 1.307    | 7.224    | 2.283           | 4.437      | 6.750  | B1902-033             | B1901-070                | N/A               | B1904-396           | B1903-436           | C5052                  | B1904-397               | B1903-437               | C6207A                     |              | 56-0146    | A2392-381    | B1900-014         | D1054-051      |                       |                   |                | 22-381                         |
| KOM  | D41PX-12 |                         | SALT      | 1.432    | 7.845    | 2.365           | 4.449      | 6.875  | B1902-075             | B1901-148                | N/A               | B1904-405           | B1903-446           | C5163                  | B1904-406               | B1903-447               | C6207                      |              | 56-0146    | A2392-417    |                   |                |                       |                   |                | 22-417                         |
| KOM  | D41Q-3   | BERCO                   | SEALED    | 1.496    | 8.661    | 2.165           | 5.827      | 6.906  | B1902-112             | B1901-076                | N/A               | B1904-456           | B1903-494           | C5059C                 | B1904-457               | B1903-495               | C6210                      |              | 56-0146    | A2392-385    | B1900-008         | D1054-007      |                       |                   |                | 22-385                         |
| KOM  | D41S     | BERCO                   | SEALED    | 1.496    | 8.661    | 2.165           | 5.827      | 6.906  | B1902-112             | B1901-076                | N/A               | B1904-456           | B1903-494           | C5059C                 | B1904-457               | B1903-495               | C6210                      |              | 56-0146    | A2392-385    | B1900-008         | D1054-007      |                       |                   |                | 22-385                         |
| KOM  | D45      |                         | RECESSED  | 1.488    | 8.583    | 2.165           | 5.984      | 6.890  | B1902-065             | B1901-079                | N/A               | B1904-407           | B1903-448           | C5059B                 | B1904-408               | B1903-449               | C6085                      |              | 56-0146    | A2392-382    | B1900-020         | D1054-024      |                       |                   |                | 22-382                         |
| KOM  | D455     | CURRENT                 | SALT      | 2.760    | 14.370   | 4.250           | 9.760      | 12.500 | B2054-008             | B2055-008                | N/A               | C1165-007           | C1166-012           | C5090A                 | C1165-005               | C1166-013               | C6129                      | A2904-003    | 56-0150    | A2392-084    | C1000-005         | D1092-002      | A2656-084             | B2528             | 42863          | 22-084                         |
| KOM  | D455A-1  | S/N 1334 & UP           | SALT      | 2.756    | 14.370   | 4.449           | 9.556      | 12.500 | B1902-245             | B1901-165                | N/A               | B1904-448           | B1903-487           | C5090                  | B1904-642               | B1903-588               | C6140                      |              | 56-0150    | A2392-410    | C1000-005         | D1092-002      |                       |                   |                | 22-410                         |
| KOM  | D455A-1  | S/N 1004-1089           | SALT      | 2.760    | 14.370   | 4.250           | 9.760      | 12.500 | B2054-008             | B2055-008                | N/A               | C1165-007           | C1166-012           | C5090A                 | C1165-005               | C1166-013               | C6129                      | A2904-003    | 56-0150    | A2392-084    | C1000-005         | D1092-002      | A2656-084             | B2528             | 42863          | 22-084                         |
| KOM  | D45A     |                         | SEALED    | 1.382    | 7.170    | 2.085           | 5.280      | 6.890  | B1902-045             | B1901-153                | N/A               | B1904-466           | B1903-503           | C5059A                 | B1904-504               | B1903-467               | C6077                      |              | 56-0146    | A2392-384    | B1900-020         | D1054-024      |                       |                   |                | 22-384                         |
| KOM  | D45A     | S/N 12178 & UP<br>BERCO | SEALED    | 1.496    | 8.661    | 2.165           | 5.827      | 6.906  | B1902-112             | B1901-076                | N/A               | B1904-456           | B1903-494           | C5059C                 | B1904-457               | B1903-495               | C6210                      |              | 56-0146    | A2392-385    | B1900-008         | D1054-007      |                       |                   |                | 22-385                         |
| KOM  | D45B     | S/N 12178 & UP<br>BERCO | SEALED    | 1.496    | 8.661    | 2.165           | 5.827      | 6.906  | B1902-112             | B1901-076                | N/A               | B1904-456           | B1903-494           | C5059C                 | B1904-457               | B1903-495               | C6210                      |              | 56-0146    | A2392-385    | B1900-008         | D1054-007      |                       |                   |                | 22-385                         |
| KOM  | D45P-1   | S/N 1501 & UP           | SEALED    | 1.382    | 7.170    | 2.085           | 5.280      | 6.890  | B1902-045             | B1901-153                | N/A               | B1904-466           | B1903-503           | C5059A                 | B1904-504               | B1903-467               | C6077                      |              | 56-0146    | A2392-384    | B1900-020         | D1054-024      |                       |                   |                | 22-384                         |
| KOM  | D475     | CURRENT                 | SALT      | 2.760    | 14.400   | 4.449           | 9.610      | 12.510 | B2054-009             | B2055-008                | N/A               | C1165-008           | C1166-014           | C5107                  | C1165-005               | C1166-015               | C6161                      | A2904-003    | 56-0150    | A2392-061    | C1000-005         | D1092-002      | A2656-061             | B2528             | 42863          | 22-061                         |
| KOM  | D475A-1  |                         | SALT      | 2.760    | 14.400   | 4.449           | 9.610      | 12.510 | B2054-009             | B2055-008                | N/A               | C1165-008           | C1166-014           | C5107                  | C1165-005               | C1166-015               | C6161                      | A2904-003    | 56-0150    | A2392-061    | C1000-005         | D1092-002      | A2656-061             | B2528             | 42863          | 22-061                         |
| KOM  | D475A-2  |                         | SALT      | 2.760    | 14.400   | 4.449           | 9.610      | 12.510 | B2054-009             | B2055-008                | N/A               | C1165-008           | C1166-014           | C5107                  | C1165-005               | C1166-015               | C6161                      | A2904-003    | 56-0150    | A2392-061    | C1000-005         | D1092-002      | A2656-061             | B2528             | 42863          | 22-061                         |
| KOM  | D475A-3  |                         | SALT      | 2.760    | 13.780   | 4.606           | 9.690      | 12.510 | B1902-245             | B1901-152                | N/A               | B1904-654           | B1903-487           | C5239                  | B1904-479               | B1903-513               | C6183                      | A2904-003    | 56-0150    | A2392-315    | C1000-005         | D1092-013      |                       |                   |                | 22-315                         |
| KOM  | D475A-5  |                         | SALT      | 2.760    | 14.474   | 4.448           | 9.690      | 12.510 | B1902-245             | B1901-170                | N/A               | B1904-686           | B1903-603           | C5239A                 | B1904-685               | B1903-604               | C6183A                     | A2904-003    | 56-0150    | A2392-314    | C1000-005         | D1092-013      |                       |                   |                | 22-314                         |
| KOM  | D475A-5  | Dual Bushing            | SALT      | 2.637    | 14.474   | 4.448/<br>4.961 | 9.606      | 12.500 | B1902-245             | B1901-170                | N/A               | B1904-686           | B1903-603           | C5239A                 | B1904-685               | B1903-604               | C6183A                     | A2904-003    | 56-0150    |              | C1000-005         | D1092-013-DB   |                       |                   |                |                                |
| KOM  | D475A-5  | Berco KM4458            | Snap Ring | 2.756    | 14.685   | 4.567           | 9.606      | 12.510 | B1902-316             | B1901-213                | N/A               | B1904-728           | B1903-628           | C5307                  | B1904-729               | B1903-604               | C6333                      | A2904-003    | 56-0150    | A2392-474    | C1000-005         | D1092-013      |                       |                   |                | 22-474                         |
| KOM  | D475AX-5 | Berco KM3180A           | Snap Ring | 2.756    | 14.685   | 4.567           | 9.606      | 12.500 | B1902-316             | B1901-213                | N/A               | B1904-732           | B1903-628           | C5306                  | B1904-729               | B1903-604               | C6333                      | A2904-003    | 56-0150    | A2392-473    | C1000-005         | D1092-013      |                       |                   |                | 22-473                         |
| KOM  | D50      |                         | RECESSED  | 1.488    | 8.583    | 2.165           | 5.984      | 6.890  | B1902-065             | B1901-079                | N/A               | B1904-407           | B1903-448           | C5059B                 | B1904-408               | B1903-449               | C6085                      |              | 56-0146    | A2392-382    | B1900-020         | D1054-024      |                       |                   |                | 22-382                         |
| KOM  | D50      |                         | SALT      | 1.377    | 7.130    | 2.043           | 5.190      | 6.890  | B1902-247             | B1901-153                | N/A               | B1904-462           | B1903-499           | C5060C                 | B1904-463               | B1903-500               | C6165                      |              | 56-0146    | A2392-383    | B1900-020         | D1054-043      |                       |                   |                | 22-383                         |
| KOM  | D50      |                         | SEALED    | 1.382    | 7.170    | 2.085           | 5.280      | 6.890  | B1902-045             | B1901-153                | N/A               | B1904-466           | B1903-503           | C5059A                 | B1904-504               | B1903-467               | C6077                      |              | 56-0146    | A2392-384    | B1900-020         | D1054-024      |                       |                   |                | 22-384                         |
| KOM  | D50-11   |                         | RECESSED  | 1.488    | 8.583    | 2.165           | 5.984      | 6.890  | B1902-065             | B1901-079                | N/A               | B1904-407           | B1903-448           | C5059B                 | B1904-408               | B1903-449               | C6085                      |              | 56-0146    | A2392-382    | B1900-020         | D1054-024      |                       |                   |                | 22-382                         |
| KOM  | D50-15   |                         | RECESSED  | 1.488    | 8.583    | 2.165           | 5.984      | 6.890  | B1902-065             | B1901-079                | N/A               | B1904-407           | B1903-448           | C5059B                 | B1904-408               | B1903-449               | C6085                      |              | 56-0146    | A2392-382    | B1900-020         | D1054-024      |                       |                   |                | 22-382                         |
| KOM  | D50-15   |                         | SEALED    | 1.382    | 7.170    | 2.085           | 5.280      | 6.890  | B1902-045             | B1901-153                | N/A               | B1904-466           | B1903-503           | C5059A                 | B1904-504               | B1903-467               | C6077                      |              | 56-0146    | A2392-384    | B1900-020         | D1054-024      |                       |                   |                | 22-384                         |
| KOM  | D50A     | BERCO                   | SEALED    | 1.496    | 8.661    | 2.165           | 5.827      | 6.906  | B1902-112             | B1901-076                | N/A               | B1904-456           | B1903-494           | C5059C                 | B1904-457               | B1903-495               | C6210                      |              | 56-0146    | A2392-385    | B1900-008         | D1054-007      |                       |                   |                | 22-385                         |
| KOM  | D50B     | S/N 10901 & UP<br>BERCO | SEALED    | 1.496    | 8.661    | 2.165           | 5.827      | 6.906  | B1902-112             | B1901-076                | N/A               | B1904-456           | B1903-494           | C5059C                 | B1904-457               | B1903-495               | C6210                      |              | 56-0146    | A2392-385    | B1900-008         | D1054-007      |                       |                   |                | 22-385                         |
| KOM  | D50P     | S/N 10901 & UP<br>BERCO | SEALED    | 1.496    | 8.661    | 2.165           | 5.827      | 6.906  | B1902-112             | B1901-076                | N/A               | B1904-456           | B1903-494           | C5059C                 | B1904-457               | B1903-495               | C6210                      |              | 56-0146    | A2392-385    | B1900-008         | D1054-007      |                       |                   |                | 22-385                         |
| KOM  | D50S     | S/N 10901 & UP<br>BERCO | SEALED    | 1.496    | 8.661    | 2.165           | 5.827      | 6.906  | B1902-112             | B1901-076                | N/A               | B1904-456           | B1903-494           | C5059C                 | B1904-457               | B1903-495               | C6210                      |              | 56-0146    | A2392-385    | B1900-008         | D1054-007      |                       |                   |                | 22-385                         |
| KOM  | D50S-11  |                         | RECESSED  | 1.488    | 8.583    | 2.165           | 5.984      | 6.890  | B1902-065             | B1901-079                | N/A               | B1904-407           | B1903-448           | C5059B                 | B1904-408               | B1903-449               | C6085                      |              | 56-0146    | A2392-382    | B1900-020         | D1054-024      |                       |                   |                | 22-382                         |
| KOM  | D53      | NEW                     | SALT      | 1.499    | 8.661    | 2.179           | 5.266      | 6.890  | B1902-095             | B1901-041                | N/A               | B1904-176           | B1903-181           | C5122                  | B1904-179               | B1903-185               | C6084A                     | 204050       | 56-0146    | A2392-166    | B1900-020         | D1054-043      | A2656-166             | B2545-003         | D1281-007      | 22-166                         |
| KOM  | D53      |                         | UNSEALED  | 1.499    | 8.660    | 2.179           | 5.976      | 6.890  | B1902-096             | B1901-041                | B1905-078         | B1904-176           | B1903-181           | C5122                  | B1904-179               | B1903-184               | C6084A                     | A2904-001    | 56-0146    | A2392-170    | B1900-020         | D1054-024      | A2656-170             | B2545-003         | 41820          | 22-170                         |
| KOM  | D53      |                         | SALT      | 1.377    | 7.130    | 2.043           | 5.190      | 6.890  | B1902-247             | B1901-153                | N/A               | B1904-462           | B1903-499           | C5060C                 | B1904-463               | B1903-500               | C6165                      |              | 56-0146    | A2392-383    | B1900-020         | D1054-043      |                       |                   |                | 22-383                         |
| KOM  | D53-15   |                         | SEALED    | 1.382    | 7.170    | 2.085           | 5.280      | 6.890  | B1902-045             | B1901-153                | N/A               | B1904-466           | B1903-503           | C5059A                 | B1904-504               | B1903-467               | C6077                      |              | 56-0146    | A2392-384    | B1900-020         | D1054-024      |                       |                   |                | 22-384                         |



**WTC Machinery  
C-Style Tool Chart**

| Make | Model    | Comments        | Type     | Pin Dia. | Pin Len. | Bush. Dia. | Bush. Len. | Pitch  | Pin Disass'y Tool (2) | Bushing Disassy Tool (2) | Master Spacer (2) | Pin Assy Holder (2) | Pin Assy Insert (2) | Full Pin Assy Tool (2) | Bushing Assy Holder (2) | Bushing Assy Insert (2) | Full Bushing Assy Tool (2) | Pin Shim (4) | Spring (4) | WTC Tool Set | WTC Mount Bar (2) | WTC Saddle (1) | Track Master Tool Set | T M Mount Bar (2) | T M Saddle (1) | Tool Set No Saddle or Toolbars |
|------|----------|-----------------|----------|----------|----------|------------|------------|--------|-----------------------|--------------------------|-------------------|---------------------|---------------------|------------------------|-------------------------|-------------------------|----------------------------|--------------|------------|--------------|-------------------|----------------|-----------------------|-------------------|----------------|--------------------------------|
| KOM  | D53-16   |                 | SEALED   | 1.382    | 7.170    | 2.085      | 5.280      | 6.890  | B1902-045             | B1901-153                | N/A               | B1904-466           | B1903-503           | C5059A                 | B1904-504               | B1903-467               | C6077                      |              | 56-0146    | A2392-384    | B1900-020         | D1054-024      |                       |                   |                | 22-384                         |
| KOM  | D53A     | BERCO           | SEALED   | 1.496    | 8.661    | 2.165      | 5.827      | 6.906  | B1902-112             | B1901-076                | N/A               | B1904-456           | B1903-494           | C5059C                 | B1904-457               | B1903-495               | C6210                      |              | 56-0146    | A2392-385    | B1900-008         | D1054-007      |                       |                   |                | 22-385                         |
| KOM  | D53A-15  | S/N 60001 & UP  | SEALED   | 1.382    | 7.170    | 2.085      | 5.280      | 6.890  | B1902-045             | B1901-153                | N/A               | B1904-466           | B1903-503           | C5059A                 | B1904-504               | B1903-467               | C6077                      |              | 56-0146    | A2392-384    | B1900-020         | D1054-024      |                       |                   |                | 22-384                         |
| KOM  | D55      |                 | SEALED   | 1.496    | 8.661    | 2.165      | 5.453      | 7.480  | B1902-128             | B1901-089                | B1905-079         | B1904-181           | B1903-187           | C5060B                 | B1904-182               | B1903-189               | C6086                      | A2904-001    | 56-0146    | A2392-089    | B1900-002         | D1054-039      | A2656-089             | B2158-007         | 41289          | 22-089                         |
| KOM  | D55-S    |                 | RECESSED | 1.488    | 8.583    | 2.165      | 6.062      | 7.480  | B1902-033             | B1901-076                | N/A               | B1904-425           | B1903-465           | C5056                  | B1904-426               | B1903-466               | C6084                      |              | 56-0146    | A2392-386    | B1900-008         | D1054-007      |                       |                   |                | 22-386                         |
| KOM  | D57-1    |                 | SEALED   | 1.496    | 8.661    | 2.165      | 5.453      | 7.480  | B1902-128             | B1901-089                | B1905-079         | B1904-181           | B1903-187           | C5060B                 | B1904-182               | B1903-189               | C6086                      | A2904-001    | 56-0146    | A2392-089    | B1900-002         | D1054-039      | A2656-089             | B2158-007         | 41289          | 22-089                         |
| KOM  | D575A-2  |                 | SALT     | 2.913    | 17.320   | 4.528      | 10.669     | 12.508 | B2054-011             | B2055-011                | N/A               | B2057-012           | B1903-333           | C5278                  | B2057-013               | B1903-334               | C6337                      | N/A          | 56-0150    | A2392-278    | C1000-005         | D1092-009      | A2656-277             | B2528             | TBA            | 22-278                         |
| KOM  | D575A-3  |                 | SALT     | 2.913    | 17.320   | 4.528      | 10.669     | 12.508 | B2054-011             | B2055-011                | N/A               | B2057-012           | B1903-333           | C5278                  | B2057-013               | B1903-334               | C6337                      | N/A          | 56-0150    | A2392-278    | C1000-005         | D1092-009      | A2656-277             | B2528             | TBA            | 22-278                         |
| KOM  | D57S-1   |                 | SEALED   | 1.496    | 8.661    | 2.165      | 5.453      | 7.480  | B1902-128             | B1901-089                | B1905-079         | B1904-181           | B1903-187           | C5060B                 | B1904-182               | B1903-189               | C6086                      | A2904-001    | 56-0146    | A2392-089    | B1900-002         | D1054-039      | A2656-089             | B2158-007         | 41289          | 22-089                         |
| KOM  | D58      |                 | SALT     | 1.377    | 7.130    | 2.043      | 5.190      | 6.890  | B1902-247             | B1901-153                | N/A               | B1904-462           | B1903-499           | C5060C                 | B1904-463               | B1903-500               | C6165                      |              | 56-0146    | A2392-383    | B1900-020         | D1054-043      |                       |                   |                | 22-383                         |
| KOM  | D58      |                 | SEALED   | 1.382    | 7.170    | 2.085      | 5.280      | 6.890  | B1902-045             | B1901-153                | N/A               | B1904-466           | B1903-503           | C5059A                 | B1904-504               | B1903-467               | C6077                      |              | 56-0146    | A2392-384    | B1900-020         | D1054-024      |                       |                   |                | 22-384                         |
| KOM  | D58E     | BERCO           | SEALED   | 1.496    | 8.661    | 2.165      | 5.827      | 6.906  | B1902-112             | B1901-076                | N/A               | B1904-456           | B1903-494           | C5059C                 | B1904-457               | B1903-495               | C6210                      |              | 56-0146    | A2392-385    | B1900-008         | D1054-007      |                       |                   |                | 22-385                         |
| KOM  | D58E     |                 | SEALED   | 1.496    | 8.661    | 2.185      | 5.750      | 6.906  | B1902-112             | B1901-076                | N/A               | B1904-456           | B1903-494           | C5059C                 | B1904-457               | B1903-495               | C6210                      |              | 56-0146    | A2392-385    | B1900-008         | D1054-007      |                       |                   |                | 22-385                         |
| KOM  | D58P-1   | BERCO           | SEALED   | 1.496    | 8.661    | 2.165      | 5.827      | 6.906  | B1902-112             | B1901-076                | N/A               | B1904-456           | B1903-494           | C5059C                 | B1904-457               | B1903-495               | C6210                      |              | 56-0146    | A2392-385    | B1900-008         | D1054-007      |                       |                   |                | 22-385                         |
| KOM  | D6       | S/N 50001-50200 | SALT     | 1.307    | 7.244    | 2.283      | 4.437      | 6.750  | B1902-033             | B1901-070                | N/A               | B1904-396           | B1903-436           | C5052                  | B1904-397               | B1903-437               | C6207A                     |              | 56-0146    | A2392-381    | B1900-014         | D1054-051      |                       |                   |                | 22-381                         |
| KOM  | D60      | CURRENT         | DRY      | 1.756    | 9.433    | 2.618      | 6.256      | 8.000  | B1902-099             | B1901-069                | B1905-063         | B1904-184           | B1903-191           | C5084                  | B1904-185               | B1903-196               | C6279                      | A2904-001    | 56-0146    | A2392-263    | B1900-020         | D1054-024      | A2656-263             | B2545-003         | D1281-007      | 22-263                         |
| KOM  | D60      | CURRENT         | SALT     | 1.750    | 9.433    | 2.618      | 6.083      | 8.000  | B1902-098             | B1901-069                | B1905-080         | B1904-184           | B1903-191           | C5084                  | B1904-185               | B1903-195               | C6142A                     | A2904-001    | 56-0146    | A2392-101    | B1900-025         | D1054-033      | A2656-101             | B2158-008         | 52877          | 22-101                         |
| KOM  | D60      |                 | SEALED   | 1.760    | 9.433    | 2.618      | 6.260      | 8.000  | B1902-082             | B1901-075                | B1905-063         | B1904-161           | B1903-149           | C5084A                 | B1904-160               | B1903-148               | C6118                      | N/A          | 56-0146    | A2392-024    | B1900-025         | D1054-033      | A2656-024             | B2158-008         | 52877          | 22-024                         |
| KOM  | D60-6    |                 | SEALED   | 1.760    | 9.433    | 2.618      | 6.260      | 8.000  | B1902-082             | B1901-075                | B1905-063         | B1904-161           | B1903-149           | C5084A                 | B1904-160               | B1903-148               | C6118                      | N/A          | 56-0146    | A2392-024    | B1900-025         | D1054-033      | A2656-024             | B2158-008         | 52877          | 22-024                         |
| KOM  | D60-6    |                 | SEALED   | 1.752    | 9.260    | 2.630      | 6.000      | 8.000  | B1902-082             | B1901-045                | N/A               | B1904-415           | B1903-456           | C5062                  | B1904-416               | B1903-457               | C6081                      |              | 56-0146    | A2392-388    | B1900-025         | D1054-033      |                       |                   |                | 22-388                         |
| KOM  | D60-A    |                 | RECESSED | 1.488    | 8.583    | 2.165      | 6.062      | 7.480  | B1902-033             | B1901-076                | N/A               | B1904-425           | B1903-465           | C5056                  | B1904-426               | B1903-466               | C6084                      |              | 56-0146    | A2392-386    | B1900-008         | D1054-007      |                       |                   |                | 22-386                         |
| KOM  | D61      |                 | SALT     | 1.496    | 8.897    | 2.560      | 5.216      | 7.480  | B1902-130             | B1901-130                | N/A               | B1904-452           | B1903-490           | C5060A                 | B1904-453               | B1903-491               | C6217                      |              | 56-0146    | A2392-387    | B1900-002         | D1054-027      |                       |                   |                | 22-387                         |
| KOM  | D61E     |                 | SALT     | 1.496    | 8.897    | 2.560      | 5.216      | 7.480  | B1902-130             | B1901-130                | N/A               | B1904-452           | B1903-490           | C5060A                 | B1904-453               | B1903-491               | C6217                      |              | 56-0146    | A2392-387    | B1900-002         | D1054-027      |                       |                   |                | 22-387                         |
| KOM  | D61EX    |                 | SALT     | 1.496    | 8.897    | 2.560      | 5.216      | 7.480  | B1902-130             | B1901-130                | N/A               | B1904-452           | B1903-490           | C5060A                 | B1904-453               | B1903-491               | C6217                      |              | 56-0146    | A2392-387    | B1900-002         | D1054-027      |                       |                   |                | 22-387                         |
| KOM  | D61P     |                 | SALT     | 1.496    | 8.897    | 2.560      | 5.216      | 7.480  | B1902-130             | B1901-130                | N/A               | B1904-452           | B1903-490           | C5060A                 | B1904-453               | B1903-491               | C6217                      |              | 56-0146    | A2392-387    | B1900-002         | D1054-027      |                       |                   |                | 22-387                         |
| KOM  | D61PX    |                 | SALT     | 1.496    | 8.897    | 2.560      | 5.216      | 7.480  | B1902-130             | B1901-130                | N/A               | B1904-452           | B1903-490           | C5060A                 | B1904-453               | B1903-491               | C6217                      |              | 56-0146    | A2392-387    | B1900-002         | D1054-027      |                       |                   |                | 22-387                         |
| KOM  | D61PX-12 |                 | SALT     | 1.496    | 8.897    | 2.560      | 5.216      | 7.480  | B1902-130             | B1901-130                | N/A               | B1904-452           | B1903-490           | C5060A                 | B1904-453               | B1903-491               | C6217                      |              | 56-0146    | A2392-387    | B1900-002         | D1054-027      |                       |                   |                | 22-387                         |
| KOM  | D63      |                 | SEALED   | 1.382    | 7.170    | 2.085      | 5.280      | 6.890  | B1902-045             | B1901-153                | N/A               | B1904-466           | B1903-503           | C5059A                 | B1904-504               | B1903-467               | C6077                      |              | 56-0146    | A2392-384    | B1900-020         | D1054-024      |                       |                   |                | 22-384                         |
| KOM  | D63E     |                 | SALT     | 1.377    | 7.130    | 2.043      | 5.190      | 6.890  | B1902-247             | B1901-153                | N/A               | B1904-462           | B1903-499           | C5060C                 | B1904-463               | B1903-500               | C6165                      |              | 56-0146    | A2392-383    | B1900-020         | D1054-043      |                       |                   |                | 22-383                         |
| KOM  | D65      | CURRENT         | DRY      | 1.756    | 9.433    | 2.618      | 6.256      | 8.000  | B1902-099             | B1901-069                | B1905-063         | B1904-184           | B1903-191           | C5084                  | B1904-185               | B1903-196               | C6279                      | A2904-001    | 56-0146    | A2392-263    | B1900-020         | D1054-024      | A2656-263             | B2545-003         | D1281-007      | 22-263                         |
| KOM  | D65      | CURRENT         | SALT     | 1.750    | 9.433    | 2.618      | 6.083      | 8.000  | B1902-098             | B1901-069                | B1905-080         | B1904-184           | B1903-191           | C5084                  | B1904-185               | B1903-195               | C6142A                     | A2904-001    | 56-0146    | A2392-101    | B1900-025         | D1054-033      | A2656-101             | B2158-008         | 52877          | 22-101                         |
| KOM  | D65      |                 | SEALED   | 1.760    | 9.433    | 2.618      | 6.260      | 8.000  | B1902-082             | B1901-075                | B1905-063         | B1904-161           | B1903-149           | C5084A                 | B1904-160               | B1903-148               | C6118                      | N/A          | 56-0146    | A2392-024    | B1900-025         | D1054-033      | A2656-024             | B2158-008         | 52877          | 22-024                         |
| KOM  | D65-6    | S/N 34001 & UP  | SALT     | 1.756    | 9.528    | 2.752      | 6.082      | 8.000  | B1902-226             | B1901-073                | N/A               | B1904-417           | B1903-456           | C5097                  | B1904-418               | B1903-458               | C6142                      |              | 56-0146    | A2392-389    | B1900-025         | D1054-033      |                       |                   |                | 22-389                         |
| KOM  | D65A     |                 | SEALED   | 1.760    | 9.433    | 2.618      | 6.260      | 8.000  | B1902-082             | B1901-075                | B1905-063         | B1904-161           | B1903-149           | C5084A                 | B1904-160               | B1903-148               | C6118                      | N/A          | 56-0146    | A2392-024    | B1900-025         | D1054-033      | A2656-024             | B2158-008         | 52877          | 22-024                         |
| KOM  | D65E     |                 | SEALED   | 1.760    | 9.433    | 2.618      | 6.260      | 8.000  | B1902-082             | B1901-075                | B1905-063         | B1904-161           | B1903-149           | C5084A                 | B1904-160               | B1903-148               | C6118                      | N/A          | 56-0146    | A2392-024    | B1900-025         | D1054-033      | A2656-024             | B2158-008         | 52877          | 22-024                         |
| KOM  | D65P-6   | S/N 20006 & UP  | SEALED   | 1.760    | 9.433    | 2.618      | 6.260      | 8.000  | B1902-082             | B1901-075                | B1905-063         | B1904-161           | B1903-149           | C5084A                 | B1904-160               | B1903-148               | C6118                      | N/A          | 56-0146    | A2392-024    | B1900-025         | D1054-033      | A2656-024             | B2158-008         | 52877          | 22-024                         |
| KOM  | D66      |                 | SALT     | 1.756    | 9.528    | 2.752      | 6.082      | 8.000  | B1902-226             | B1901-073                | N/A               | B1904-417           | B1903-456           | C5097                  | B1904-418               | B1903-458               | C6142                      |              | 56-0146    | A2392-389    | B1900-025         | D1054-033      |                       |                   |                | 22-389                         |



**WTC Machinery  
C-Style Tool Chart**

| Make | Model      | Comments       | Type     | Pin Dia. | Pin Len. | Bush. Dia. | Bush. Len. | Pitch  | Pin Disass'y Tool (2) | Bushing Disassy Tool (2) | Master Spacer (2) | Pin Assy Holder (2) | Pin Assy Insert (2) | Full Pin Assy Tool (2) | Bushing Assy Holder (2) | Bushing Assy Insert (2) | Full Bushing Assy Tool (2) | Pin Shim (4) | Spring (4) | WTC Tool Set | WTC Mount Bar (2) | WTC Saddle (1) | Track Master Tool Set | T M Mount Bar (2) | T M Saddle (1) | Tool Set No Saddle or Toolbars |
|------|------------|----------------|----------|----------|----------|------------|------------|--------|-----------------------|--------------------------|-------------------|---------------------|---------------------|------------------------|-------------------------|-------------------------|----------------------------|--------------|------------|--------------|-------------------|----------------|-----------------------|-------------------|----------------|--------------------------------|
| KOM  | D66        |                | SEALED   | 1.760    | 9.433    | 2.618      | 6.260      | 8.000  | B1902-082             | B1901-075                | B1905-063         | B1904-161           | B1903-149           | C5084A                 | B1904-160               | B1903-148               | C6118                      | N/A          | 56-0146    | A2392-024    | B1900-025         | D1054-033      | A2656-024             | B2158-008         | 52877          | 22-024                         |
| KOM  | D68        |                | SALT     | 1.756    | 9.528    | 2.752      | 6.082      | 8.000  | B1902-226             | B1901-073                | N/A               | B1904-417           | B1903-456           | C5097                  | B1904-418               | B1903-458               | C6142                      |              | 56-0146    | A2392-389    | B1900-025         | D1054-033      |                       |                   |                | 22-389                         |
| KOM  | D68        |                | SEALED   | 1.760    | 9.433    | 2.618      | 6.260      | 8.000  | B1902-082             | B1901-075                | B1905-063         | B1904-161           | B1903-149           | C5084A                 | B1904-160               | B1903-148               | C6118                      | N/A          | 56-0146    | A2392-024    | B1900-025         | D1054-033      | A2656-024             | B2158-008         | 52877          | 22-024                         |
| KOM  | D75        | CURRENT        | SALT     | 1.850    | 10.000   | 2.925      | 6.288      | 8.504  | B1902-101             | B1901-067                | B1905-081         | B1904-020           | B1903-199           | C5096C                 | B1904-186               | B1903-200               | C6138                      | A2904-002    | 56-0150    | A2392-037    | B1900-001         | D1096-006      | A2656-037             | B2158-006         | 52637          | 22-037                         |
| KOM  | D75        |                | SEALED   | 1.843    | 10.000   | 2.925      | 6.476      | 8.504  | B1902-197             | B1901-020                | N/A               | B1904-632           | B1903-584           | C5096                  | B1904-631               | B1903-583               | C6119C                     |              | 56-0146    | A2392-392    | B1900-001         | D1096-006      |                       |                   |                | 22-392                         |
| KOM  | D75-S      |                | SEALED   | 1.850    | 9.842    | 2.803      | 6.480      | 8.504  | B1902-170             | B1901-067                | N/A               | B1904-427           | B1903-467           | C5015A                 | B1904-428               | B1903-468               | C6079                      |              | 56-0146    | A2392-391    | B1900-001         | D1096-006      |                       |                   |                | 22-391                         |
| KOM  | D80        | CURRENT        | SALT     | 1.850    | 10.000   | 2.925      | 6.288      | 8.504  | B1902-101             | B1901-067                | B1905-081         | B1904-020           | B1903-199           | C5096C                 | B1904-186               | B1903-200               | C6138                      | A2904-002    | 56-0150    | A2392-037    | B1900-001         | D1096-006      | A2656-037             | B2158-006         | 52637          | 22-037                         |
| KOM  | D80        |                | SEALED   | 1.843    | 10.000   | 2.925      | 6.476      | 8.504  | B1902-197             | B1901-020                | N/A               | B1904-632           | B1903-584           | C5096                  | B1904-631               | B1903-583               | C6119C                     |              | 56-0146    | A2392-392    | B1900-001         | D1096-006      |                       |                   |                | 22-392                         |
| KOM  | D80-7      |                | SEALED   | 1.752    | 9.842    | 2.618      | 6.480      | 8.000  | B1902-242             | B1901-149                | N/A               | B1904-423           | B1903-463           | C5013A                 | B1904-424               | B1903-464               | C6080                      |              | 56-0146    | A2392-390    | B1900-025         | D1054-033      |                       |                   |                | 22-390                         |
| KOM  | D80-8      |                | SEALED   | 1.752    | 9.842    | 2.618      | 6.480      | 8.000  | B1902-242             | B1901-149                | N/A               | B1904-423           | B1903-463           | C5013A                 | B1904-424               | B1903-464               | C6080                      |              | 56-0146    | A2392-390    | B1900-025         | D1054-033      |                       |                   |                | 22-390                         |
| KOM  | D85        | CURRENT        | SALT     | 1.850    | 10.000   | 2.925      | 6.288      | 8.504  | B1902-101             | B1901-067                | B1905-081         | B1904-020           | B1903-199           | C5096C                 | B1904-186               | B1903-200               | C6138                      | A2904-002    | 56-0150    | A2392-037    | B1900-001         | D1096-006      | A2656-037             | B2158-006         | 52637          | 22-037                         |
| KOM  | D85        |                | SEALED   | 1.771    | 9.842    | 2.795      | 6.476      | 8.504  | B1902-220             | B1901-025                | N/A               | B1904-429           | B1903-469           | C5085                  | B1904-430               | B1903-470               | C6119A                     |              | 56-0146    | A2392-393    | B1900-001         | D1096-006      |                       |                   |                | 22-393                         |
| KOM  | D85-18     | S/N 26514 & UP | SALT     | 1.850    | 10.000   | 2.925      | 6.288      | 8.504  | B1902-101             | B1901-067                | B1905-081         | B1904-020           | B1903-199           | C5096C                 | B1904-186               | B1903-200               | C6138                      | A2904-002    | 56-0150    | A2392-037    | B1900-001         | D1096-006      | A2656-037             | B2158-006         | 52637          | 22-037                         |
| KOM  | D85-18     | S/N 26513 & DN | SEALED   | 1.850    | 10.000   | 2.925      | 6.476      | 8.500  | B1902-197             | B1901-020                | N/A               | B1904-633           | B1903-507           | C5096B                 | B1904-644               | B1903-583               | C6246B                     |              | 56-0146    | A2392-413    | B1900-009         | D1096-001      |                       |                   |                | 22-413                         |
| KOM  | D85A       |                | SEALED   | 1.771    | 9.842    | 2.795      | 6.476      | 8.504  | B1902-220             | B1901-025                | N/A               | B1904-429           | B1903-469           | C5085                  | B1904-430               | B1903-470               | C6119A                     |              | 56-0146    | A2392-393    | B1900-001         | D1096-006      |                       |                   |                | 22-393                         |
| KOM  | D85A       |                | SEALED   | 1.843    | 10.000   | 2.925      | 6.476      | 8.504  | B1902-197             | B1901-020                | N/A               | B1904-632           | B1903-584           | C5096                  | B1904-631               | B1903-583               | C6119C                     |              | 56-0146    | A2392-392    | B1900-001         | D1096-006      |                       |                   |                | 22-392                         |
| KOM  | D85A-12    |                | SEALED   | 1.850    | 9.842    | 2.803      | 6.480      | 8.504  | B1902-170             | B1901-067                | N/A               | B1904-427           | B1903-467           | C5015A                 | B1904-428               | B1903-468               | C6079                      |              | 56-0146    | A2392-391    | B1900-001         | D1096-006      |                       |                   |                | 22-391                         |
| KOM  | D85E       |                | SEALED   | 1.843    | 10.000   | 2.925      | 6.476      | 8.504  | B1902-197             | B1901-020                | N/A               | B1904-632           | B1903-584           | C5096                  | B1904-631               | B1903-583               | C6119C                     |              | 56-0146    | A2392-392    | B1900-001         | D1096-006      |                       |                   |                | 22-392                         |
| KOM  | D85E-12    | S/N 10001 & UP | SEALED   | 1.771    | 9.842    | 2.795      | 6.476      | 8.504  | B1902-220             | B1901-025                | N/A               | B1904-429           | B1903-469           | C5085                  | B1904-430               | B1903-470               | C6119A                     |              | 56-0146    | A2392-393    | B1900-001         | D1096-006      |                       |                   |                | 22-393                         |
| KOM  | D85E-12    |                | SEALED   | 1.771    | 9.842    | 2.795      | 6.476      | 8.504  | B1902-220             | B1901-025                | N/A               | B1904-429           | B1903-469           | C5085                  | B1904-430               | B1903-470               | C6119A                     |              | 56-0146    | A2392-393    | B1900-001         | D1096-006      |                       |                   |                | 22-393                         |
| KOM  | D85EX-15   |                | SALT     | 1.850    | 10.000   | 2.925      | 6.288      | 8.504  | B1902-101             | B1901-067                | N/A               | B1904-020           | B1903-199           | C5096C                 | B1904-186               | B1903-200               | C6138                      |              | 56-0150    | A2392-394    | B1900-001         | D1096-006      |                       |                   |                | 22-394                         |
| KOM  | D85P-18    |                | SEALED   | 1.843    | 10.000   | 2.925      | 6.476      | 8.504  | B1902-197             | B1901-020                | N/A               | B1904-632           | B1903-584           | C5096                  | B1904-631               | B1903-583               | C6119C                     |              | 56-0146    | A2392-392    | B1900-001         | D1096-006      |                       |                   |                | 22-392                         |
| KOM  | D85PX      |                | SALT     | 1.850    | 10.000   | 2.925      | 6.288      | 8.504  | B1902-101             | B1901-067                | N/A               | B1904-020           | B1903-199           | C5096C                 | B1904-186               | B1903-200               | C6138                      |              | 56-0150    | A2392-394    | B1900-001         | D1096-006      |                       |                   |                | 22-394                         |
| KOM  | D85PX-15   |                | SALT     | 1.850    | 10.000   | 2.925      | 6.288      | 8.504  | B1902-101             | B1901-067                | N/A               | B1904-020           | B1903-199           | C5096C                 | B1904-186               | B1903-200               | C6138                      |              | 56-0150    | A2392-394    | B1900-001         | D1096-006      |                       |                   |                | 22-394                         |
| KOM  | D95        |                | SALT     | 1.850    | 10.000   | 2.925      | 6.288      | 8.504  | B1902-101             | B1901-067                | B1905-081         | B1904-020           | B1903-199           | C5096C                 | B1904-186               | B1903-200               | C6138                      | A2904-002    | 56-0150    | A2392-037    | B1900-001         | D1096-006      | A2656-037             | B2158-006         | 52637          | 22-037                         |
| KOM  | D95        |                | SEALED   | 1.843    | 10.000   | 2.925      | 6.476      | 8.504  | B1902-197             | B1901-020                | N/A               | B1904-632           | B1903-584           | C5096                  | B1904-631               | B1903-583               | C6119C                     |              | 56-0146    | A2392-392    | B1900-001         | D1096-006      |                       |                   |                | 22-392                         |
| KOM  | D95-S      |                | SEALED   | 1.772    | 10.000   | 2.800      | 6.480      | 8.500  | B1902-197             | B1901-020                | N/A               | B1904-647           | B1903-469           | C5232                  | B1904-646               | B1903-508               | C6246                      |              | 56-0146    | A2392-415    | B1900-009         | D1096-001      |                       |                   |                | 22-415                         |
| KOM  | PC100      |                | SEALED   | 1.181    | 6.811    | 1.811      | 3.713      | 6.063  | B1902-093             | B1901-039                | B1905-074         | B1904-173           | B1903-173           | C5126                  | B1904-175               | B1903-177               | C6190                      | 204050       | 56-0146    | A2392-165    | B1900-021         | D1054-025      | A2656-165             | B2543-002         | 43072          | 22-165                         |
| KOM  | PC100      |                | SEALED   | 1.180    | 6.810    | 1.820      | 3.410      | 6.890  | B1902-089             | B1901-155                | N/A               | B1904-468           | B1903-505           | C5126A                 | B1904-469               | B1903-506               | C6221                      |              | 56-0146    | A2392-419    | B1900-020         | TBA            |                       |                   |                | 22-419                         |
| KOM  | PC100      | NEW            | UNSEALED | 1.180    | 6.690    | 1.820      | 4.290      | 6.060  | B1902-094             | B1901-039                | B1905-075         | B1904-173           | B1903-174           | C5069                  | B1904-175               | B1903-179               | C6018                      | A2904-001    | 56-0146    | A2392-168    | B1900-021         | D1054-025      | A2656-168             | B2543-002         | 43072          | 22-168                         |
| KOM  | PC1000     | CURRENT        | SEALED   | 2.244    | 12.614   | 3.620      | 8.744      | 10.250 | B1902-043             | B1901-078                | B1905-089         | B1904-193           | B1903-211           | C5063B                 | B1904-197               | B1903-216               | C6177                      | A2904-003    | 56-0146    | A2392-183    | B1900-007         | D1092-003      | A2656-183             | B2158-018         | D1281-011      | 22-183                         |
| KOM  | PC1000-1   |                | SALT     | 2.240    | 12.610   | 3.648      | 8.195      | 10.250 | B1902-110             | B1901-078                | N/A               | B1904-191           | B1903-210           | C5063A                 | B1904-197               | B1903-215               | C6160                      | A2904-003    | 56-0146    | A2392-035    | B1900-007         | D1092-003      | A2656-035             | B2158-018         | D1281-011      | 22-035                         |
| KOM  | PC1000SE-1 |                | SALT     | 2.240    | 12.610   | 3.648      | 8.195      | 10.250 | B1902-110             | B1901-078                | N/A               | B1904-191           | B1903-210           | C5063A                 | B1904-197               | B1903-215               | C6160                      | A2904-003    | 56-0146    | A2392-035    | B1900-007         | D1092-003      | A2656-035             | B2158-018         | D1281-011      | 22-035                         |
| KOM  | PC100-1    |                | SEALED   | 1.181    | 6.535    | 1.819      | 3.713      | 6.062  | B1902-170             | B1901-155                | N/A               | B1904-628           | B1903-505           | C5110                  | B1904-627               | B1903-581               | C6011A                     |              | 56-0146    | A2392-380    | B1900-021         | D1054-025      |                       |                   |                | 22-380                         |
| KOM  | PC100-2    |                | SEALED   | 1.181    | 6.535    | 1.819      | 3.713      | 6.062  | B1902-170             | B1901-155                | N/A               | B1904-628           | B1903-505           | C5110                  | B1904-627               | B1903-581               | C6011A                     |              | 56-0146    | A2392-380    | B1900-021         | D1054-025      |                       |                   |                | 22-380                         |
| KOM  | PC100-3    |                | SEALED   | 1.181    | 6.535    | 1.819      | 3.713      | 6.062  | B1902-170             | B1901-155                | N/A               | B1904-628           | B1903-505           | C5110                  | B1904-627               | B1903-581               | C6011A                     |              | 56-0146    | A2392-380    | B1900-021         | D1054-025      |                       |                   |                | 22-380                         |
| KOM  | PC100-6    |                | SEALED   | 1.180    | 6.810    | 1.820      | 3.410      | 6.890  | B1902-089             | B1901-155                | N/A               | B1904-468           | B1903-505           | C5126A                 | B1904-469               | B1903-506               | C6221                      |              | 56-0146    | A2392-419    | B1900-020         | TBA            |                       |                   |                | 22-419                         |



**WTC Machinery  
C-Style Tool Chart**

2/13/2024

| Make | Model       | Comments | Type     | Pin Dia. | Pin Len. | Bush. Dia. | Bush. Len. | Pitch  | Pin Disass'y Tool (2) | Bushing Disassy Tool (2) | Master Spacer (2) | Pin Assy Holder (2) | Pin Assy Insert (2) | Full Pin Assy Tool (2) | Bushing Assy Holder (2) | Bushing Assy Insert (2) | Full Bushing Assy Tool (2) | Pin Shim (4) | Spring (4) | WTC Tool Set | WTC Mount Bar (2) | WTC Saddle (1) | Track Master Tool Set | T M Mount Bar (2) | T M Saddle (1) | Tool Set No Saddle or Toolbars |
|------|-------------|----------|----------|----------|----------|------------|------------|--------|-----------------------|--------------------------|-------------------|---------------------|---------------------|------------------------|-------------------------|-------------------------|----------------------------|--------------|------------|--------------|-------------------|----------------|-----------------------|-------------------|----------------|--------------------------------|
| KOM  | PC100L-6    |          | SEALED   | 1.490    | 8.660    | 2.330      | 5.060      | 7.490  | B1902-160             | B1901-154                | N/A               | B1904-464           | B1903-501           | C5060                  | B1904-465               | B1903-502               | C6223                      |              | 56-0146    | A2392-420    | B1900-018         | TBA            |                       |                   |                | 22-420                         |
| KOM  | PC1100LC-6  |          | DRY      | 2.360    | 12.770   | 3.870      | 8.880      | 11.030 | B1902-246             | B1901-105                | N/A               | B1904-454           | B1903-492           | C5131                  | B1904-455               | B1903-493               | C6220                      |              | 56-0146    | A2392-409    | B1900-040         | D1092-010      |                       |                   |                | 22-409                         |
| KOM  | PC1100SP-6  |          | DRY      | 2.360    | 12.770   | 3.870      | 8.880      | 11.030 | B1902-246             | B1901-105                | N/A               | B1904-454           | B1903-492           | C5131                  | B1904-455               | B1903-493               | C6220                      |              | 56-0146    | A2392-409    | B1900-040         | D1092-010      |                       |                   |                | 22-409                         |
| KOM  | PC120       |          | SEALED   | 1.180    | 6.810    | 1.820      | 3.410      | 6.890  | B1902-089             | B1901-155                | N/A               | B1904-468           | B1903-505           | C5126A                 | B1904-469               | B1903-506               | C6221                      |              | 56-0146    | A2392-419    | B1900-020         | TBA            |                       |                   |                | 22-419                         |
| KOM  | PC120       |          | SEALED   | 1.181    | 6.811    | 1.811      | 3.713      | 6.063  | B1902-093             | B1901-039                | B1905-074         | B1904-173           | B1903-173           | C5126                  | B1904-175               | B1903-177               | C6190                      | 204050       | 56-0146    | A2392-165    | B1900-021         | D1054-025      | A2656-165             | B2543-002         | 43072          | 22-165                         |
| KOM  | PC120-1     |          | SEALED   | 1.181    | 6.535    | 1.819      | 3.713      | 6.062  | B1902-170             | B1901-155                | N/A               | B1904-628           | B1903-505           | C5110                  | B1904-627               | B1903-581               | C6011A                     |              | 56-0146    | A2392-380    | B1900-021         | D1054-025      |                       |                   |                | 22-380                         |
| KOM  | PC120-2     |          | SEALED   | 1.181    | 6.535    | 1.819      | 3.713      | 6.062  | B1902-170             | B1901-155                | N/A               | B1904-628           | B1903-505           | C5110                  | B1904-627               | B1903-581               | C6011A                     |              | 56-0146    | A2392-380    | B1900-021         | D1054-025      |                       |                   |                | 22-380                         |
| KOM  | PC120-3     |          | SEALED   | 1.181    | 6.535    | 1.819      | 3.713      | 6.062  | B1902-170             | B1901-155                | N/A               | B1904-628           | B1903-505           | C5110                  | B1904-627               | B1903-581               | C6011A                     |              | 56-0146    | A2392-380    | B1900-021         | D1054-025      |                       |                   |                | 22-380                         |
| KOM  | PC120-6     |          |          | 1.181    | 6.811    | 1.811      | 3.713      | 6.890  | B1902-267             | B1901-155                | N/A               | B1904-468           | B1903-505           | C5126A                 | B1904-643               | B1903-582               | C6078                      |              | 56-0146    | A2392-423    | B1900-020         | TBA            |                       |                   |                | 22-423                         |
| KOM  | PC120LC-6   |          | SEALED   | 1.180    | 6.810    | 1.820      | 3.410      | 6.890  | B1902-089             | B1901-155                | N/A               | B1904-468           | B1903-505           | C5126A                 | B1904-469               | B1903-506               | C6221                      |              | 56-0146    | A2392-419    | B1900-020         | TBA            |                       |                   |                | 22-419                         |
| KOM  | PC1250      |          | DRY      | 2.360    | 12.770   | 3.870      | 8.880      | 11.030 | B1902-246             | B1901-105                | N/A               | B1904-454           | B1903-492           | C5131                  | B1904-455               | B1903-493               | C6220                      |              | 56-0146    | A2392-409    | B1900-040         | D1092-010      |                       |                   |                | 22-409                         |
| KOM  | PC1250-7    |          | DRY      | 2.360    | 12.770   | 3.870      | 8.880      | 11.030 | B1902-246             | B1901-105                | N/A               | B1904-454           | B1903-492           | C5131                  | B1904-455               | B1903-493               | C6220                      |              | 56-0146    | A2392-409    | B1900-040         | D1092-010      |                       |                   |                | 22-409                         |
| KOM  | PC1250LC-7  |          | DRY      | 2.360    | 12.770   | 3.870      | 8.880      | 11.030 | B1902-246             | B1901-105                | N/A               | B1904-454           | B1903-492           | C5131                  | B1904-455               | B1903-493               | C6220                      |              | 56-0146    | A2392-409    | B1900-040         | D1092-010      |                       |                   |                | 22-409                         |
| KOM  | PC1250SP-7  |          | DRY      | 2.360    | 12.770   | 3.870      | 8.880      | 11.030 | B1902-246             | B1901-105                | N/A               | B1904-454           | B1903-492           | C5131                  | B1904-455               | B1903-493               | C6220                      |              | 56-0146    | A2392-409    | B1900-040         | D1092-010      |                       |                   |                | 22-409                         |
| KOM  | PC130-6     |          | SEALED   | 1.180    | 6.810    | 1.820      | 3.410      | 6.890  | B1902-089             | B1901-155                | N/A               | B1904-468           | B1903-505           | C5126A                 | B1904-469               | B1903-506               | C6221                      |              | 56-0146    | A2392-419    | B1900-020         | TBA            |                       |                   |                | 22-419                         |
| KOM  | PC138       |          | SEALED   | 1.180    | 6.810    | 1.820      | 3.410      | 6.890  | B1902-089             | B1901-155                | N/A               | B1904-468           | B1903-505           | C5126A                 | B1904-469               | B1903-506               | C6221                      |              | 56-0146    | A2392-419    | B1900-020         | TBA            |                       |                   |                | 22-419                         |
| KOM  | PC150       |          | UNSEALED | 1.499    | 8.660    | 2.179      | 5.976      | 6.890  | B1902-096             | B1901-041                | B1905-078         | B1904-176           | B1903-181           | C5122                  | B1904-179               | B1903-184               | C6084A                     | A2904-001    | 56-0146    | A2392-170    | B1900-020         | D1054-024      | A2656-170             | B2545-003         | 41820          | 22-170                         |
| KOM  | PC1500      | CURRENT  |          | 2.756    | 14.370   | 4.252      | 9.449      | 12.500 | B2054-009             | B2055-009                | B1905-069         | C1165-007           | C1166-012           | C5090A                 | C1165-006               | C1166-016               | C6338                      | A2904-003    | 56-0150    | A2392-184    | C1000-005         | D1092-002      | A2656-184             | B2528             | D1281-009      | 22-184                         |
| KOM  | PC200       | CURRENT  | SEALED   | 1.496    | 8.661    | 2.165      | 5.453      | 7.480  | B1902-128             | B1901-089                | B1905-079         | B1904-181           | B1903-187           | C5060B                 | B1904-182               | B1903-189               | C6086                      | A2904-001    | 56-0146    | A2392-171    | B1900-002         | D1054-039      | A2656-171A            | B2158-007         | D1278TM        | 22-171                         |
| KOM  | PC2000      |          | SALT     | 2.760    | 14.450   | 4.560      | 9.610      | 12.510 | B1902-277             | B1901-152                | N/A               | B1904-667           | B1903-487           | C5107A                 | B1904-666               | B1903-595               | C6078B                     |              |            | A2392-424    | C1000-005         | D1092-002      |                       |                   |                | 22-424                         |
| KOM  | PC200-6     |          | SEALED   | 1.496    | 8.661    | 2.165      | 5.453      | 7.480  | B1902-128             | B1901-089                | B1905-079         | B1904-181           | B1903-187           | C5060B                 | B1904-182               | B1903-189               | C6086                      | A2904-001    | 56-0146    | A2392-089    | B1900-002         | D1054-039      | A2656-089             | B2158-007         | 41289          | 22-089                         |
| KOM  | PC200-7     |          | SEALED   | 1.496    | 8.661    | 2.165      | 5.453      | 7.480  | B1902-128             | B1901-089                | B1905-079         | B1904-181           | B1903-187           | C5060B                 | B1904-182               | B1903-189               | C6086                      | A2904-001    | 56-0146    | A2392-089    | B1900-002         | D1054-039      | A2656-089             | B2158-007         | 41289          | 22-089                         |
| KOM  | PC200-8     |          | SEALED   | 1.496    | 8.661    | 2.165      | 5.453      | 7.480  | B1902-128             | B1901-089                | B1905-079         | B1904-181           | B1903-187           | C5060B                 | B1904-182               | B1903-189               | C6086                      | A2904-001    | 56-0146    | A2392-089    | B1900-002         | D1054-039      | A2656-089             | B2158-007         | 41289          | 22-089                         |
| KOM  | PC210LC-11  |          | SEALED   | 1.503    | 8.346    | 2.334      | 5.453      | 7.480  | B1902-223             | B1901-200                | N/A               | B1904-699           | B1903-501           | C5281                  | B1904-700               | B1903-502               | C6311                      |              | 56-0146    | A2392-450    | B1900-002         | D1054-035      |                       |                   |                | 22-450                         |
| KOM  | PC220       | CURRENT  | SEALED   | 1.496    | 8.661    | 2.165      | 5.453      | 7.480  | B1902-128             | B1901-089                | B1905-079         | B1904-181           | B1903-187           | C5060B                 | B1904-182               | B1903-189               | C6086                      | A2904-001    | 56-0146    | A2392-171    | B1900-002         | D1054-039      | A2656-171A            | B2158-007         | D1278TM        | 22-171                         |
| KOM  | PC240LC-6   |          | SEALED   | 1.496    | 8.661    | 2.165      | 5.453      | 7.480  | B1902-128             | B1901-089                | B1905-079         | B1904-181           | B1903-187           | C5060B                 | B1904-182               | B1903-189               | C6086                      | A2904-001    | 56-0146    | A2392-089    | B1900-002         | D1054-039      | A2656-089             | B2158-007         | 41289          | 22-089                         |
| KOM  | PC300       | CURRENT  | SEALED   | 1.760    | 9.530    | 2.618      | 6.260      | 8.000  | B1902-100             | B1901-069                | B1905-063         | B1904-184           | B1903-192           | C5076                  | B1904-185               | B1903-196               | C6279                      | A2904-001    | 56-0146    | A2392-173    | B1900-025         | D1054-033      | A2656-173             | B2158-008         | 52877          | 22-173                         |
| KOM  | PC300HD-6   |          | SEALED   | 1.850    | 9.920    | 2.800      | 6.470      | 9.000  | B1902-089             | B1901-149                | N/A               | B1904-470           | B1903-507           | C5160                  | B1904-471               | B1903-508               | C6120                      |              | 56-0146    | A2392-403    | B1900-006         | D1096-004      |                       |                   |                | 22-403                         |
| KOM  | PC360LC-10  |          | SEALED   | 1.761    | 9.528    | 2.636      | 6.256      | 8.504  | B1902-279             | B1901-150                | N/A               | B1904-417           | B4903-452           | C5282                  | B1904-701               | B1903-458               | C6312                      |              | 56-0150    | A2392-451    | B1900-001         | D1096-006      |                       |                   |                | 22-451                         |
| KOM  | PC-400 EX   |          | SEALED   | 1.850    | 10.000   | 2.790      | 6.476      | 8.504  | B1902-020             | B1901-197                | N/A               | B1904-633           | B1903-507           | C5096B                 | B1904-430               | B1903-585               | C6119B                     |              | 56-0146    | A2392-395    | B1900-001         | D1096-006      |                       |                   |                | 22-395                         |
| KOM  | PC400-3     |          | SEALED   | 1.843    | 10.000   | 2.925      | 6.476      | 8.504  | B1902-197             | B1901-020                | N/A               | B1904-632           | B1903-584           | C5096                  | B1904-631               | B1903-583               | C6119C                     |              | 56-0146    | A2392-392    | B1900-001         | D1096-006      |                       |                   |                | 22-392                         |
| KOM  | PC400-5     |          | SEALED   | 1.843    | 10.000   | 2.925      | 6.476      | 8.504  | B1902-197             | B1901-020                | N/A               | B1904-632           | B1903-584           | C5096                  | B1904-631               | B1903-583               | C6119C                     |              | 56-0146    | A2392-392    | B1900-001         | D1096-006      |                       |                   |                | 22-392                         |
| KOM  | PC400-6     |          | SEALED   | 1.850    | 10.000   | 2.803      | 6.480      | 9.000  | B1902-020             | B1901-197                | N/A               | B1904-633           | B1903-507           | C5096B                 | B1904-430               | B1903-585               | C6119B                     |              | 56-0146    | A2392-396    | B1900-006         | D1096-004      |                       |                   |                | 22-396                         |
| KOM  | PC400-6     |          | SEALED   | 1.843    | 10.000   | 2.925      | 6.476      | 8.504  | B1902-197             | B1901-020                | N/A               | B1904-632           | B1903-584           | C5096                  | B1904-631               | B1903-583               | C6119C                     |              | 56-0146    | A2392-392    | B1900-001         | D1096-006      |                       |                   |                | 22-392                         |
| KOM  | PC400LC-7   |          | SEALED   | 1.850    | 10.000   | 2.803      | 6.480      | 9.000  | B1902-020             | B1901-197                | N/A               | B1904-633           | B1903-507           | C5096B                 | B1904-634               | B1903-586               | C6119                      |              | 56-0146    | A2392-397    | B1900-006         | D1096-004      |                       |                   |                | 22-397                         |
| KOM  | PC400LCSE-7 |          | SEALED   | 1.850    | 10.000   | 2.803      | 6.480      | 9.000  | B1902-020             | B1901-197                | N/A               | B1904-633           | B1903-507           | C5096B                 | B1904-634               | B1903-586               | C6119                      |              | 56-0146    | A2392-397    | B1900-006         | D1096-004      |                       |                   |                | 22-397                         |
| KOM  | PC450       |          | SEALED   | 1.850    | 10.000   | 2.803      | 6.480      | 9.000  | B1902-020             | B1901-197                | N/A               | B1904-633           | B1903-507           | C5096B                 | B1904-634               | B1903-586               | C6119                      |              | 56-0146    | A2392-397    | B1900-006         | D1096-004      |                       |                   |                | 22-397                         |



**WTC Machinery  
C-Style Tool Chart**

| Make     | Model      | Comments | Type   | Pin Dia. | Pin Len. | Bush. Dia. | Bush. Len. | Pitch  | Pin Disass'y Tool (2) | Bushing Disassy Tool (2) | Master Spacer (2) | Pin Assy Holder (2) | Pin Assy Insert (2) | Full Pin Assy Tool (2) | Bushing Assy Holder (2) | Bushing Assy Insert (2) | Full Bushing Assy Tool (2) | Pin Shim (4) | Spring (4) | WTC Tool Set | WTC Mount Bar (2) | WTC Saddle (1) | Track Master Tool Set | T M Mount Bar (2) | T M Saddle (1) | Tool Set No Saddle or Toolbars |
|----------|------------|----------|--------|----------|----------|------------|------------|--------|-----------------------|--------------------------|-------------------|---------------------|---------------------|------------------------|-------------------------|-------------------------|----------------------------|--------------|------------|--------------|-------------------|----------------|-----------------------|-------------------|----------------|--------------------------------|
| KOM      | PC490LC-10 |          | SEALED | 1.926    | 10.157   | 2.913      | 6.610      | 8.976  | B1902-314             | B1901-143                | N/A               | B1904-702           | B1903-473           | C5283                  | B1904-703               | B1903-474               | C6312                      |              | 56-0146    | A2392-452    | B1900-006         | D1096-004      |                       |                   |                | 22-452                         |
| KOM      | PC500LC-6  |          | SEALED | 1.920    | 11.410   | 2.870      | 7.900      | 9.000  | B1902-231             | B1901-138                | N/A               | B1904-339           | B1903-381           | C5177                  | B1904-340               | B1903-382               | C6244                      | A2904-002    | 56-0146    | A2392-305    | B1900-006         | D1096-010      | A2656-305             | B2158-012         | 42826          | 22-305                         |
| KOM      | PC60       | EXC      | SEALED | 0.945    | 5.550    | 1.600      | 3.185      | 5.310  | B1902-090             | B1901-077                | B1905-071         | B1904-170           | B1903-168           | C5123                  | B1904-171               | B1903-171               | C6172                      | N/A          | 56-0146    | A2392-164    | B1900-028         | D1054-042      | A2656-164             | B2546-002         | D1281-006      | 22-164                         |
| KOM      | PC600      |          | SEALED | 2.185    | 12.614   | 3.445      | 8.504      | 10.250 | B1902-109             | B1901-048                | N/A               | B1904-640           | B1903-484           | C5125                  | B1904-639               | B1903-486               | C6126                      |              | 56-0146    | A2392-406    | B1900-007         | D1092-008      |                       |                   |                | 22-406                         |
| KOM      | PC600      | EXC      | SEALED | 1.850    | 10.000   | 2.790      | 6.476      | 8.504  | B1902-197             | B1901-020                | N/A               | B1904-633           | B1903-507           | C5096B                 | B1904-430               | B1903-589               | C6246A                     |              | 56-0146    | A2392-412    | B1900-001         | D1096-006      |                       |                   |                | 22-412                         |
| KOM      | PC600-6    |          | SEALED | 1.920    | 11.410   | 2.870      | 7.900      | 9.000  | B1902-231             | B1901-138                | N/A               | B1904-339           | B1903-381           | C5177                  | B1904-340               | B1903-382               | C6244                      | A2904-002    | 56-0146    | A2392-305    | B1900-006         | D1096-010      | A2656-305             | B2158-012         | 42826          | 22-305                         |
| KOM      | PC600-7    |          | SEALED | 1.920    | 11.410   | 2.870      | 7.900      | 9.000  | B1902-231             | B1901-138                | N/A               | B1904-339           | B1903-381           | C5177                  | B1904-340               | B1903-382               | C6244                      | A2904-002    | 56-0146    | A2392-305    | B1900-006         | D1096-010      | A2656-305             | B2158-012         | 42826          | 22-305                         |
| KOM      | PC600LC-7  |          | SEALED | 1.920    | 11.410   | 2.870      | 7.900      | 9.000  | B1902-231             | B1901-138                | N/A               | B1904-339           | B1903-381           | C5177                  | B1904-340               | B1903-382               | C6244                      | A2904-002    | 56-0146    | A2392-305    | B1900-006         | D1096-010      | A2656-305             | B2158-012         | 42826          | 22-305                         |
| KOM      | PC650-5    |          | SEALED | 2.185    | 12.614   | 3.445      | 8.504      | 10.250 | B1902-109             | B1901-048                | N/A               | B1904-640           | B1903-484           | C5125                  | B1904-639               | B1903-486               | C6126                      |              | 56-0146    | A2392-406    | B1900-007         | D1092-008      |                       |                   |                | 22-406                         |
| KOM      | PC700      |          | SEALED | 2.185    | 12.614   | 3.445      | 8.504      | 10.250 | B1902-109             | B1901-048                | N/A               | B1904-640           | B1903-484           | C5125                  | B1904-639               | B1903-486               | C6126                      |              | 56-0146    | A2392-406    | B1900-007         | D1092-008      |                       |                   |                | 22-406                         |
| KOM      | PC710      |          | SEALED | 2.185    | 12.614   | 3.445      | 8.504      | 10.250 | B1902-109             | B1901-048                | N/A               | B1904-640           | B1903-484           | C5125                  | B1904-639               | B1903-486               | C6126                      |              | 56-0146    | A2392-406    | B1900-007         | D1092-008      |                       |                   |                | 22-406                         |
| KOM      | PC750SE-6  |          | SEALED | 2.185    | 12.614   | 3.445      | 8.504      | 10.250 | B1902-109             | B1901-048                | N/A               | B1904-640           | B1903-484           | C5125                  | B1904-639               | B1903-486               | C6126                      |              | 56-0146    | A2392-406    | B1900-007         | D1092-008      |                       |                   |                | 22-406                         |
| KOM      | PC80       |          | SEALED | 1.181    | 6.811    | 1.811      | 3.713      | 6.063  | B1902-093             | B1901-039                | B1905-074         | B1904-173           | B1903-173           | C5126                  | B1904-175               | B1903-177               | C6190                      | 204050       | 56-0146    | A2392-165    | B1900-021         | D1054-025      | A2656-165             | B2543-002         | 43072          | 22-165                         |
| KOM      | PC800      |          | SEALED | 2.185    | 12.614   | 3.445      | 8.504      | 10.250 | B1902-109             | B1901-048                | N/A               | B1904-640           | B1903-484           | C5125                  | B1904-639               | B1903-486               | C6126                      |              | 56-0146    | A2392-406    | B1900-007         | D1092-008      |                       |                   |                | 22-406                         |
| KOM      | PC80-1     |          | SEALED | 1.181    | 6.535    | 1.819      | 3.713      | 6.062  | B1902-170             | B1901-155                | N/A               | B1904-628           | B1903-505           | C5110                  | B1904-627               | B1903-581               | C6011A                     |              | 56-0146    | A2392-380    | B1900-021         | D1054-025      |                       |                   |                | 22-380                         |
| KOM      | PC80-3     |          | SEALED | 1.181    | 6.535    | 1.819      | 3.713      | 6.062  | B1902-170             | B1901-155                | N/A               | B1904-628           | B1903-505           | C5110                  | B1904-627               | B1903-581               | C6011A                     |              | 56-0146    | A2392-380    | B1900-021         | D1054-025      |                       |                   |                | 22-380                         |
| LINKBELT | 210X2      |          | GREASE | 1.441    | 8.272    | 2.318      | 5.325      | 7.500  | B1902-075             | B1901-169                | N/A               | B1904-360           | B1903-360           |                        | B1904-683               | B1903-141               |                            |              |            |              |                   |                |                       |                   |                |                                |
| VOLVO    | EC150LC    |          |        | 1.496    | 8.188    | 2.323      | 5.724      | 7.500  | B1902-271             | B1901-162                | N/A               | B1904-407           | B1903-375           | C5095                  | B1904-648               | B1903-349               | C6281                      |              | 56-0146    |              | B1900-005         | TBA            |                       |                   |                |                                |